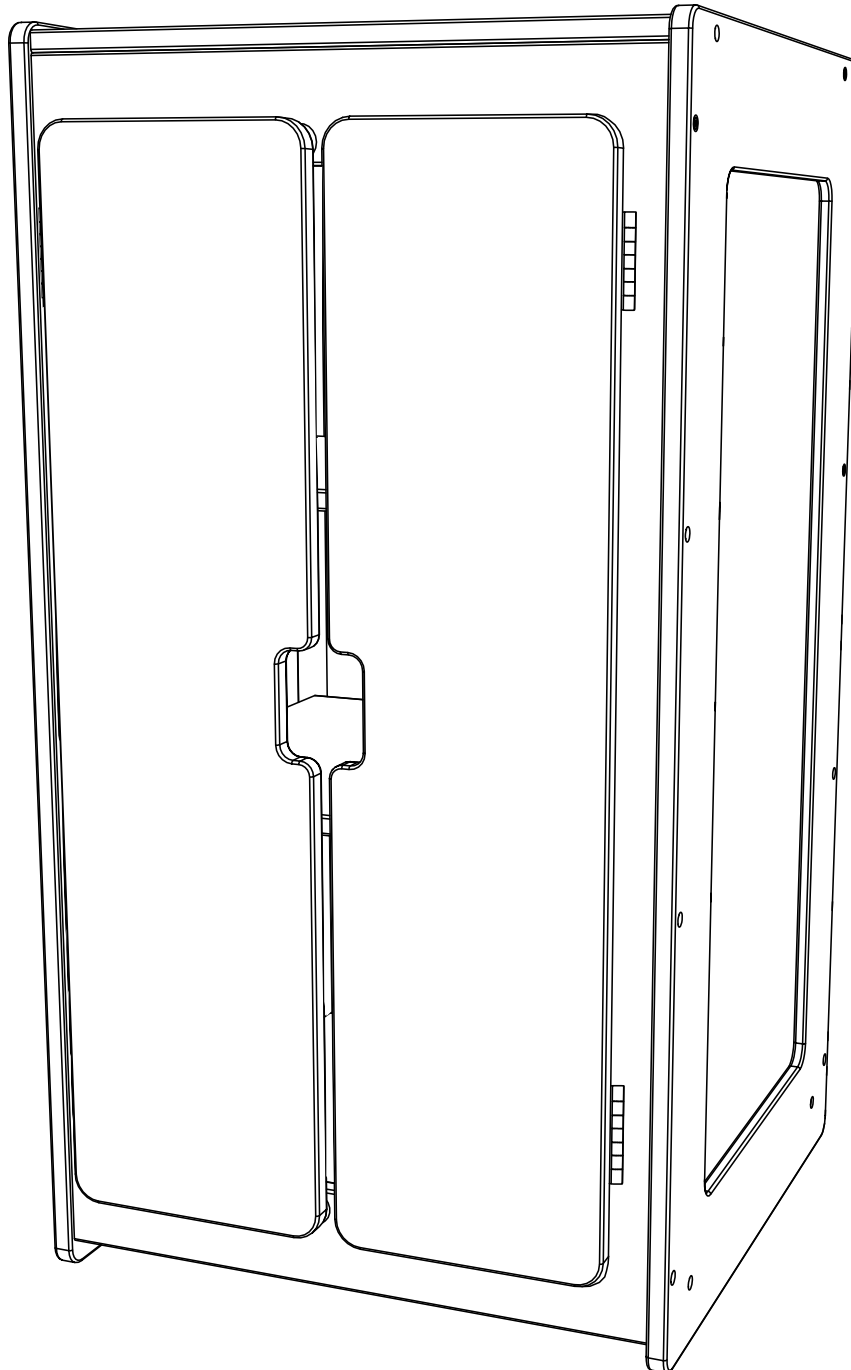


# Make-Believe Fridge



## Assembly Guide

Check out our other products online at [www.copernicused.com](http://www.copernicused.com)  
For assistance, please contact us by telephone at 1-800-267-8494 or email at [info@copernicused.com](mailto:info@copernicused.com).  
Have your packing slip ready for reference.



**Do Not Use Power  
Tools for assembly**



# Customer Service & Warranty Information

Dear Educator,

Thank you for purchasing the Make-Believe Fridge. We hope it meets your expectations and you and your students enjoy using it at your school.

Every day we see and hear stories of teachers going above and beyond to help students thrive. Thank you so much for all you do – you are awesome, and you make a difference.

Thank you for inspiring us.

If you have any questions, concerns or ideas on how we can improve please let us know by contacting our Customer Solutions Ninjas at 1-800-267-8494 or [info@copernicused.com](mailto:info@copernicused.com).

Happy teaching,

Kaylyn Belcourt, President  
[kaylyn@copernicused.com](mailto:kaylyn@copernicused.com)



We do not inherit the earth from our ancestors, we borrow it from our children.

- NATIVE AMERICAN PROVERB

Change is the end result of all true learning.

- LEO BUSCAGLIA

What you leave behind is not what is engraved in stone monuments, but what is woven into the lives of others.

- PERICLES

Education is the most powerful weapon which you can use to change the world.

- NELSON MANDELA

For missing parts and other issues regarding your product: Please contact Customer Service, where we will be happy to help. Telephone: 1-800-267-8494, Monday - Friday 8:00am - 4:30 pm EST Email: [info@copernicused.com](mailto:info@copernicused.com)

Need Support?  
Have a Question?



Email Customer Service

Check out some of our other great products!



[www.copernicused.com](http://www.copernicused.com)



## Register your Product

Registering your warranty ensures we have all the information we need to make any future warranty claims quick and easy. Please visit [www.copernicused.com/warranty](http://www.copernicused.com/warranty) and complete the form within 10 business days from product assembly. By registering your product, you will be entered into a draw to win Copernicus product.

## Make a Warranty Claim

We offer a Lifetime Warranty on almost everything we make. Please call 1-800-267-8494 or email [info@copernicused.com](mailto:info@copernicused.com) to start your warranty claim. Proof of purchase will be required upon warranty claim (i.e. copy of invoice).

## Replace your Whiteboard

Have a well-used whiteboard that needs replacing? Our whiteboards carry a five-year warranty and replacement parts program after the warranty period. Please call 1-800-267-8494 or email [info@copernicused.com](mailto:info@copernicused.com) to get a new whiteboard for your Copernicus product!

## Bamboo Variations

Bamboo has natural variations that are considered normal and are not covered under warranty (i.e. grain irregularities, knots, color). For more information, visit our website at [www.copernicused.com/lifetime-warranty](http://www.copernicused.com/lifetime-warranty).

# Tips for Assembly

## Before You Begin:

- Lay out and identify all of the included parts.
- The hardware has been packed according to step
- Read the assembly guide over once to familiarize yourself with them.

## As You Assemble the Unit:

- Follow the steps in sequence.
- Before beginning each step, find the part(s) that you need for that step.
- The title of each step states what you will be doing. Review the text and the pictures as you build the unit.

## Watch for These Helpful Symbols:



2-Person Task

For safety, please have someone help you when working on steps displaying this symbol.



The symbol denotes a step needing extra attention to ensure it is done correctly.



# Important Information! Warning!

Please read the warnings below for important safety information regarding your product. Failure to read these warnings or to follow the instructions below could result in personal injury or damage to your product that could void your warranty.



### Small Parts

In its unassembled state, this product contains parts that can be hazardous to small children. This product should be assembled by an adult.



### Adult Supervision

This product is to be used under the supervision of an adult.



### Climb Hazard

Do not climb on, hang from or suspend objects from any components of your product unless otherwise specified.



### Indoor Use Only

This product is intended for indoor commercial use only. To reduce the risk of fire or electric shock, do not expose this product to rain or moisture. The internal components are not sealed from the environment.



### Do Not Use Power Tools

This product is not intended to be assembled with the use of power tools. Please use specified hand tools only, failure to do so may result in damage to the product.



# Bamboo Maintenance

When needed, wipe down with mild soapy water. A mild disinfectant can be used. A mild bleach water solution (1:50) can also be used. Wipe cleaning solution off after application.

Recommended cleaning frequency is once monthly, and at minimum, once per school year.

DO NOT leave standing water or cleaning solutions on the bamboo surface.  
DO NOT use harsh chemicals to clean surfaces.

# Parts

Before beginning, you should have:

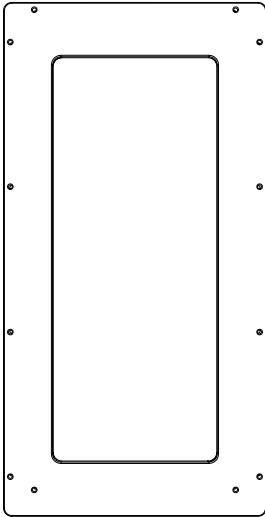
Additional tools required:

Screwdriver  
⊕

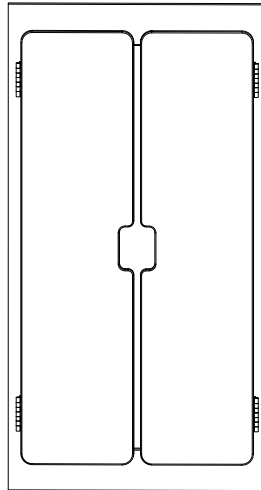
Rubber Mallet 1x 

Box 1

Side Panel Whiteboard  
2x

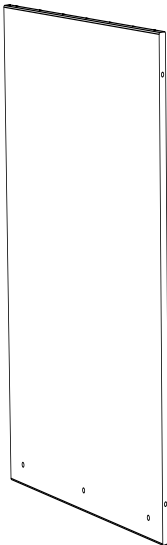


Front Panel  
1x

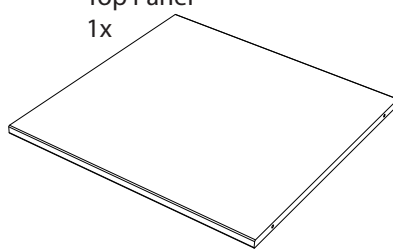


In Box 1

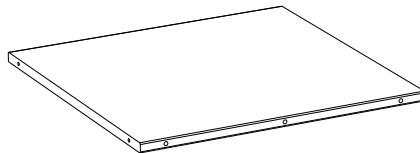
Back Panel  
1x



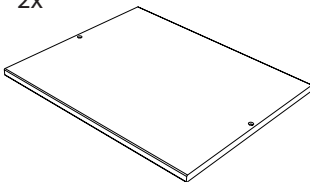
Top Panel  
1x



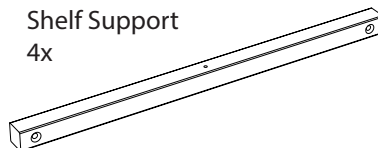
Bottom Panel  
1x



Shelf  
2x



Shelf Support  
4x



Hardware  
Actual Size

(A) M7 x 38 Self Tapping Screw  
24x



(B) Wooden Peg  
6x



(C) M5 x 30 Self Tapping Screw  
12x





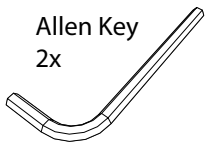
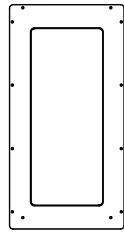
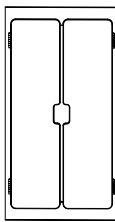
Tools  
(Not to Scale)

Allen Key  
(43281)  
2x



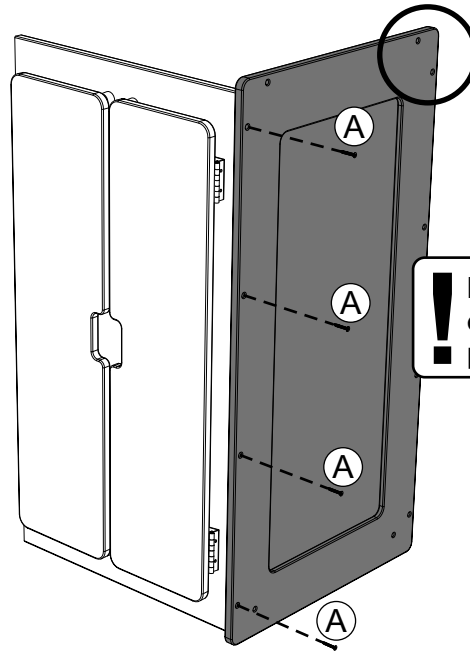
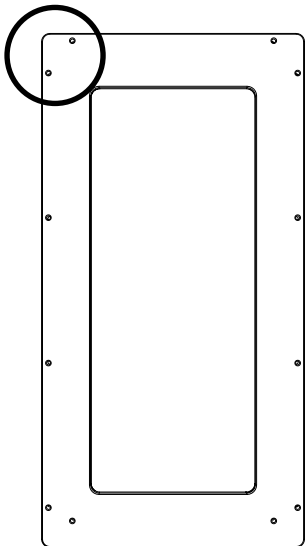
Allen Key  
Small  
1x





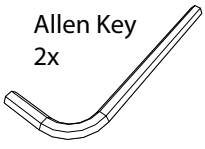
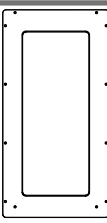
 <p>2-Person Task</p>	<p>1</p>	<p>Actual Size:</p>  <p>(A) 4x</p>	<p>You will need: (Not to Scale)</p>  <p>Allen Key 2x</p>	<p>Side Panel Whiteboard 1x</p> 	<p>Front Panel 1x</p> 

## Assemble the whiteboard side panel to the front panel

**Side Panel Top**  
(Note hole orientation on frame)

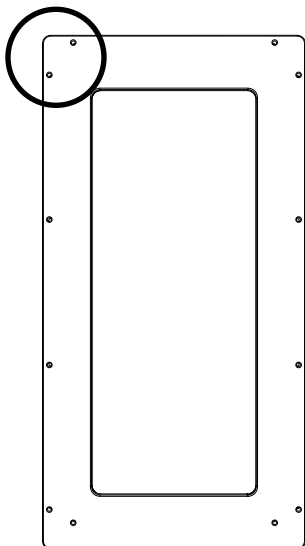


**! Note orientation of holes on side panel**

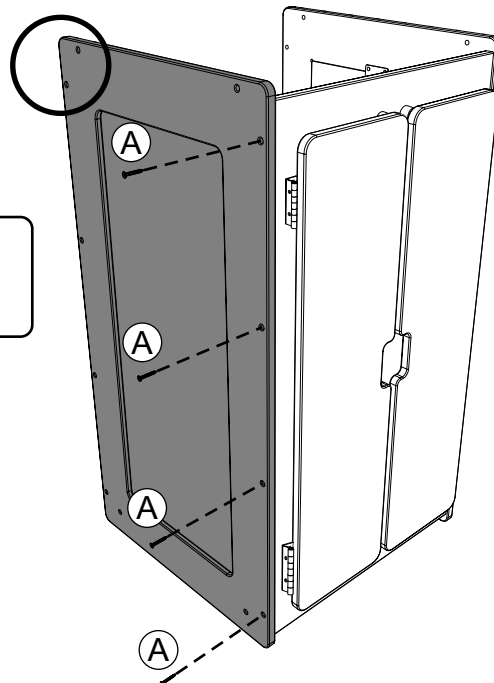
 <p>2-Person Task</p>	<p>2</p>	<p>Actual Size:</p>  <p>(A) 4x</p>	<p>You will need: (Not to Scale)</p>  <p>Allen Key 2x</p>	<p>Side Panel Whiteboard 1x</p> 

## Attach the second side panel

**Side Panel Top**  
(Note hole orientation on frame)

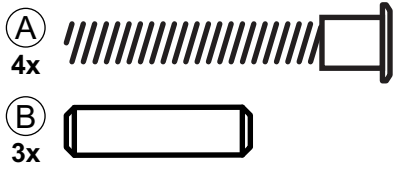


**! Note orientation of holes on side panel**

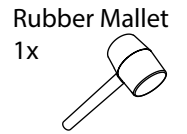
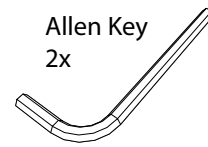
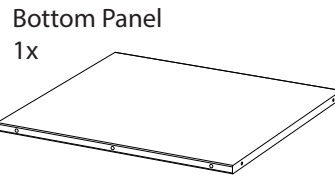


3

Actual Size:

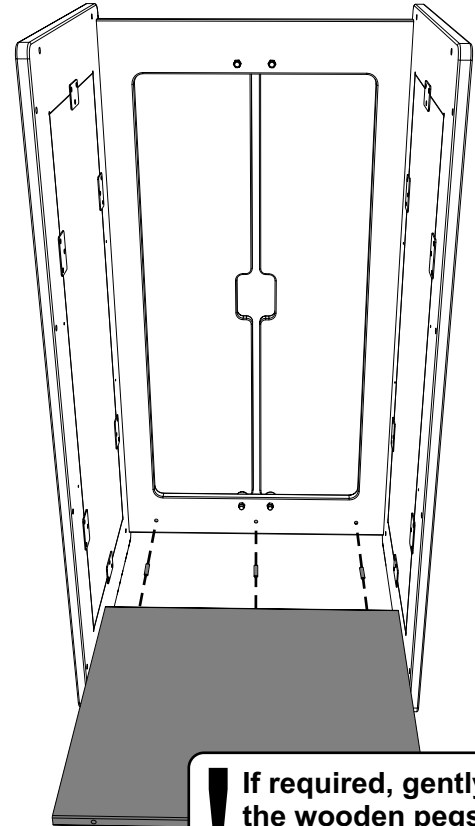
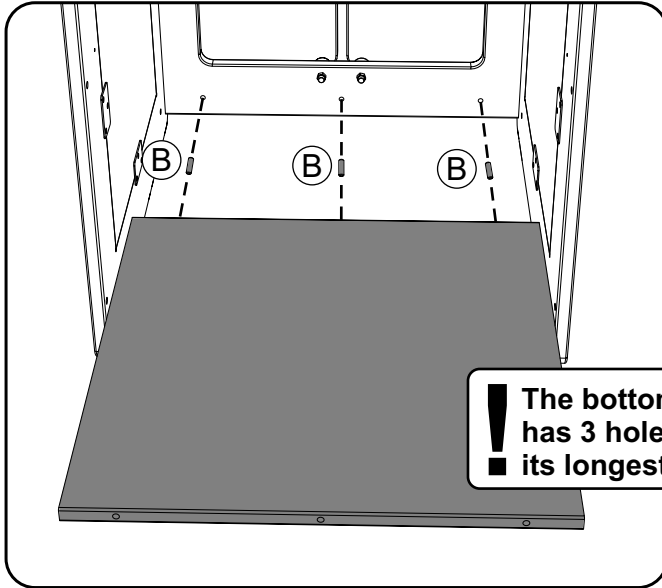


You will need: (Not to Scale)

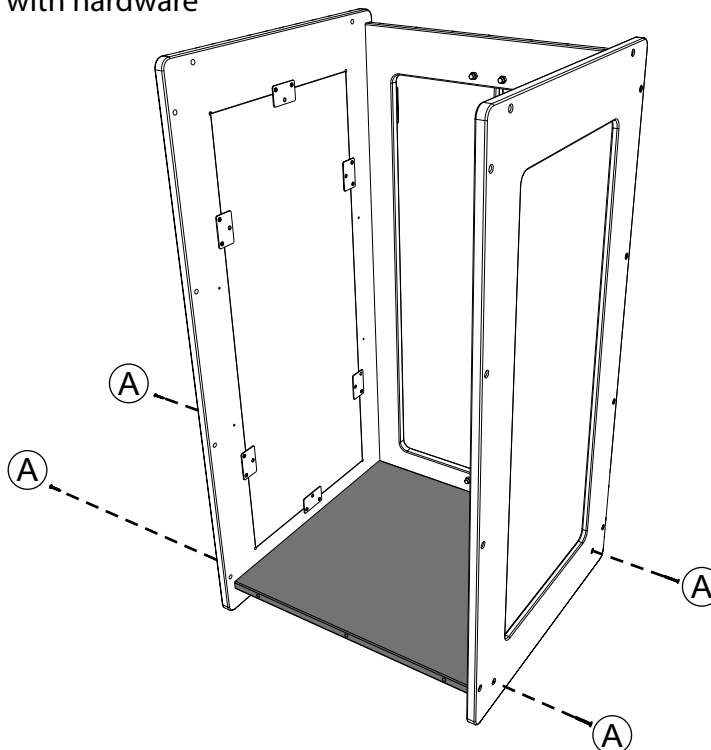


## Attach the bottom panel

- 1 First use the wooden pegs to secure the panel in position



- 2 Secure panel with hardware



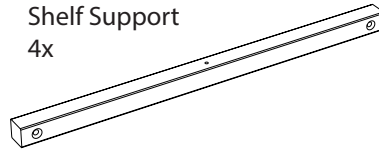
4

Actual Size:



You will need: (Not to Scale)

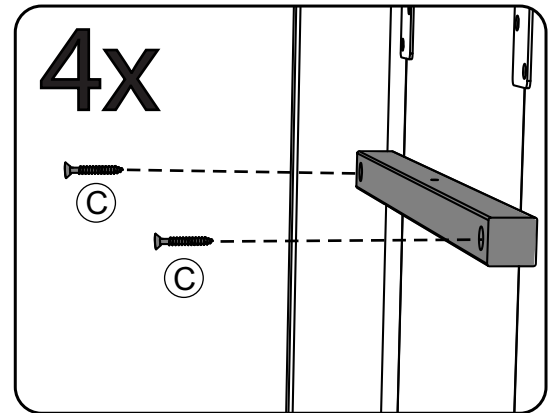
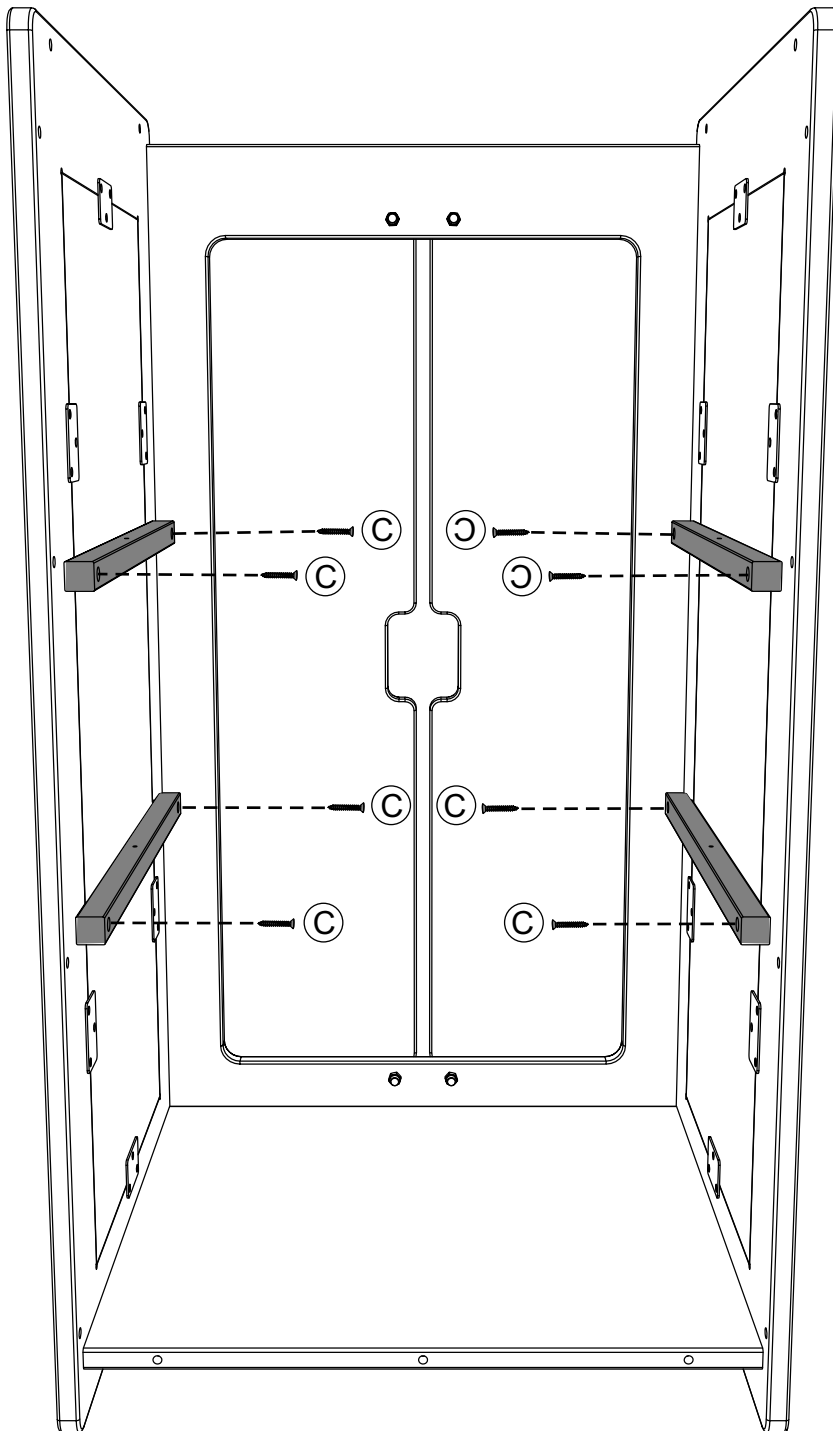
Shelf Support  
4x



Allen Key  
Small  
1x



### Attach the shelf supports



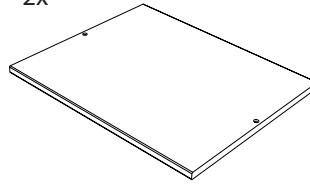
5

Actual Size:



You will need: (Not to Scale)

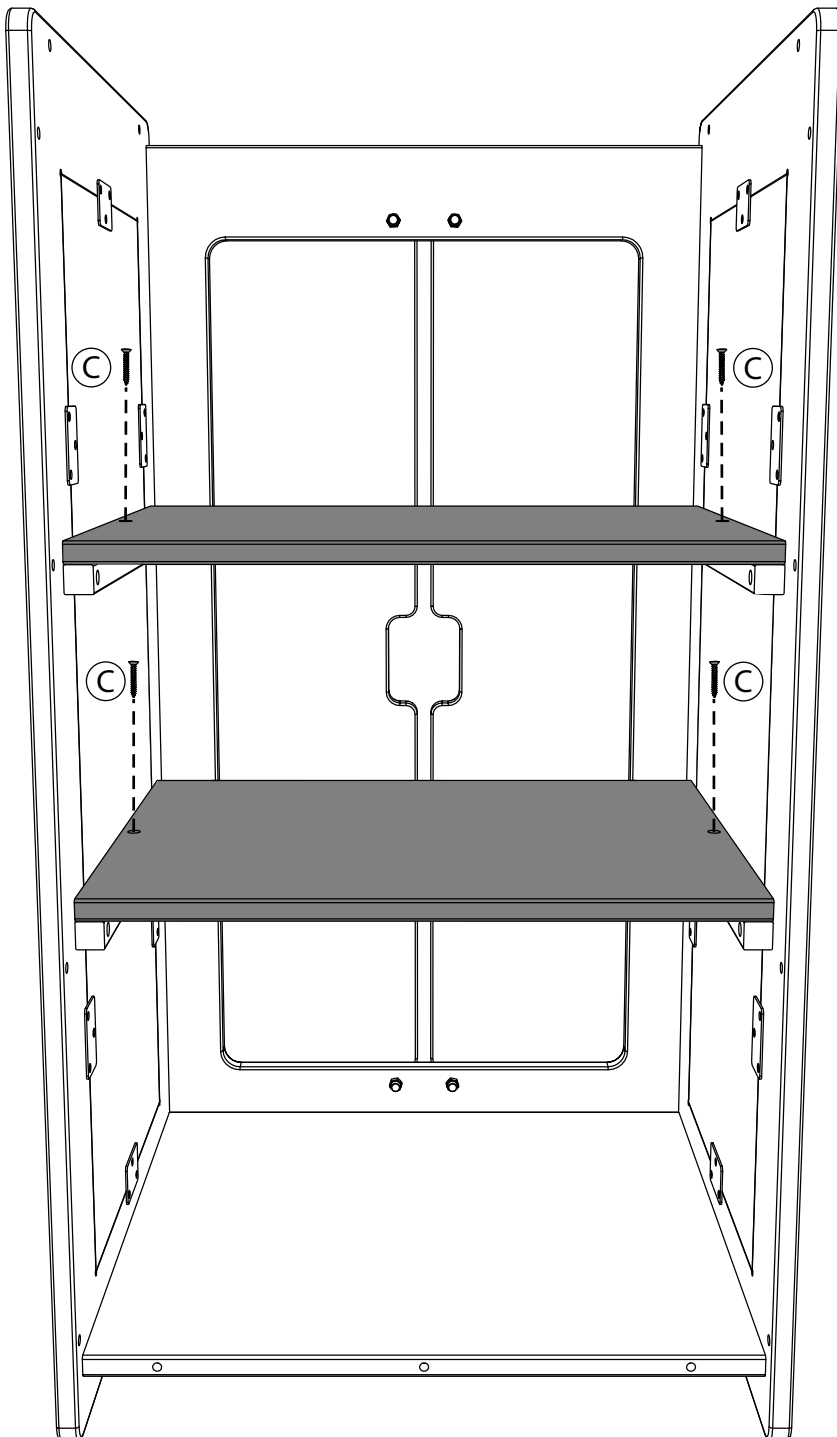
Shelf  
2x



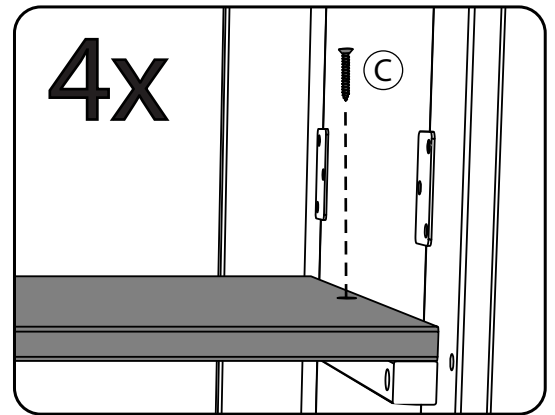
Allen Key  
Small  
1x



## Attach the shelves



**!** Ensure the countersunk holes face upwards when installing





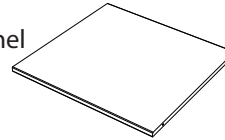
6

Actual Size:

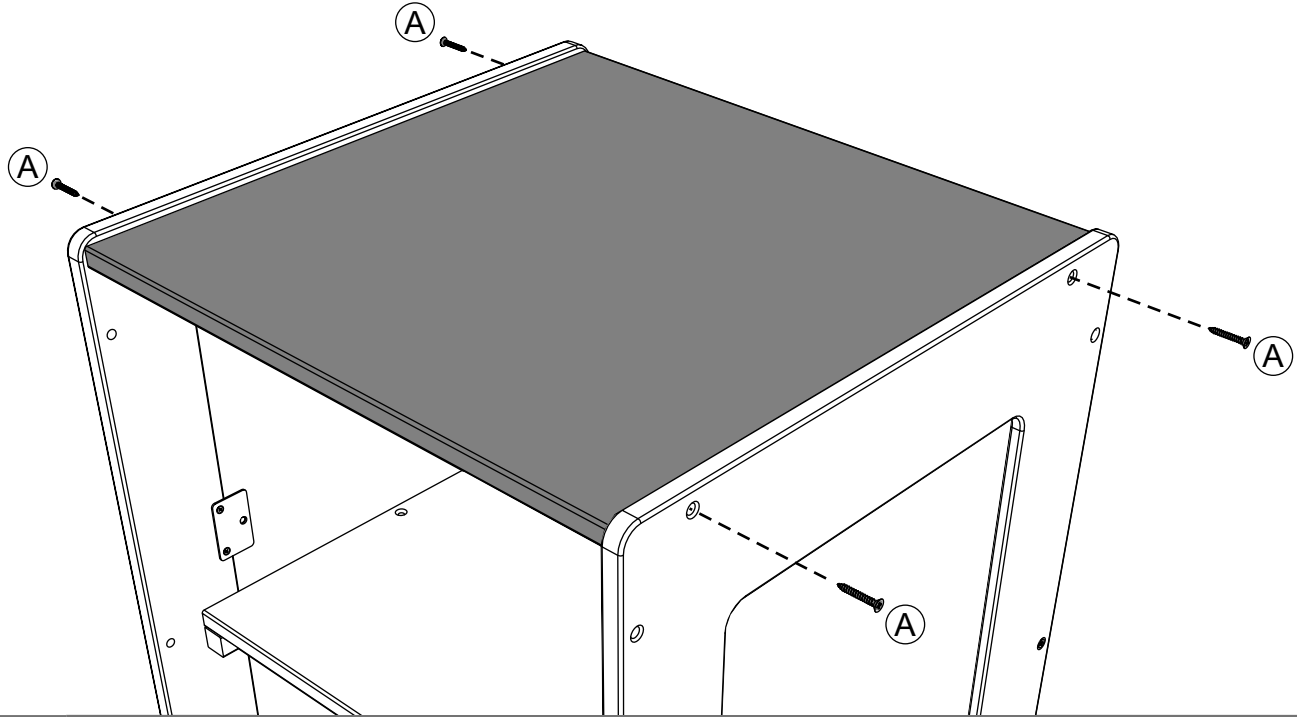


You will need: (Not to Scale)

Top Panel  
1x



### Assemble the top panel to the body



Actual Size:



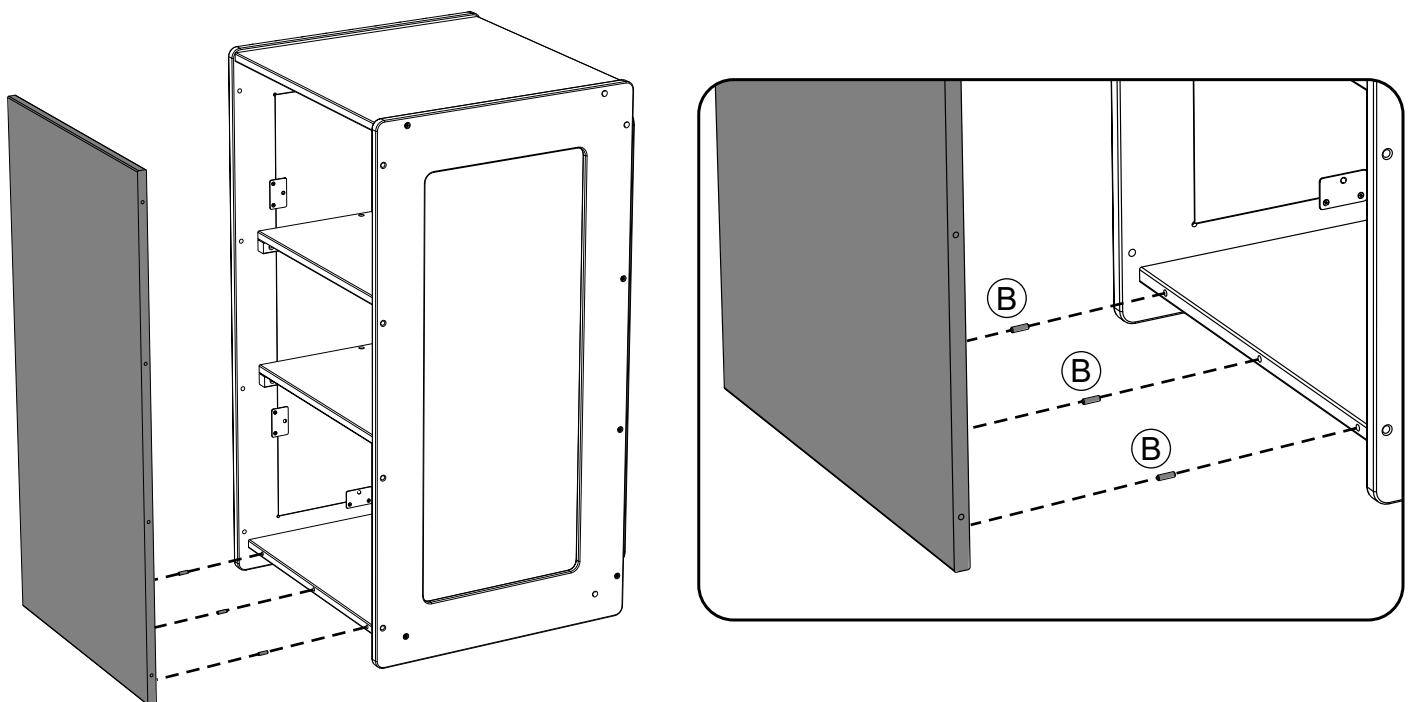
You will need: (Not to Scale)

Back Panel  
1x



7  
2-Person Task

### Use the wooden pegs to secure the back panel in position



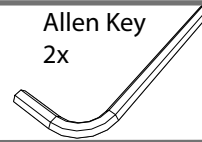
8

Actual Size:

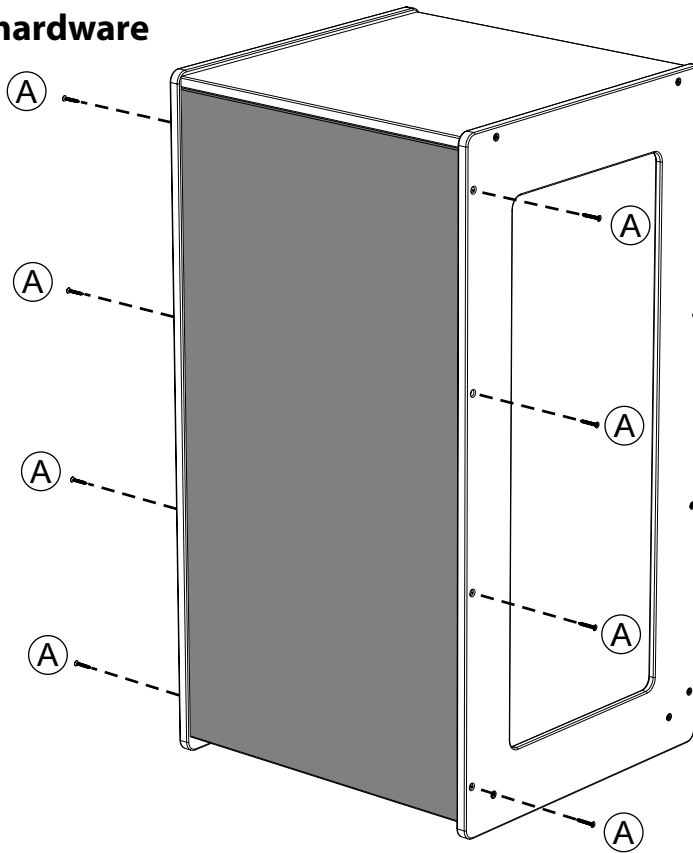


You will need: (Not to Scale)

Allen Key  
2x



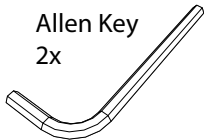
### Install back panel hardware



9

You will need: (Not to Scale)

Allen Key  
2x



### Final Assembly Checks

Check entire assembly for loose parts; tighten all , bolts and screws

