

DMS06
DMS07

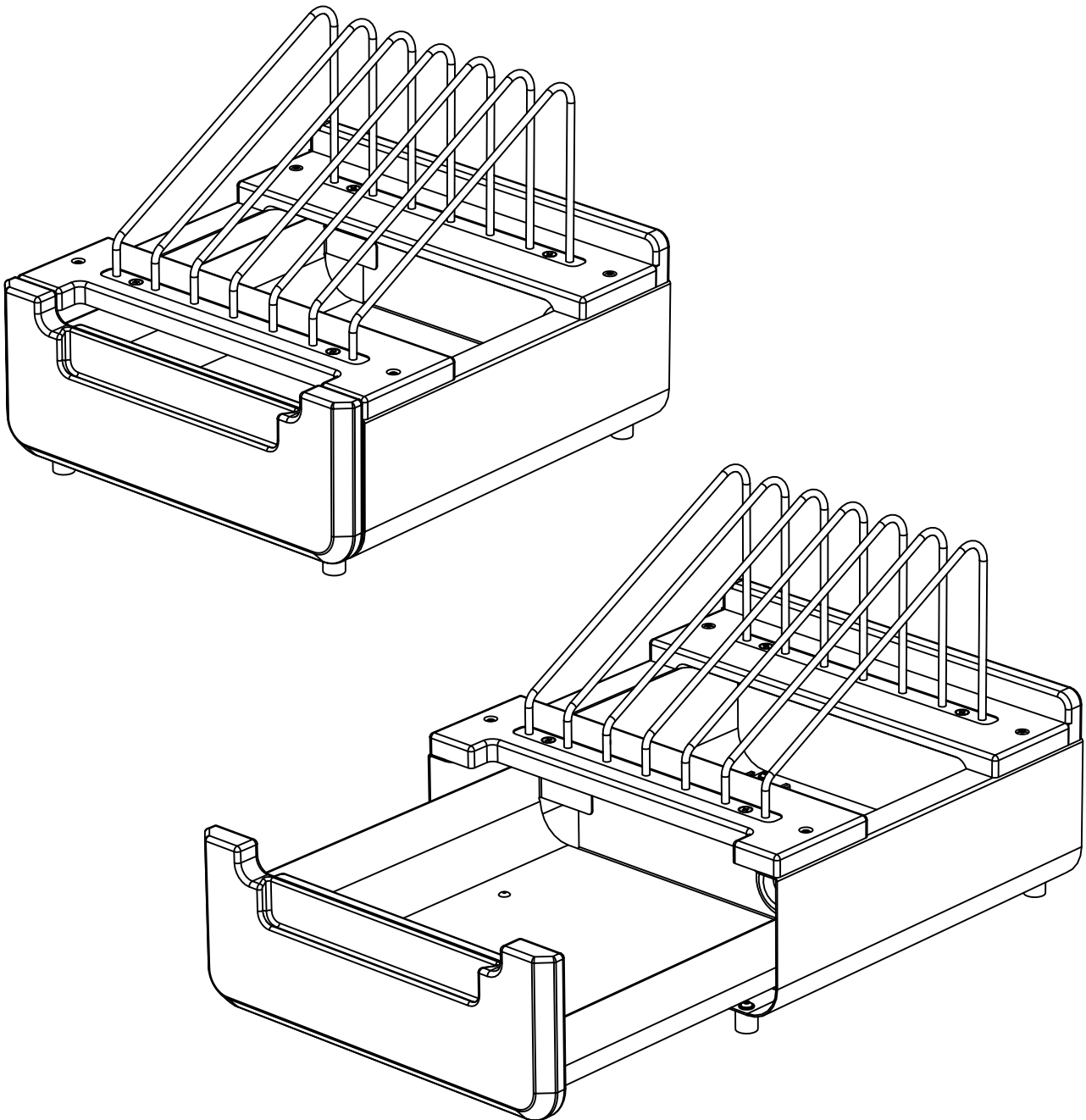
Device Management Stand - holds 6 devices



Assembly Guide

Check out our other products online at www.copernicused.com

For assistance, please contact us by telephone at **1-800-267-8494** or email at info@copernicused.com.
Have your packing slip ready for reference.



Please Recycle

Customer Service & Warranty Information

Dear Educator,

Thank you for purchasing the Device Management Stand. We hope it meets your expectations and you and your students enjoy using it at your school.

Every day we see and hear stories of teachers going above and beyond to help students thrive. Thank you so much for all you do – you are awesome, and you make a difference.

Thank you for inspiring us.

If you have any questions, concerns or ideas on how we can improve please let us know by contacting our Customer Solutions Ninjas at 1-800-267-8494 or info@copernicused.com.

Happy teaching,

Kaylyn Belcourt, President
kaylyn@copernicused.com



We do not inherit the earth from our ancestors, we borrow it from our children.

- NATIVE AMERICAN PROVERB

Change is the end result of all true learning.

- LEO BUSCAGLIA

What you leave behind is not what is engraved in stone monuments, but what is woven into the lives of others.

- PERICLES

Education is the most powerful weapon which you can use to change the world.

- NELSON MANDELA

For missing parts and other issues regarding your product:

Please contact Customer Service, where we will be happy to help.
Telephone: 1-800-267-8494, Monday - Friday 8:00am - 4:30 pm EST
Email: info@copernicused.com

My devices aren't working, who should I call?

Please contact the reseller that you bought the product from.
Reseller information can be found on your packing slip.

Need Support? Have a Question?



Email Customer Service

Check out some of our other great products!



www.copernicused.com



Register your Product

Registering your warranty ensures we have all the information we need to make any future warranty claims quick and easy. Please visit www.copernicused.com/warranty and complete the form within 10 business days from product assembly. By registering your product, you will be entered into a draw to win Copernicus product.

Make a Warranty Claim

We offer a Lifetime Warranty on almost everything we make. Please call **1-800-267-8494** or email info@copernicused.com to start your warranty claim. Proof of purchase will be required upon warranty claim (i.e. copy of invoice).

Bamboo Variations

Bamboo has natural variations that are considered normal and are not covered under warranty (i.e. grain irregularities, knots, color). For more information, visit our website at www.copernicused.com/lifetime-warranty.

Tips for Assembly

Before You Begin:

- Lay out and identify all of the included parts.
- Read the assembly guide over once to familiarize yourself with them.

As You Assemble the Unit:

- Follow the steps in sequence.
- Before beginning each step, find the part(s) that you need for that step.
- The title of each step states what you will be doing. Review the text and the pictures as you build the unit.

Watch for These Helpful Symbols:



The symbol denotes a step needing extra attention to ensure it is done correctly.



Important Information! Warning!

Please read the warnings below for important safety information regarding your product. Failure to read these warnings or to follow the instructions below could result in personal injury or damage to your product that could void your warranty.



Small Parts

In its unassembled state, this product contains parts that can be hazardous to small children. This product should be assembled by an adult.



Adult Supervision

This product is to be used under the supervision of an adult.



Indoor Use Only

This product is intended for indoor commercial use only. To reduce the risk of fire or electric shock, do not expose this product to rain or moisture. The internal components are not sealed from the environment.



Power Strip Specifications

Read your power strip electrical specifications. Only plug in devices that are approved for use with this power strip. Connect the supplied power strip directly to a wall outlet.

Do not connect to another power strip or use an extension cord. Turn off power strip before unplugging. Unplug when not in use.



Electronic Equipment

Read the electrical specifications of any electronic equipment you are using with your Copernicus products. Failure to read these specifications and follow their instructions could result in damage to your equipment or personal injury.



Cable Trip Hazard

Ensure that any cables extending across the floor to your product are properly bundled and marked to avoid tripping or falling which may lead to personal injury.



Electrical Shock

Do not install or use the electrical components of this unit during a lightning storm.



Counter Shelf Depth

Do not place or mount this product to a shelf or counter that is less than 33.5cm (13-1/4") in depth.



Bamboo Maintenance

When needed, wipe down with mild soapy water. A mild disinfectant can be used. A mild bleach water solution (1:50) can also be used. Wipe cleaning solution off after application.

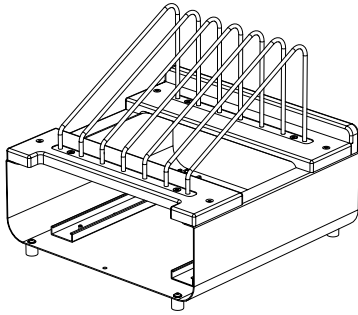
Recommended cleaning frequency is once monthly, and at minimum, once per school year.

DO NOT leave standing water or cleaning solutions on the bamboo surface.
DO NOT use harsh chemicals to clean surfaces.

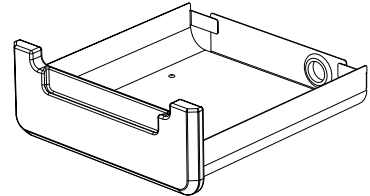
Parts

Before beginning, you should have:

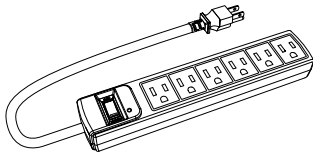
Base
x1



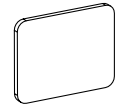
Drawer
x1



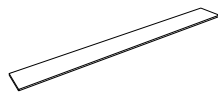
Powerstrip
(255153)
x1



Double Sided Foam Tape
x2



Hook & Loop Straps
(43321)
x6



Adapter Extension Cable
(255155)
x6
DMS07 only



1

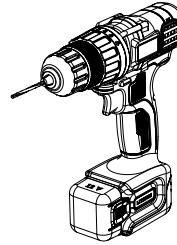
You will need:

! Hardware and tools not included for this optional step.



#8 or #10 Screws
2x

*Choose the appropriate screw type for the surface.



Drill
1x

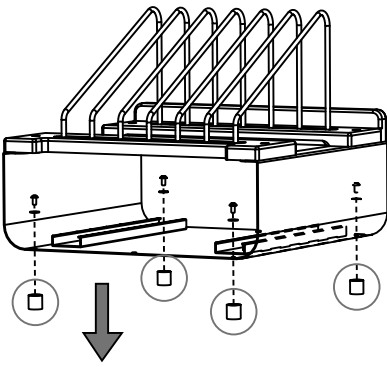
2.5mm Allen Key
1x



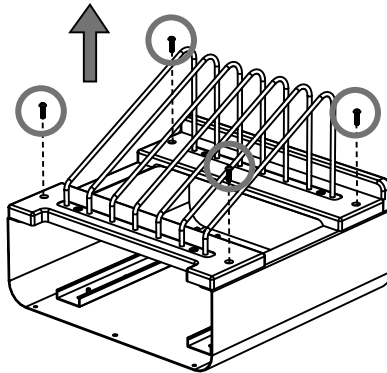
! OPTIONAL: Mount to surface **!** Skip to Step #2 if you are not mounting to surface

1 Remove feet

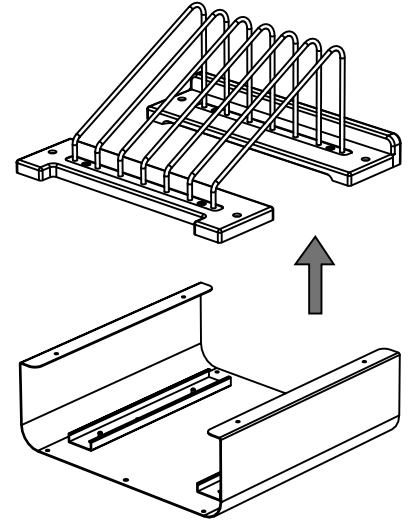
! Minimum surface depth for product is 33.5cm (13-1/4").



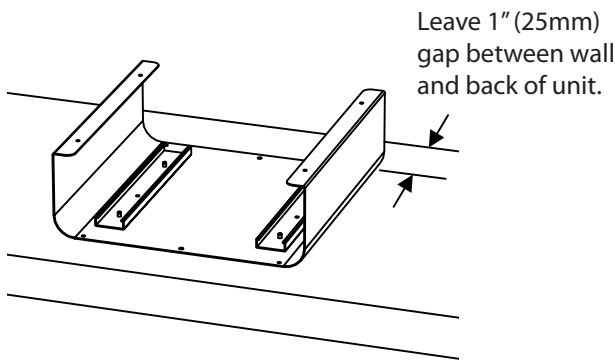
2 Remove screws



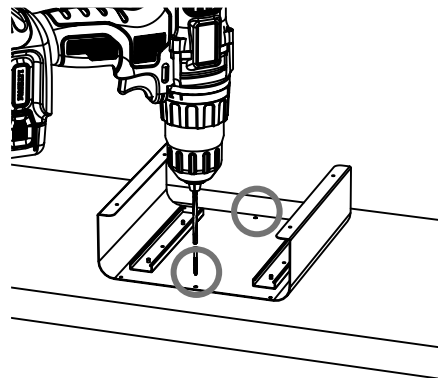
3 Remove top



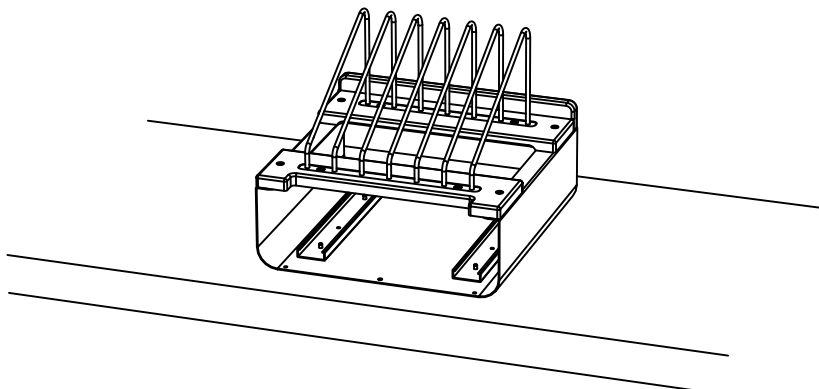
4 Place on surface



5 Mount to surface

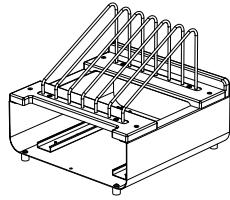


6 Re-install top

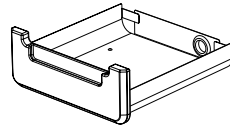


2

You will need: (Not to Scale)

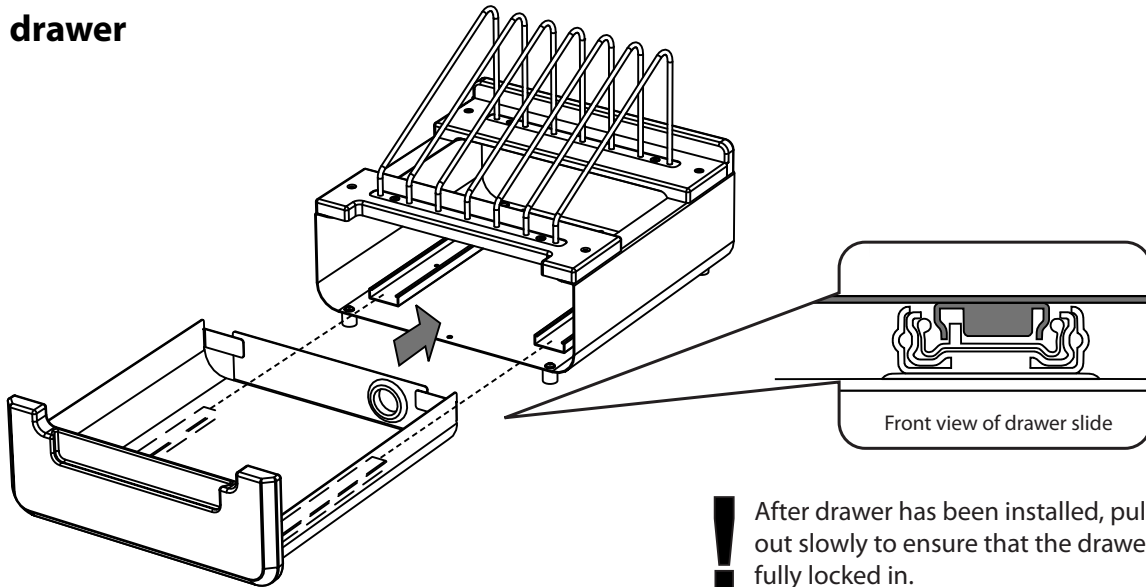


x1



x1

Install drawer

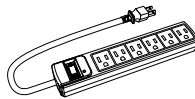


3

You will need: (Not to Scale)



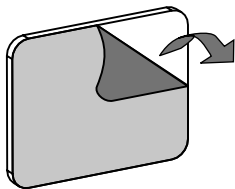
x2



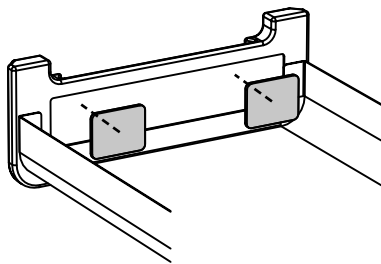
x1

Attach powerstrip

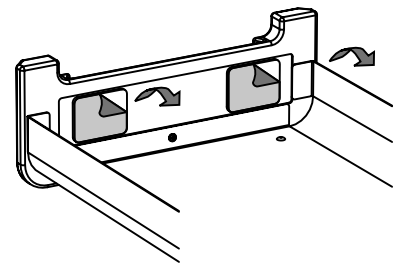
- 1 Remove backing from one side of tape. Repeat on other piece.



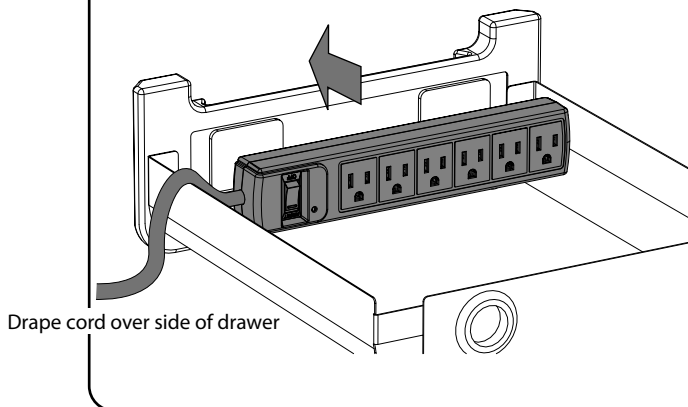
- 2 Apply sticky side of tape to recess on inner face of drawer



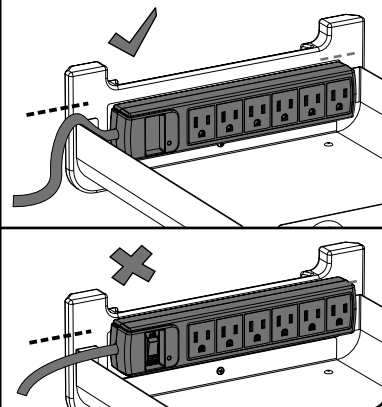
- 3 Remove remaining backing from both pieces of tape



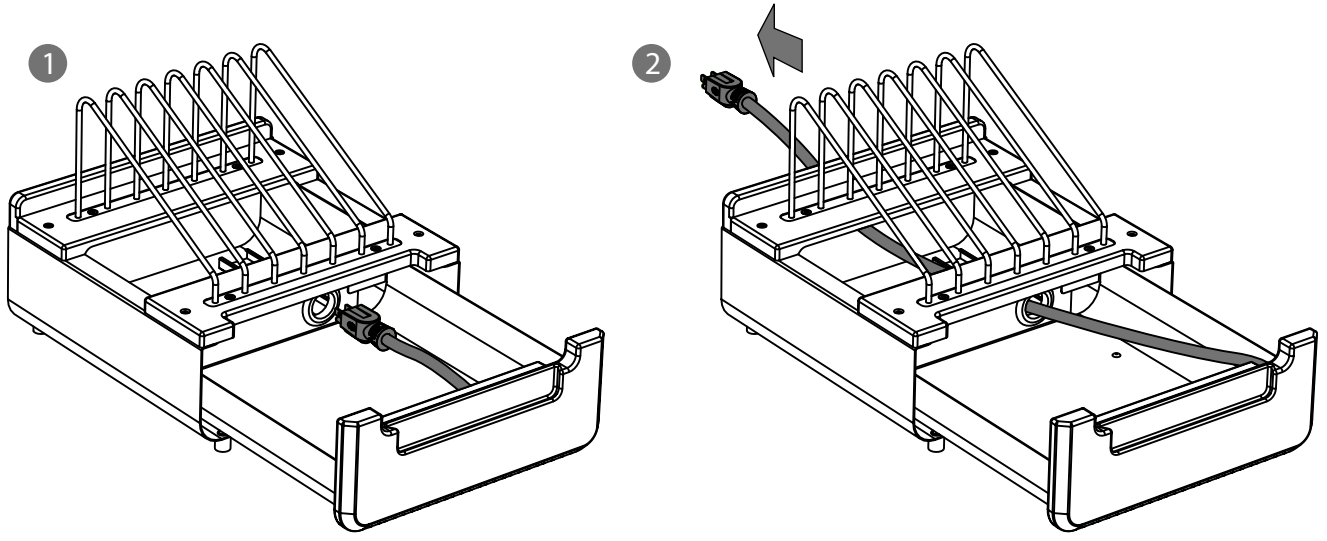
- 4 Apply powerstrip to tape



! Ensure that top of powerstrip is in line with top of recess. Do not apply above this line.



Feed powerstrip cable through grommet

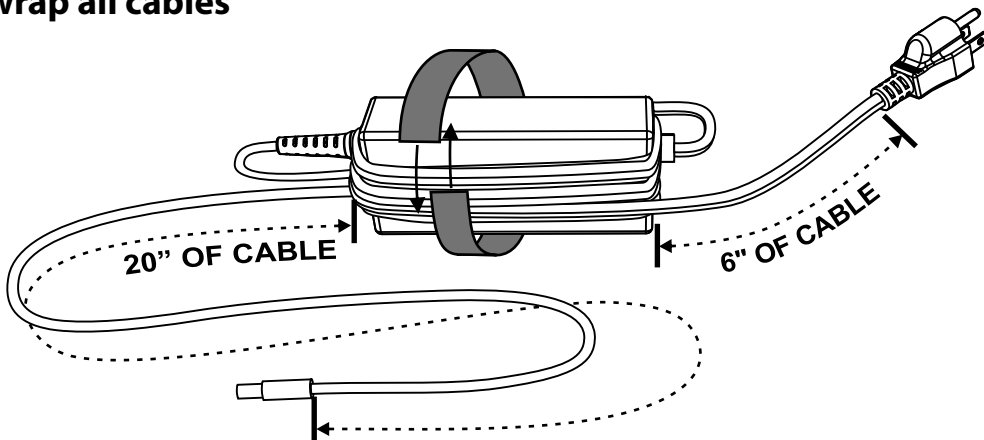


You will need: (Not to Scale)



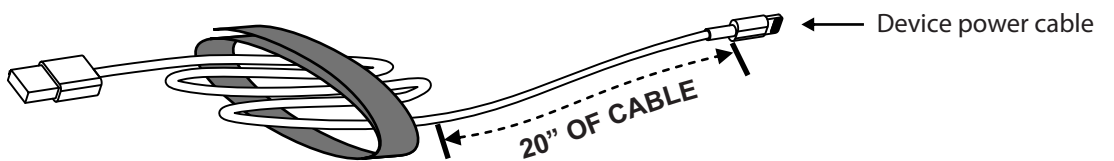
Hook & Loop Straps
x6

Bundle and wrap all cables



Chromebook and Laptop Power Adapters

OR



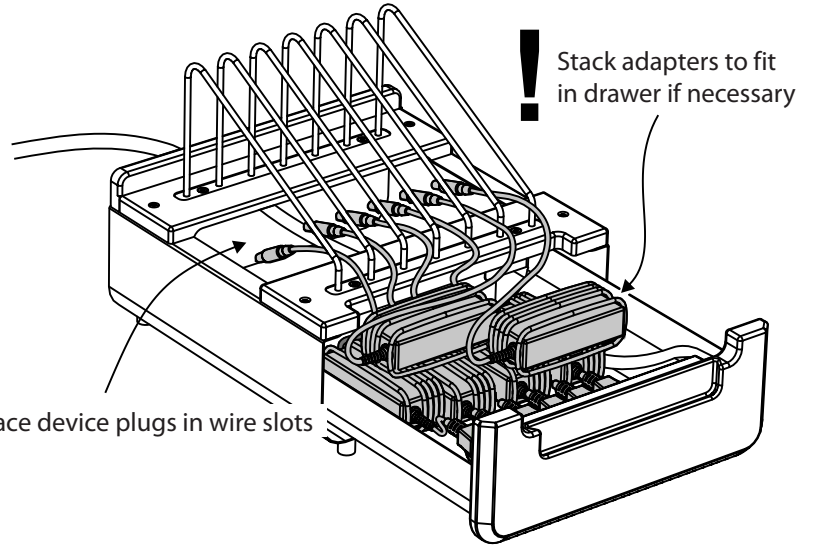
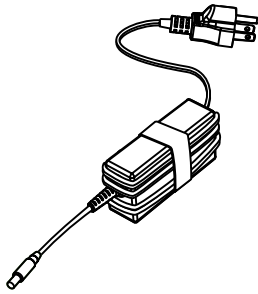
Apple iPad and tablet Power Cables



x6
DMS07 only

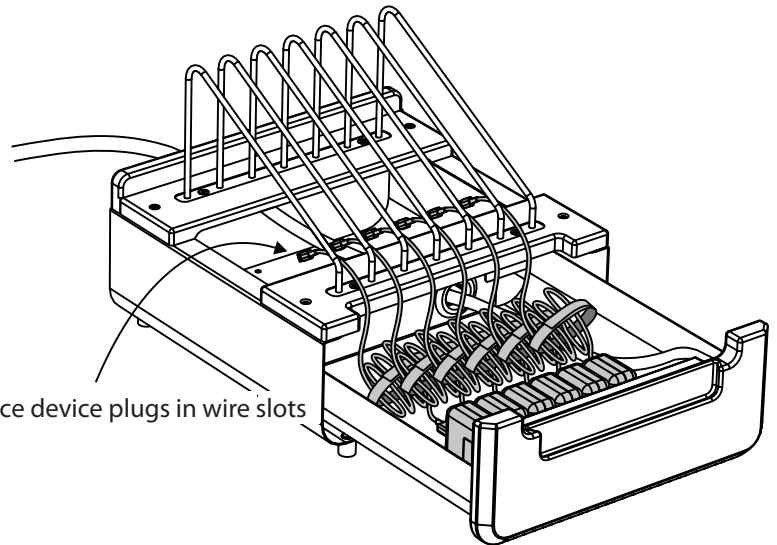
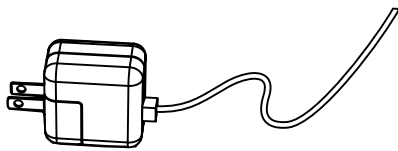
Plug in power adapters and store in drawer

Chromebook and laptop adapters



! Place device plugs in wire slots

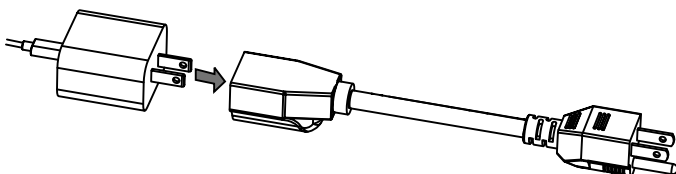
Tablet and iPad (12W or less) adapters



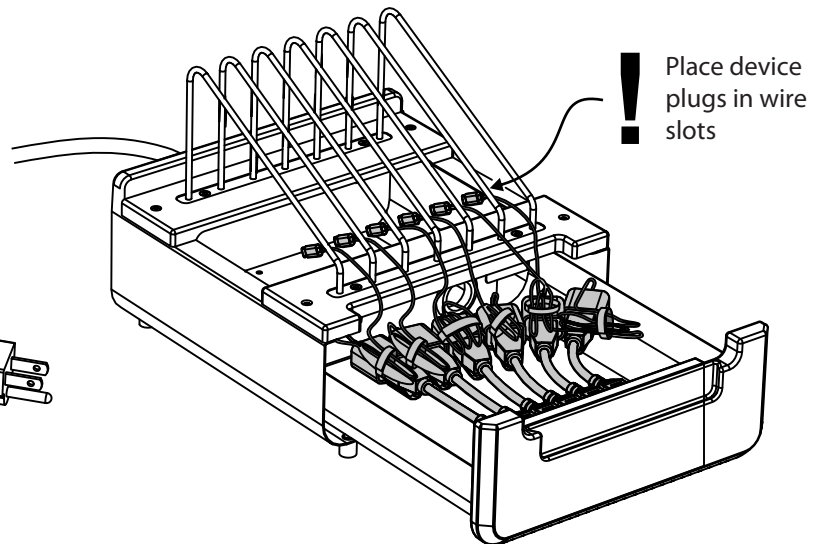
! Place device plugs in wire slots

DCS07 Only

20W iPad adapters

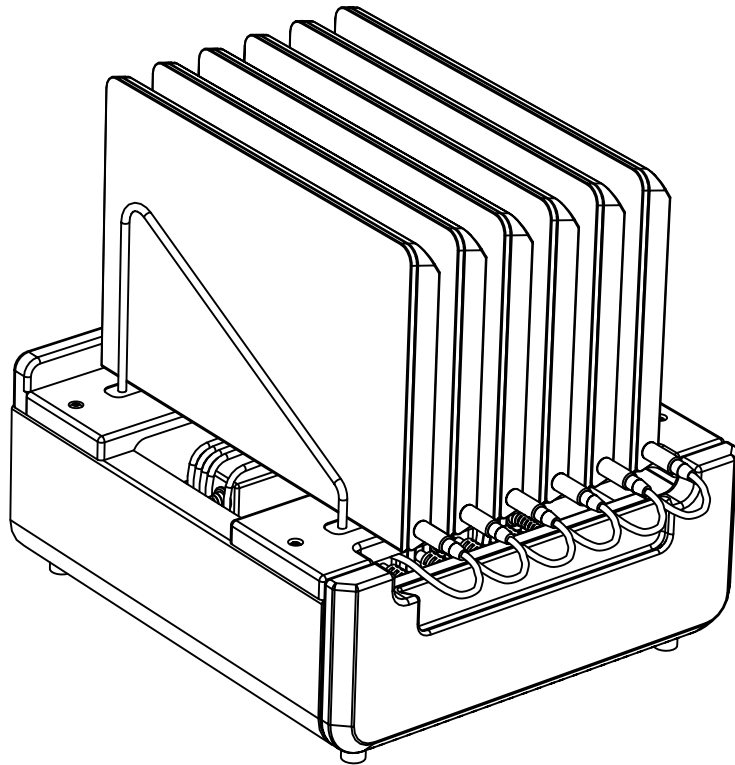


! Plug adapters into extension cords before plugging into power strip



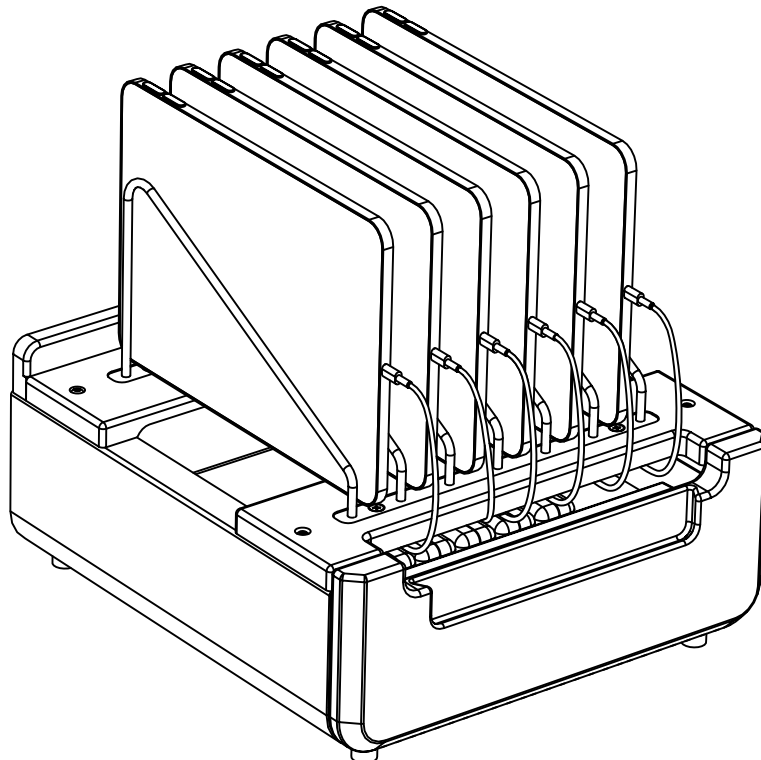
! Place device plugs in wire slots

Close drawer and plug in devices



Chromebook and laptop adapters

OR



20W iPad adapters