



Assembly Guide

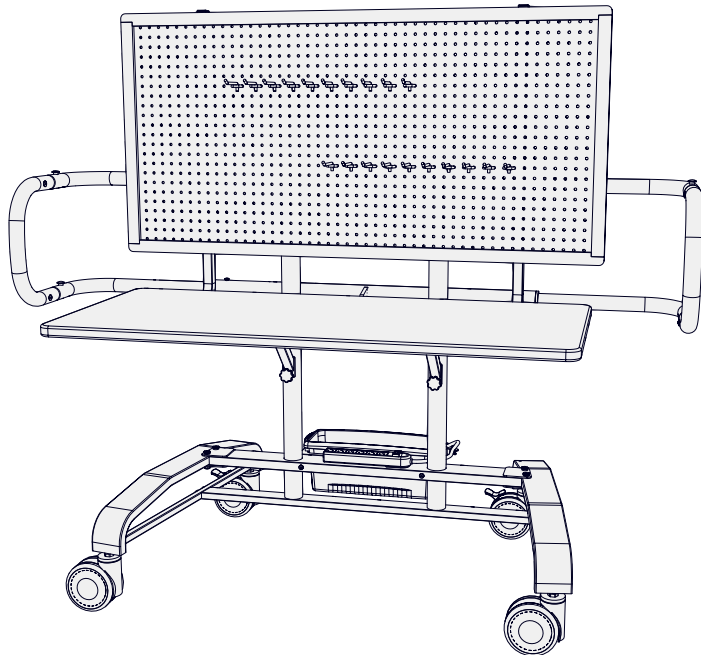
Check out our other products online at www.copernicused.com

For assistance, please contact us by telephone at **1-800-267-8494** or email at info@copernicused.com.
Have your packing slip ready for reference.

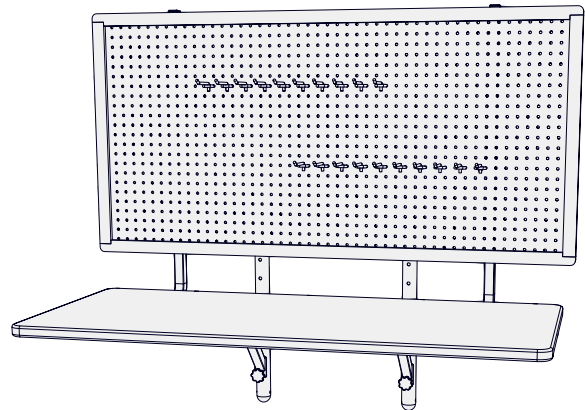
WARNING !

- This product is meant to be assembled by an adult.
- In its unassembled state, small parts present a hazard.
- To be used under direct supervision of an adult.
- This cart is intended for institutional use.

**Complete IFP Base STEM Work Station
(IFPSTEM01)**



**STEM Work Station Conversion Kit
(IFPSTEM-CK)**



IFPSTEM01 is a complete STEM Work Station which includes IFP500 components + an IFPSTEM-CK.

IFPSTEM-CK is just the parts to make a STEM Work Station. For customers who converted their existing IFP500 into a wall mount, they can reuse remaining components to make this.

Customer Service & Warranty Information

Dear Educator,

Thank you for purchasing the STEM Work Station. We hope it meets your expectations and you and your students enjoy using it at your school. Every day we see and hear stories of teachers going above and beyond to help students thrive. Thank you so much for all you do – you are awesome, and you make a difference. Thank you for inspiring us.

If you have any questions, concerns or ideas on how we can improve please let us know by contacting our Customer Solutions Ninjas at 1-800-267-8494 or info@copernicused.com.

Happy teaching,

Kaylyn Belcourt, President
kaylyn@copernicused.com



We do not inherit the earth from our ancestors, we borrow it from our children.

- NATIVE AMERICAN PROVERB

Change is the end result of all true learning.

- LEO BUSCAGLIA

What you leave behind is not what is engraved in stone monuments, but what is woven into the lives of others.

- PERICLES

Education is the most powerful weapon which you can use to change the world.

- NELSON MANDELA

For missing parts and other issues regarding your product:

Please contact Customer Service, where we will be happy to help.
Telephone: 1-800-267-8494, Monday - Friday 8:00am - 4:30 pm EST
Email: info@copernicused.com

**Need Support?
Have a Question?**



[Email Customer Service](mailto:info@copernicused.com)

**Check out some of our
other great products!**



www.copernicused.com

My flat panel isn't working, who should I call?

Please contact the reseller that you bought the product from.
Reseller information can be found on your packing slip.



Register your Product

Registering your warranty ensures we have all the information we need to make any future warranty claims quick and easy. Please visit www.copernicused.com/warranty and complete the form within 10 business days from product assembly. By registering your product, you will be entered into a draw to win Copernicus product.

Make a Warranty Claim

We offer a Lifetime Warranty on almost everything we make. Please call 1-800-267-8494 or email info@copernicused.com to start your warranty claim. Proof of purchase will be required upon warranty claim (i.e. copy of invoice).

Tips for Assembly

Before You Begin:

- Lay out and identify all of the included parts.
- The hardware has been packed by step(s).
- Read the assembly guide over once to familiarize yourself with them.

As You Assemble the Unit:

- Follow the steps in sequence.
- Before beginning each step, find the part(s) that you need for that step.
- The title of each step states what you will be doing. Review the text and the pictures as you build the unit.

Watch for These Helpful Symbols:



2-Person Task

For safety, please have someone help you when working on steps displaying this symbol.



The symbol denotes a step needing extra attention to ensure it is done correctly.



Important Information! Warning!

Please read the warnings below for important safety information regarding your product. Failure to read these warnings or to follow the instructions below could result in personal injury or damage to your product that could void your warranty.



Small Parts

In its unassembled state, this product contains parts that can be hazardous to small children. This product should be assembled by an adult.



Adult Supervision

This product is to be used under the supervision of an adult.



Climb Hazard

Do not climb on, hang from or suspend objects from any components of your product unless otherwise specified.



Indoor Use Only

This product is intended for indoor commercial use only. To reduce the risk of fire or electric shock, do not expose this product to rain or moisture. The internal components are not sealed from the environment.

IFPSTEM01 - Parts

Before beginning, you should have:

Additional tools required:

Adjustable wrench (2x)



OR

7/16" Wrench (1x)
M13 Wrench (1x)

+

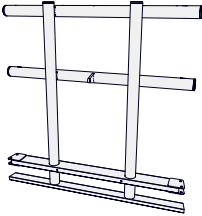
Screwdriver



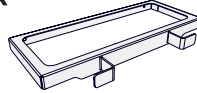
Phillips #2 or #3

Contents IFP500-0

Base Frame
(511011)
1x

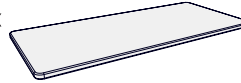


Bottom Shelf
(32340)
1x

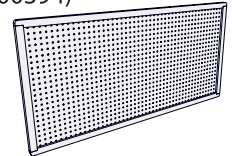


IFPSTEM-1

Table Top
(39041)
1x

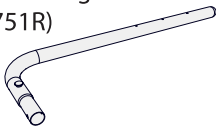


Pegboard
(2300394)
1x

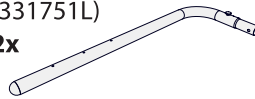


IFPSTEM-2

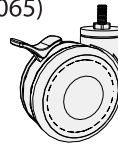
Protective Handle
Extension Right
(331751R)
2x



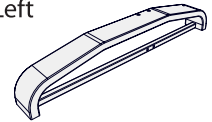
Protective Handle
Extension Left
(331751L)
2x



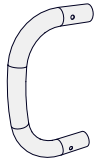
5" Locking Caster
(410065)
2x



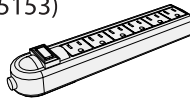
Base Foot Left
(33188L)
1x



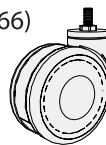
Protective Handle
Front
(33175)
2x



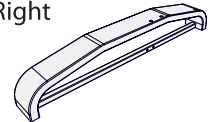
Power Strip
(255153)
1x



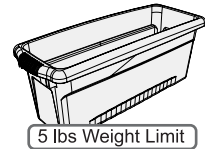
5" Caster
(410066)
2x



Base Foot Right
(33188R)
1x



Small Tub
(CC4070-B)
1x



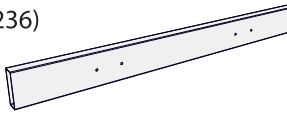
L-Frame
(33240)
2x



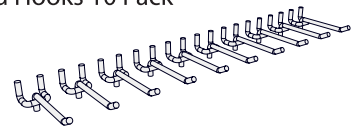
Riser
(32376)
2x



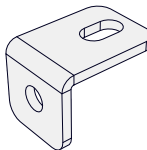
Horizontal Stretcher
(33236)
2x



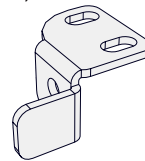
Pegboard Hooks 10 Pack
(310194)
2x



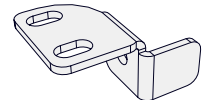
L-Bracket
(32379)
2x



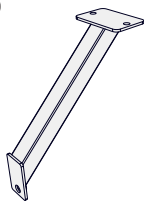
Left L-Bracket with Stop
(32378L)
1x



Right L-Bracket with Stop
(32378R)
1x



Lower Support
(32373)
2x



Hardware inside this box

IFPSTEM-CK - Parts

Before beginning, you should have:

Additional tools required:

Adjustable wrench (2x)



OR

7/16" Wrench (1x)
M13 Wrench (1x)

+

Screwdriver

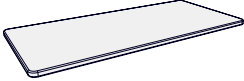


Phillips #2 or #3

IFPSTEM-1

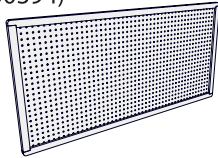
Table Top
(39041)

1x



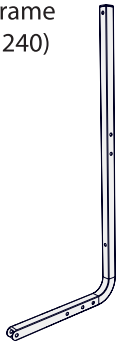
Pegboard
(2300394)

1x



IFPSTEM-CK1

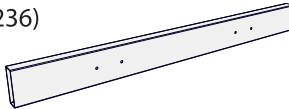
L-Frame
(33240)
2x



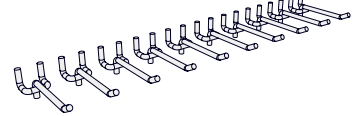
Riser
(32376)
2x



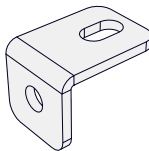
Horizontal Stretcher
(33236)
2x



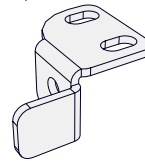
Pegboard Hooks 10 Pack
(310194)
2x



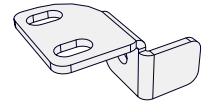
L-Bracket
(32379)
2x



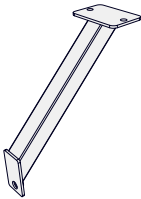
Left L-Bracket with Stop
(32378L)
1x



Right L-Bracket with Stop
(32378R)
1x



Lower Support
(32373)
2x




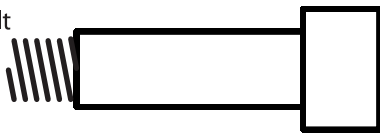

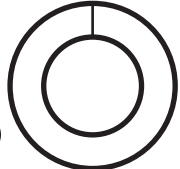


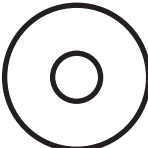


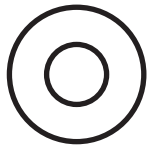




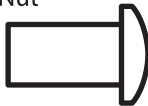


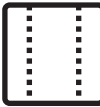


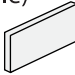
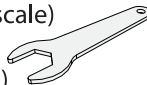
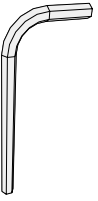

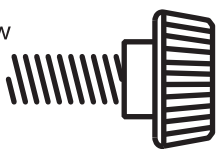
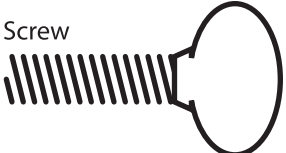
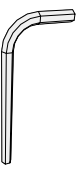


Hardware inside this box

IFPSTEM01 - Hardware

Before beginning, you should have:

Hardware
Actual Size

- | | | | |
|-------------------------------------------------------------------------------------------------------------------------------------------------------------|------------------------------------------------------------------------------------------------------------------------------------------------------------|----------------------------------------------------------------------------------------------------------------------------------------------------------|----------------------------------------------------------------------------------------------------------------------------------------------------------|
| <p>(A) 1/4" x 3-1/2" Screw
2x
(430091) </p> | | | |
| <p>(B) 5/16" x 3" Bolt
2x
(430239) </p> | | | <p>(T) 5/16" Nylon Washer
2x
(430322) </p> |
| <p>(C) M8 Shoulder Bolt
4x
(433061) </p> | <p>(N) M8" Lock Nut
4x
(43218) </p> | | <p>(U) 1/2" Lock Washer
4x
(43010211) </p> |
| <p>(D) 1/4" x 1-1/2" Bolt
4x
(4302060) </p> | <p>(O) 5/16" Lock Nut
2x
(430105) </p> | | <p>(V) 1/4" Flat Washer
4x
(430192) </p> |
| <p>(E) M6 x 45 Screw
4x
(43245) </p> | <p>(P) 1/4" Keps Lock Nut
2x
(4301621) </p> | | <p>(W) 5/16" Flat Washer
4x
(4301943) </p> |
| <p>(F) 1/4" x 1-3/4" Screw
8x
(43007) </p> | <p>(Q) 1/4" Lock Nut
4x
(430101) </p> | | <p>(X) 1/4" Lock Washer
28x
(43010) </p> |
| <p>(G) 1/4" x 1-1/2" Screw
4x
(43006) </p> | <p>(R) M6 Barrel Nut
4x
(43272) </p> | | <p>(Y) M6 Lock Washer
4x
(43273) </p> |
| <p>(H) M6 x 30mm Screw (with thread lock)
4x
(43231) </p> | <p>(S) 10MM Metal Spacer
4x
(430312) </p> | | |
| <p>(I) M6 x 20mm VESA Screw
4x
(43222) </p> | | | |
| <p>(J) 1/4" x 3/4" Screw
8x
(430039) </p> | <p>Double Sided Tape
(not to scale)
2x
(700012) </p> | <p>Caster Wrench
(not to scale)
1x
(32095S) </p> | <p>Allen Key 5mm
(not to scale)
1x
(432811) </p> |
| <p>(K) M6 x 15mm Screw
4x
(43215) </p> | | | |
| <p>(L) M6 Thumb Screw
2x
(432702) </p> | <p>(M) 1/4" Thumb Screw
2x
(430221) </p> | | <p>Allen Key 4mm
(not to scale)
2x
(43281) </p> |

IFPSTEM-CK - Hardware

Before beginning, you should have:

Hardware
Actual Size

(B) 5/16" x 3" Bolt
2x
(430239)



(E) M6 x 45 Screw
4x
(43245)



(O) 5/16" Lock Nut
2x
(430105)



(T) 5/16" Nylon Washer
2x
(430322)



(F) 1/4" x 1-3/4" Screw
8x
(43007)



(Q) 1/4" Lock Nut
4x
(430101)



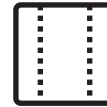
(X) 1/4" Lock Washer
24x
(43010)



(G) 1/4" x 1-1/2" Screw
4x
(43006)



(S) 10MM Metal Spacer
4x
(430312)



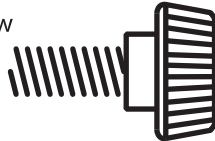
(I) M6 x 20mm VESA Screw
4x
(43222)



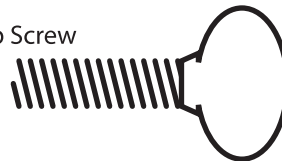
(J) 1/4" x 3/4" Screw
8x
(430039)



(L) M6 Thumb Screw
2x
(432702)



(M) 1/4" Thumb Screw
2x
(430221)

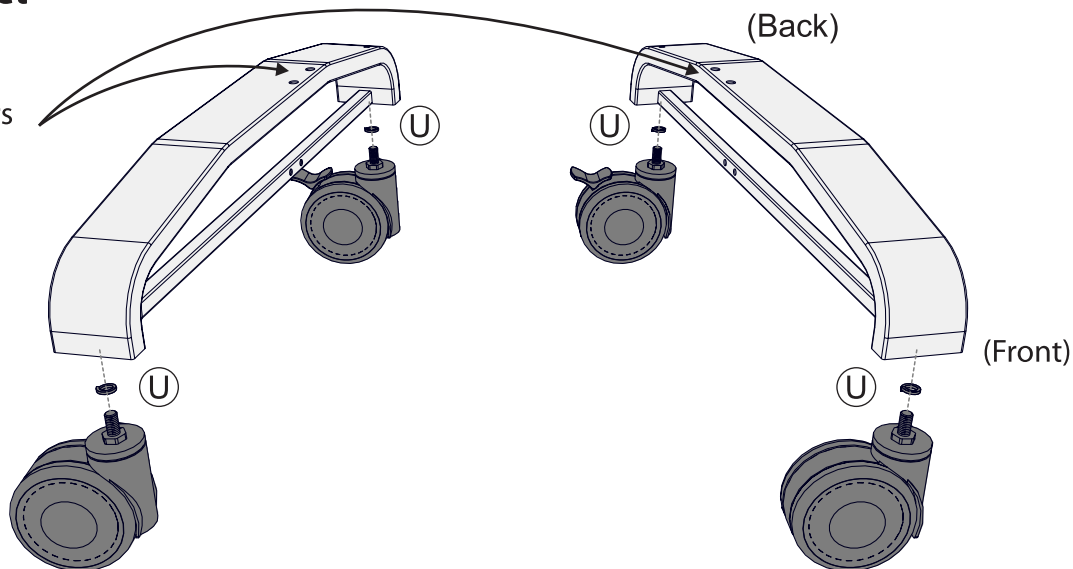


1	Actual Size:					
	You will need: (Not to Scale)	 5" Caster 2x	 5" Locking Caster 2x	 Base Foot Left 1x	 Base Foot Right 1x	 Caster Wrench 1x

Install Casters On Feet

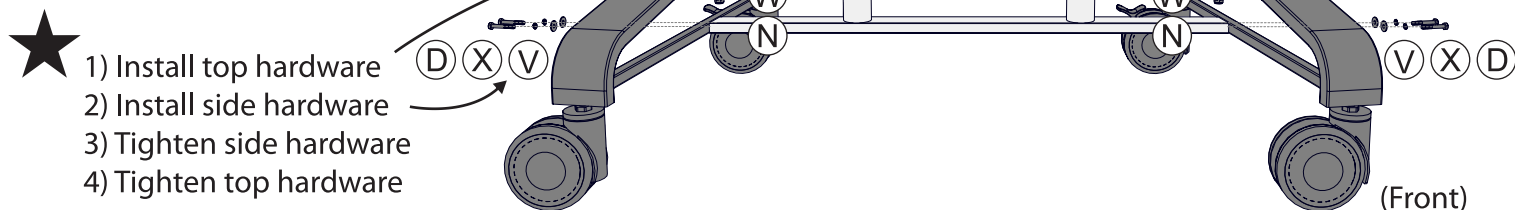
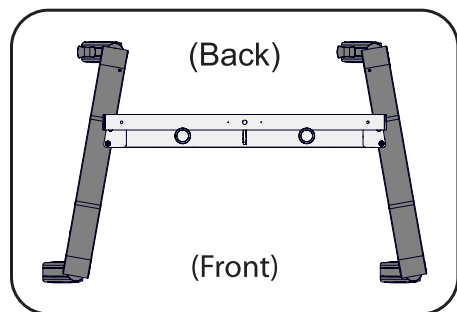
! Install locking casters on back of feet.

Note: back of feet has these holes.



2	Actual Size:						
	You will need: (Not to Scale)	 Base Frame 1x	 Allen Key 5mm (not to scale) 1x	 Adjustable wrench (2x) OR 1/2" Wrench (1x) M13 Wrench (1x)	 W 4x	 V 4x	

Attach Feet to Base Frame

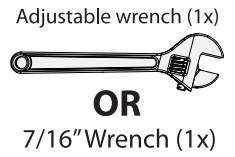
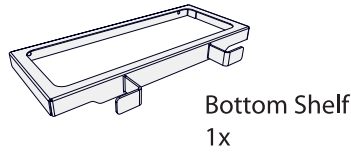


3

Actual Size:

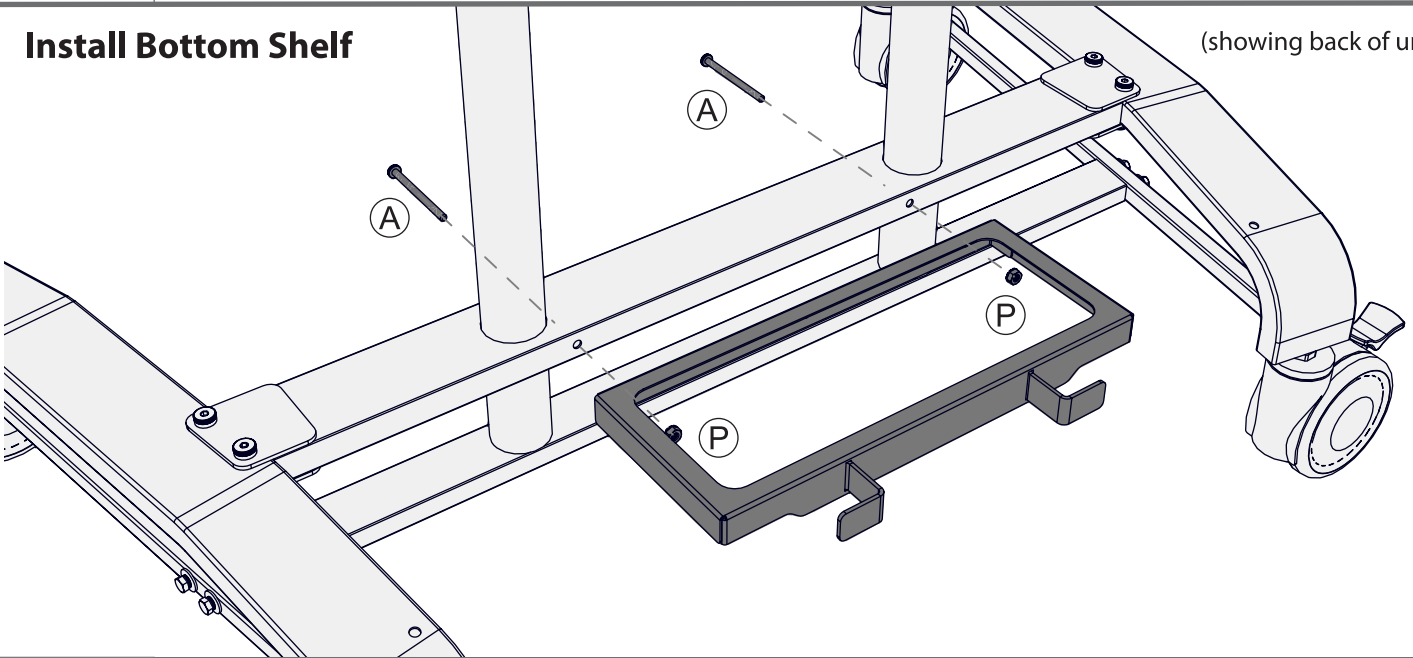


You will need: (Not to Scale)



Install Bottom Shelf

(showing back of unit)



4.1

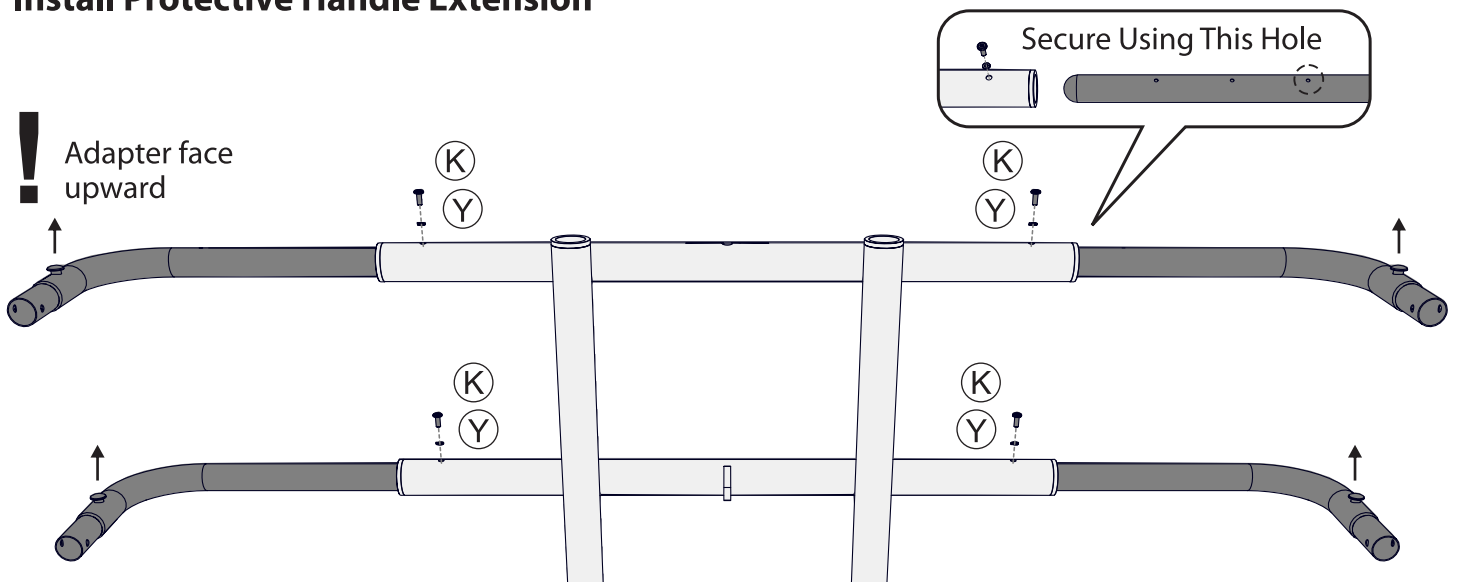
Actual Size:



You will need: (Not to Scale)

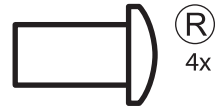


Install Protective Handle Extension

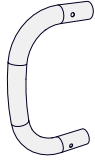


4.2

Actual Size:



You will need: (Not to Scale)

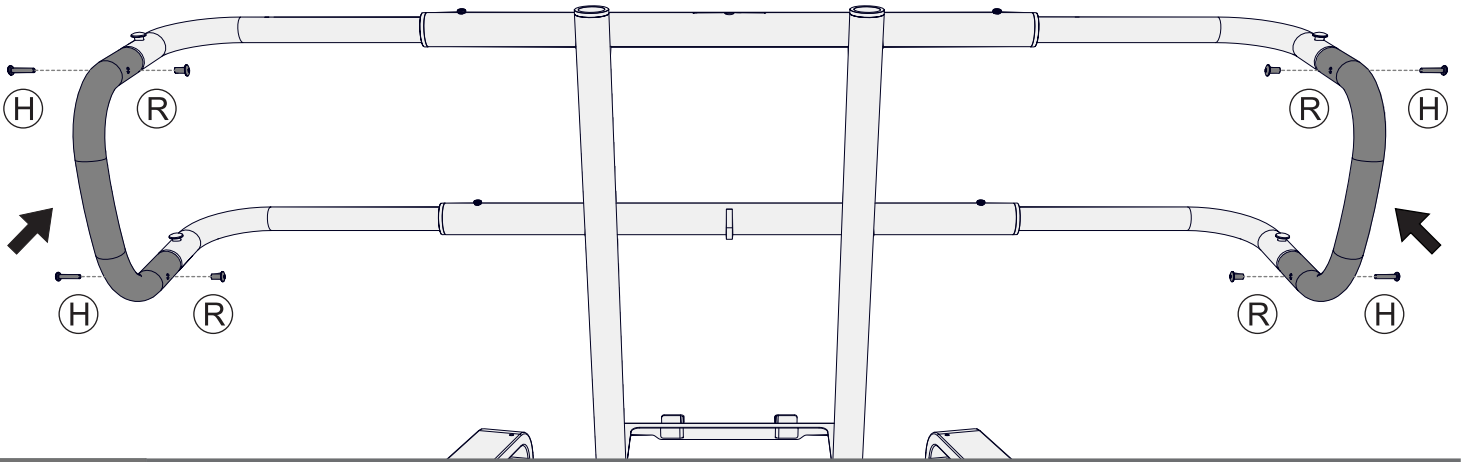


Protective Handle Front
2x



Allen Key 4mm
(not to scale)
1x

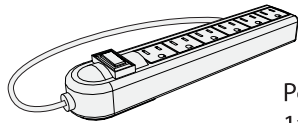
Install Protective Handle Fronts



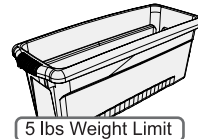
5

Actual Size:

You will need: (Not to Scale)

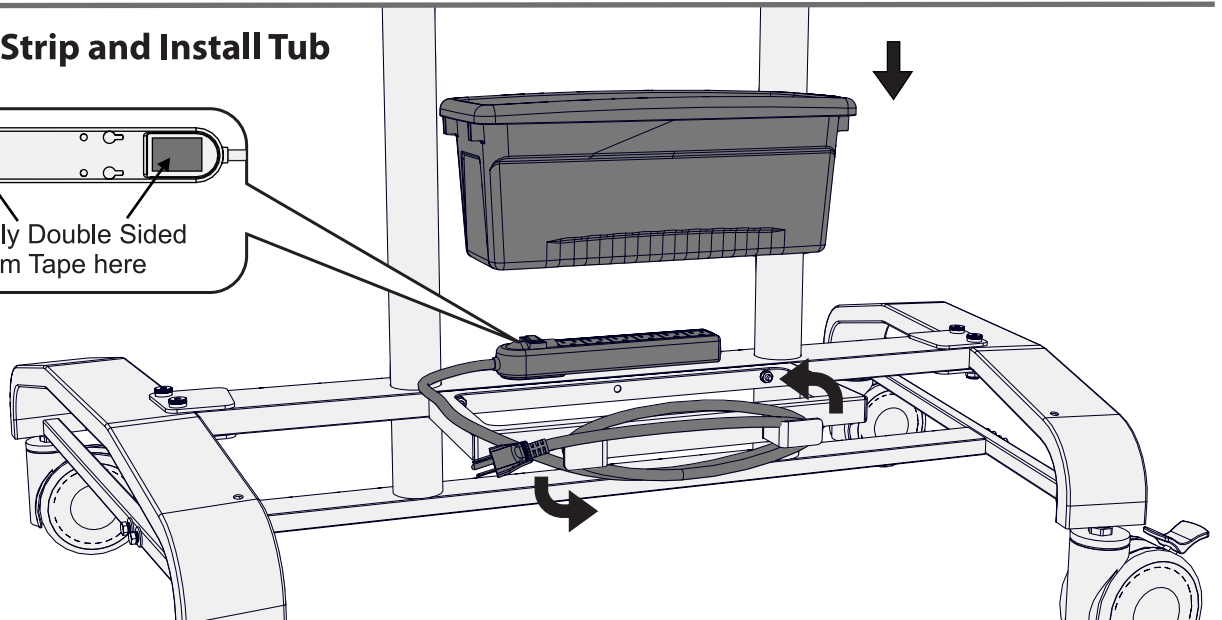
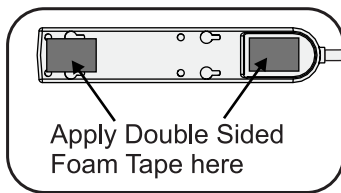



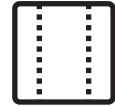


Power Strip
1x



Small Tub
1x

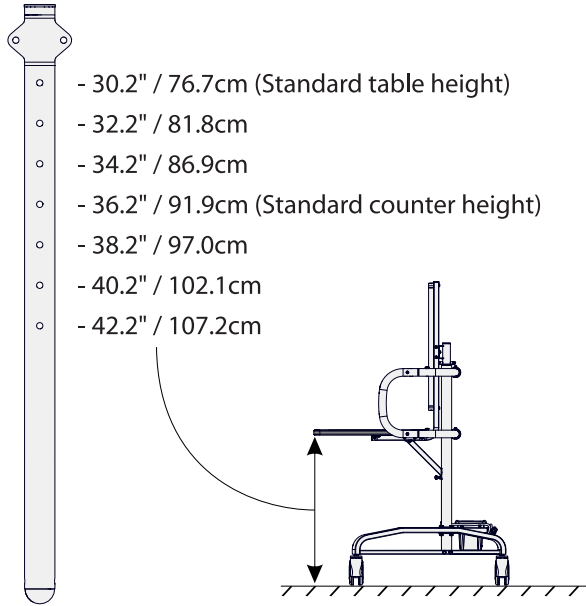
Attach Power Strip and Install Tub



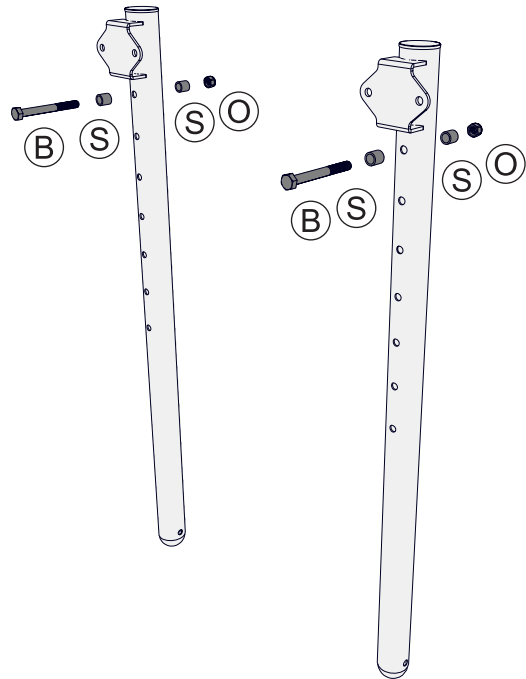
6	<p>Actual Size:</p>  <p style="text-align: right;">(B) 2x</p>  <p style="text-align: right;">(S) 4x</p>  <p style="text-align: right;">(O) 2x</p>
	<p>You will need: (Not to Scale)</p>  <p style="text-align: right;">Riser 2x</p>

Install Table Risers

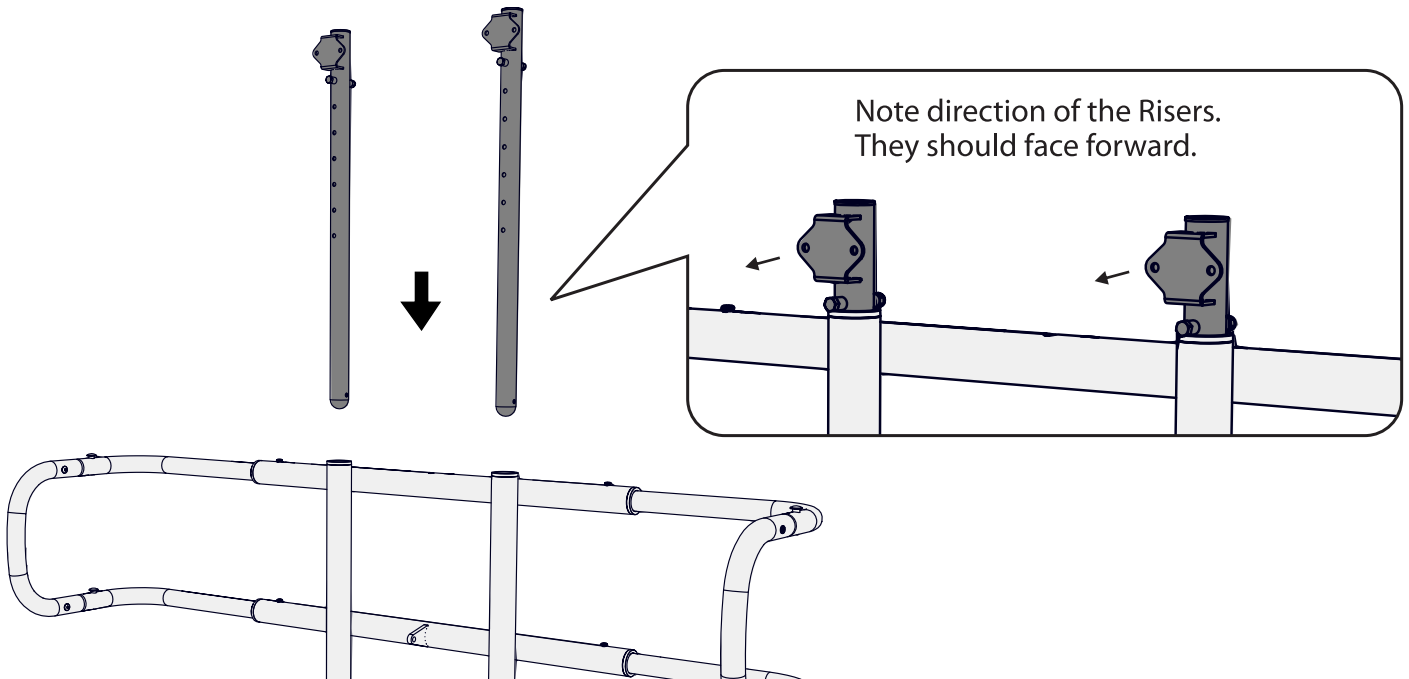
1 Choose Table Height




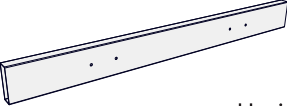


2 Install Hardware in Desired Holes



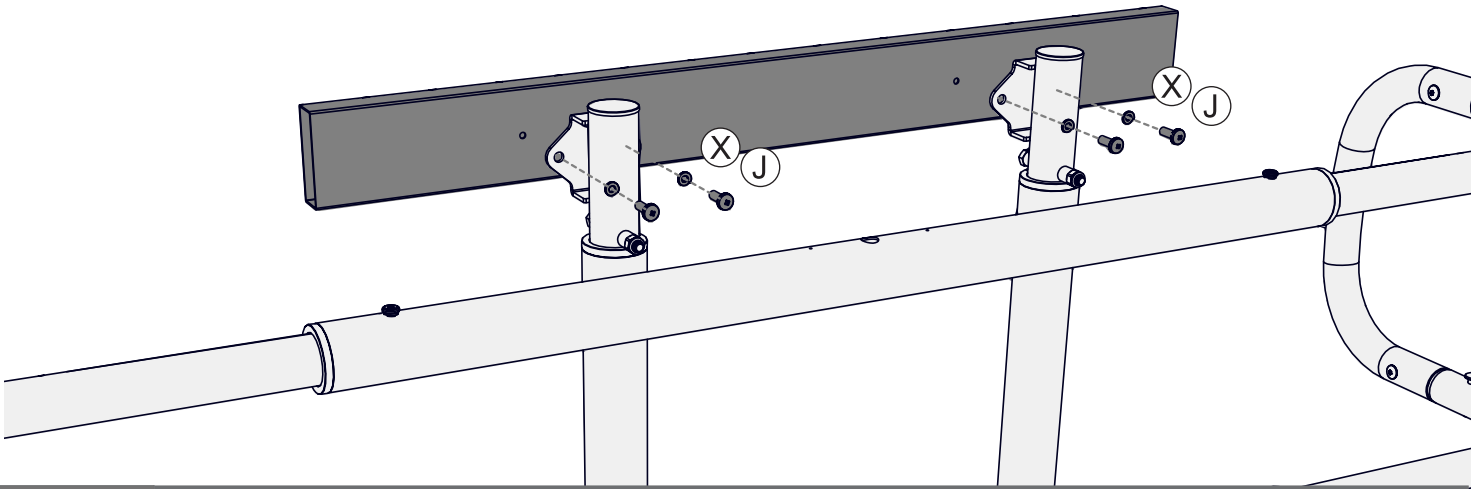
3 Insert Risers In Base Frame






7	Actual Size:	 (J) 4x	 (X) 4x
 2-Person Task	You will need: (Not to Scale)		
			Horizontal Stretcher 1x

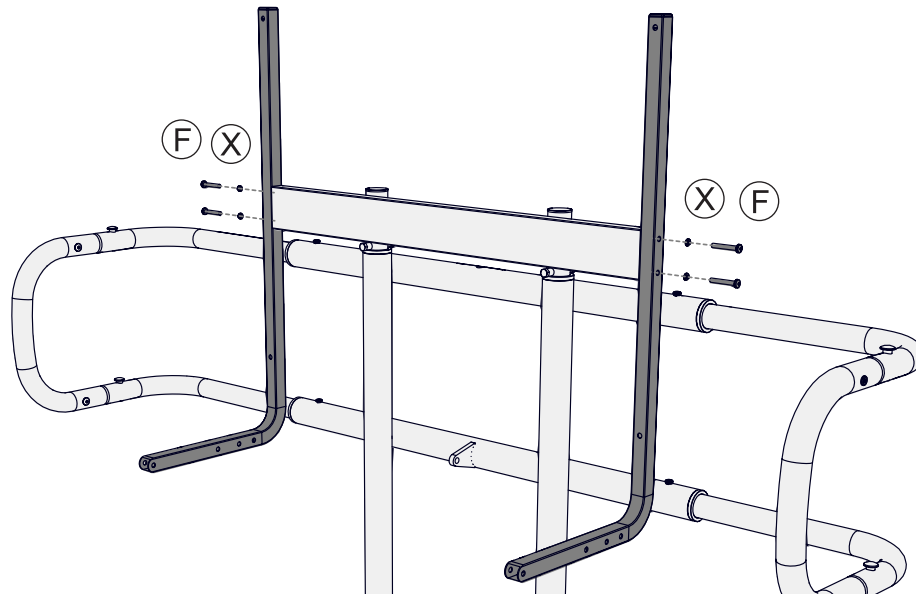
Attach Horizontal Stretcher

(shown in lowest height)



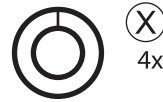
8	Actual Size:	 (F) 4x	 (X) 4x
You will need: (Not to Scale)			
			L-Frame 2x

Attach L-Frames

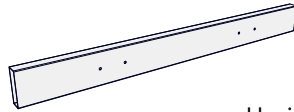


9

Actual Size:



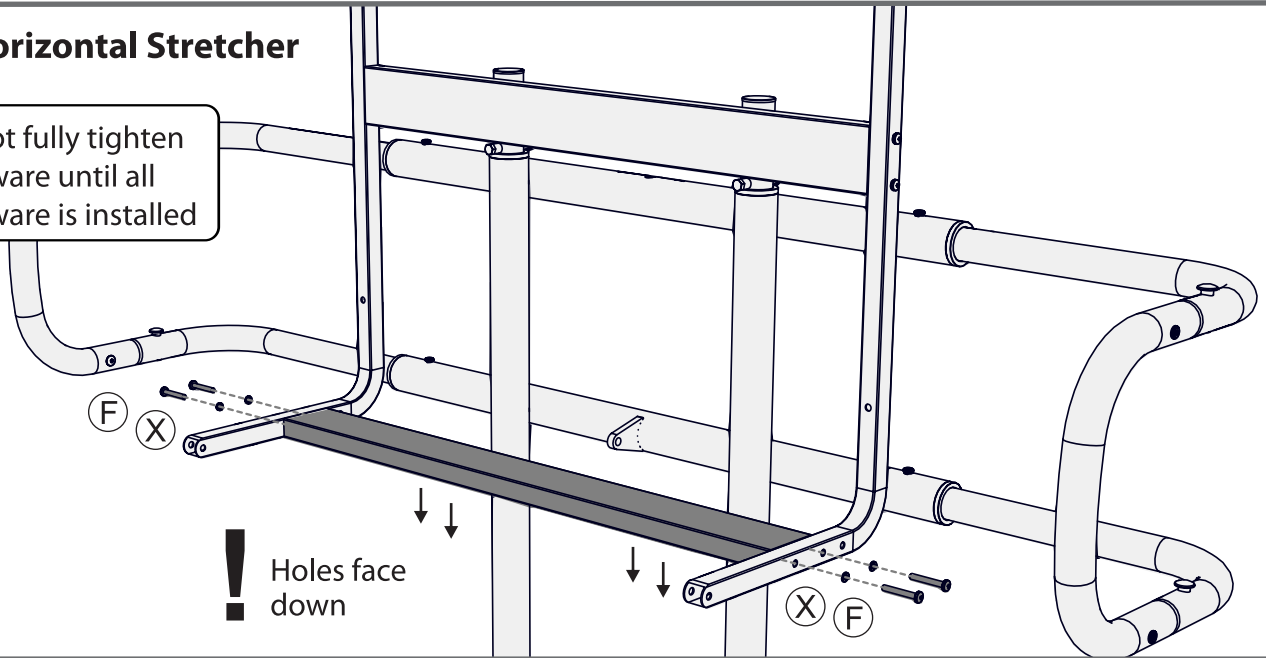
You will need: (Not to Scale)



Horizontal Stretcher
1x

Attach Horizontal Stretcher

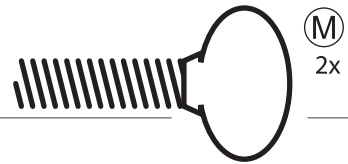
! Do not fully tighten hardware until all hardware is installed



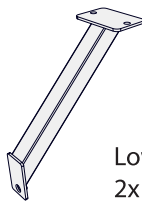
! Holes face down

10

Actual Size:

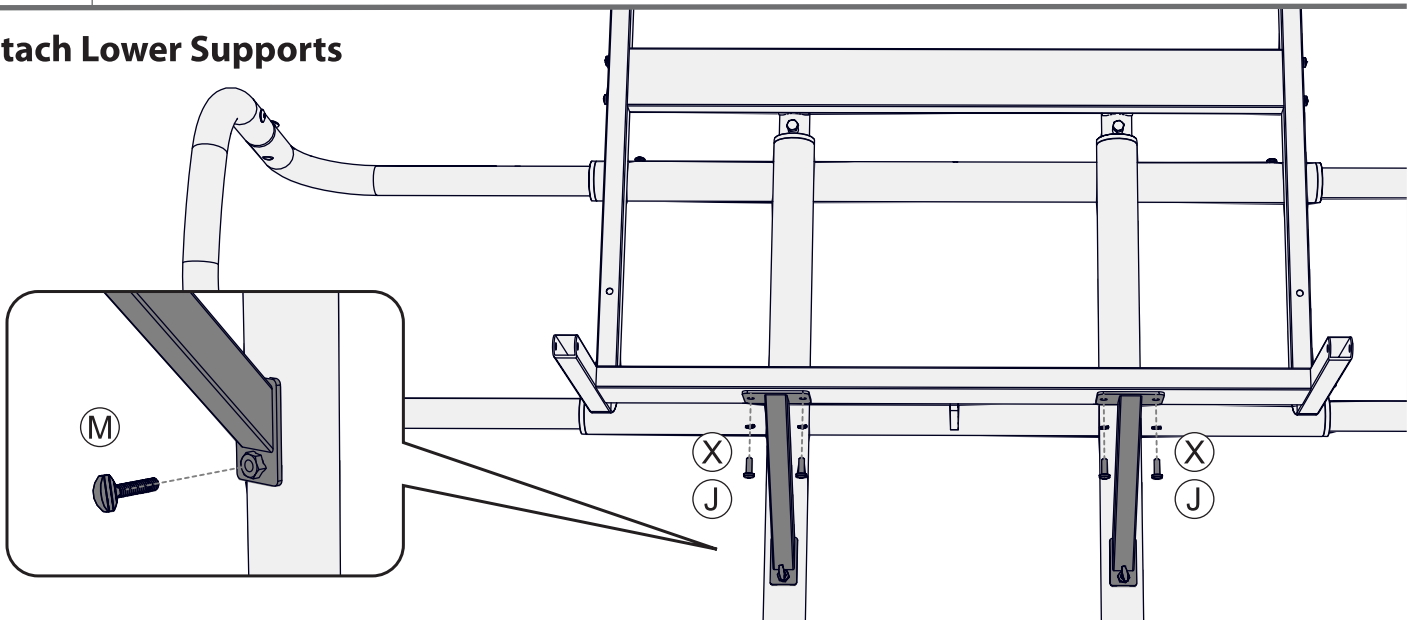


You will need: (Not to Scale)



Lower Support
2x

Attach Lower Supports

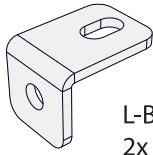


11

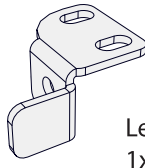
Actual Size:



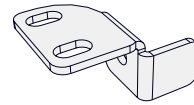
You will need: (Not to Scale)



L-Bracket
2x

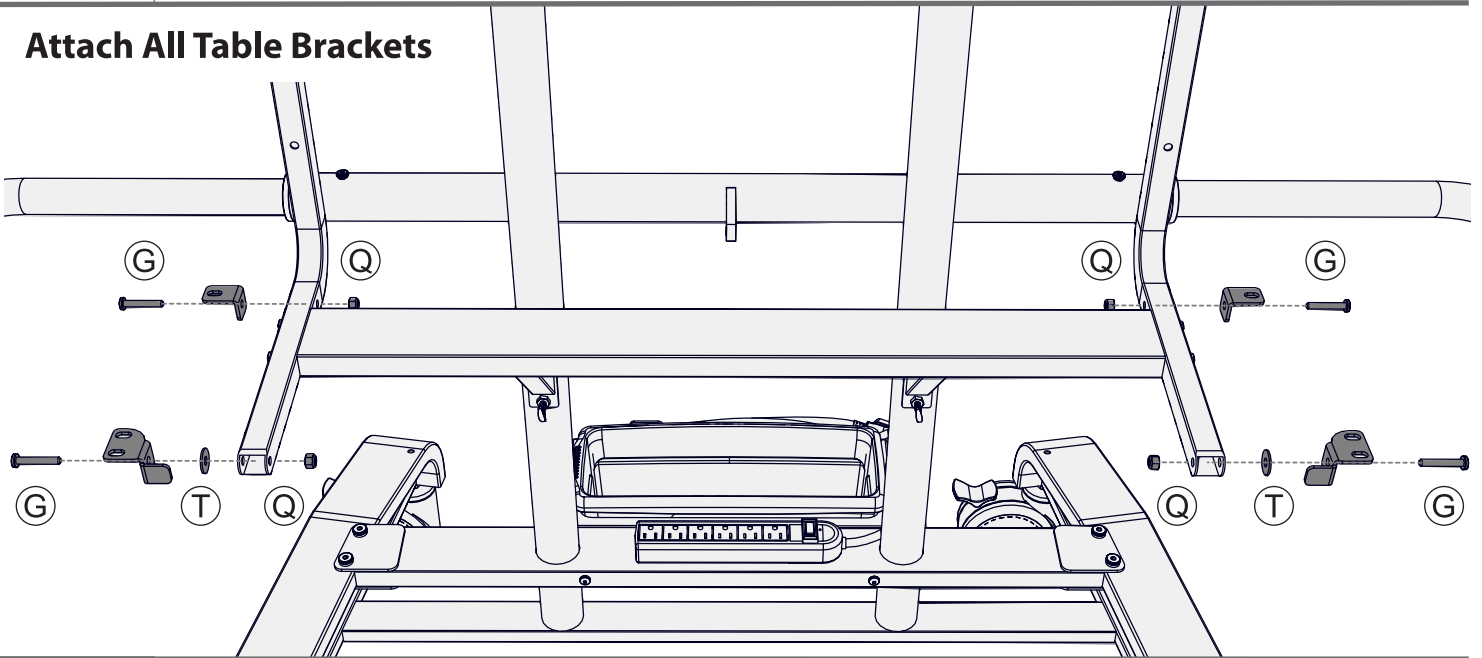


Left L-Bracket with Stop
1x



Right L-Bracket with Stop
1x

Attach All Table Brackets



12

Actual Size:



You will need: (Not to Scale)



2-Person Task

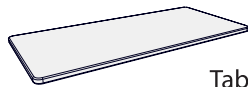
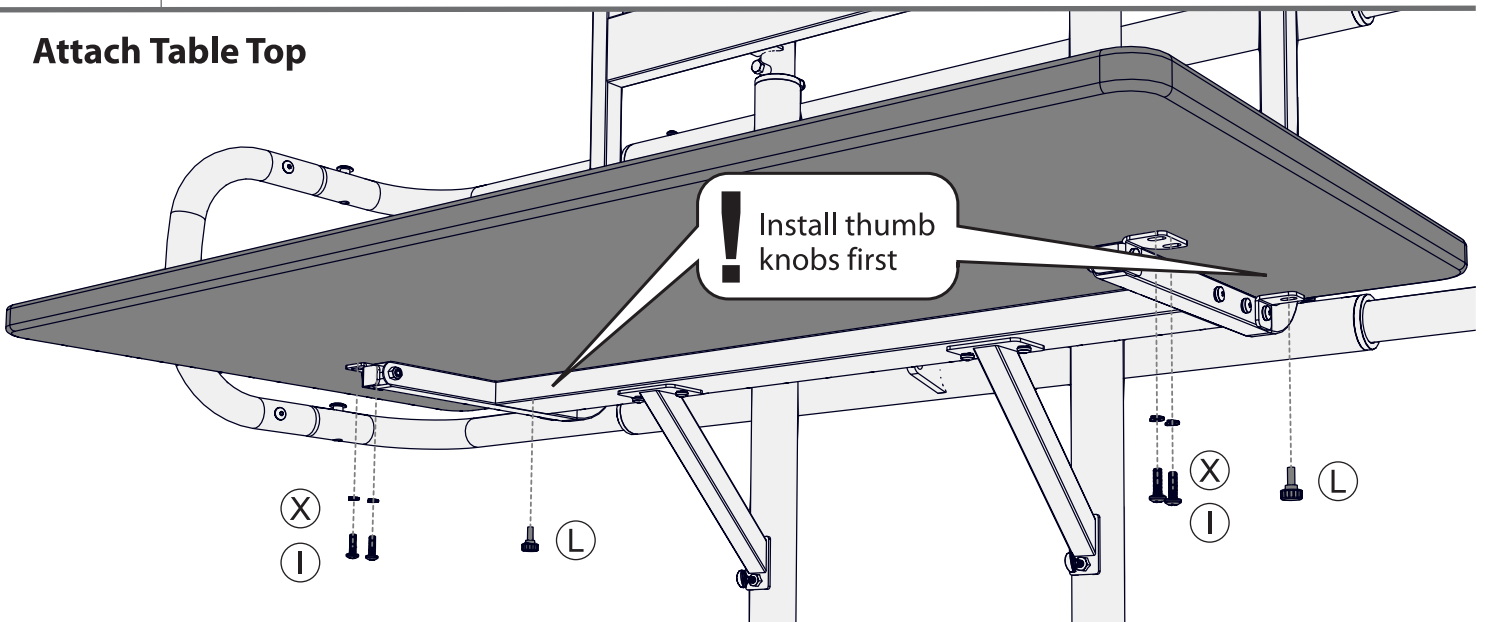


Table Top
1x

Attach Table Top

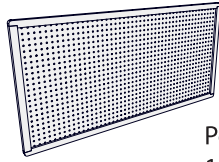


13

Actual Size:

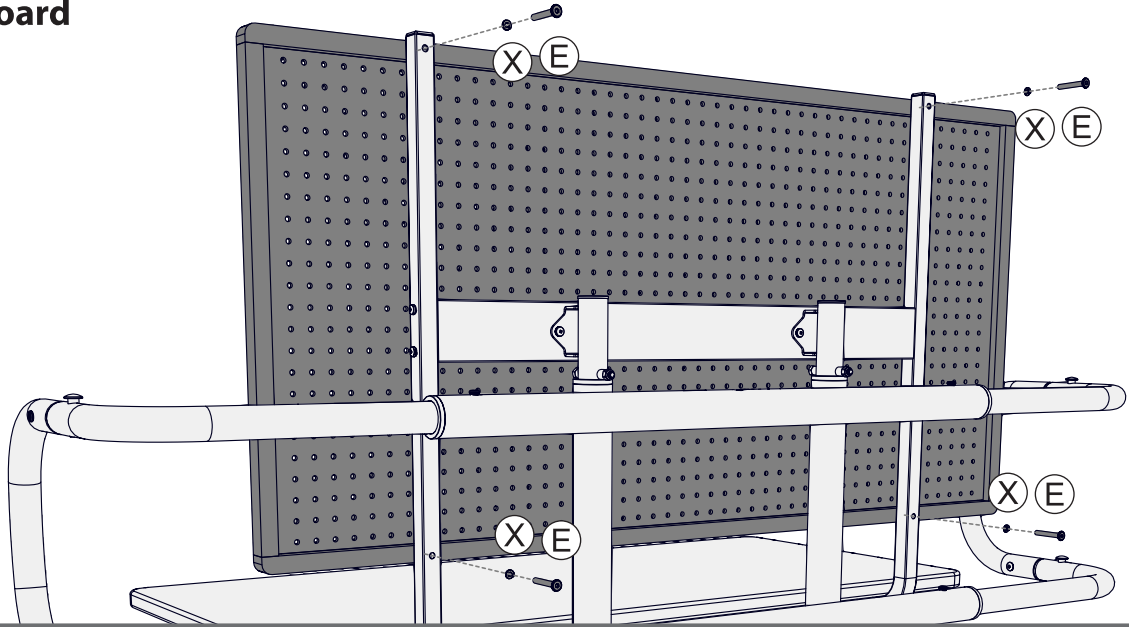


You will need: (Not to Scale)



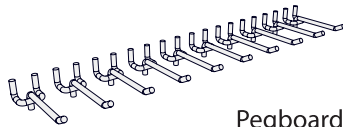
Pegboard
1x

Attach Pegboard



14

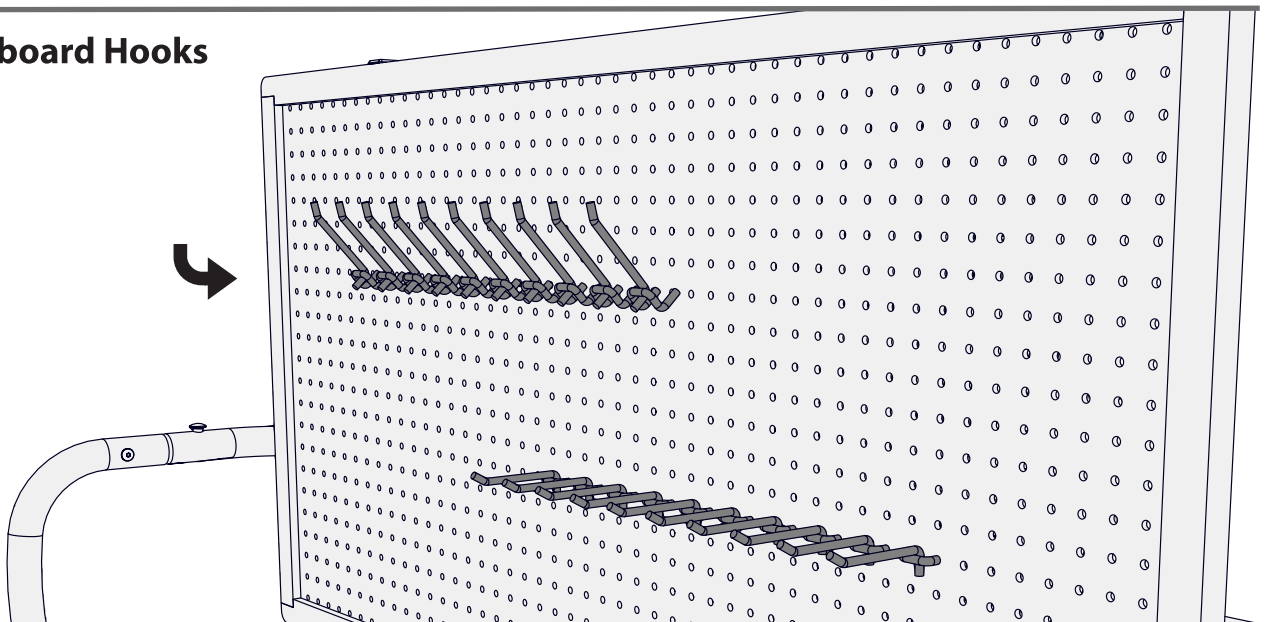
Actual Size:



Pegboard Hooks 10 Pack
2x

You will need: (Not to Scale)

Attach Pegboard Hooks



You will need: (Not to Scale)

Screwdriver
⊕ Phillips #2 or #3



Adjustable wrench (1x)

OR
1/2" Wrench (1x)
M13 Wrench (1x)



Caster Wrench
1x



Allen Key 4, 5mm
1x

Final Assembly Checks

Check entire assembly for loose parts; tighten all casters, bolts, screws and nuts

Tighten all casters using supplied Caster Wrench.
 Keep wrench with unit. Casters must be tightened every 6 months for proper maintenance.



Fold Table Top To Fit Through Doorways

1 Remove Both Thumb Screws & Tilt Table

2 Move Lengthwise Through Doorway

