

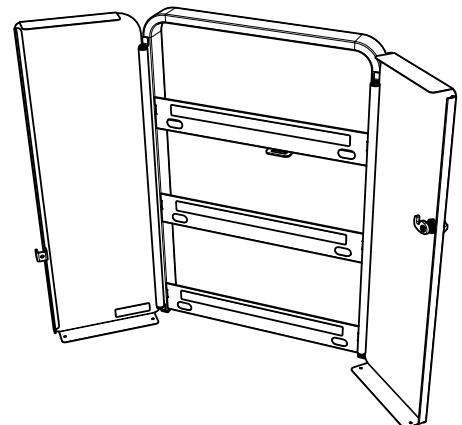
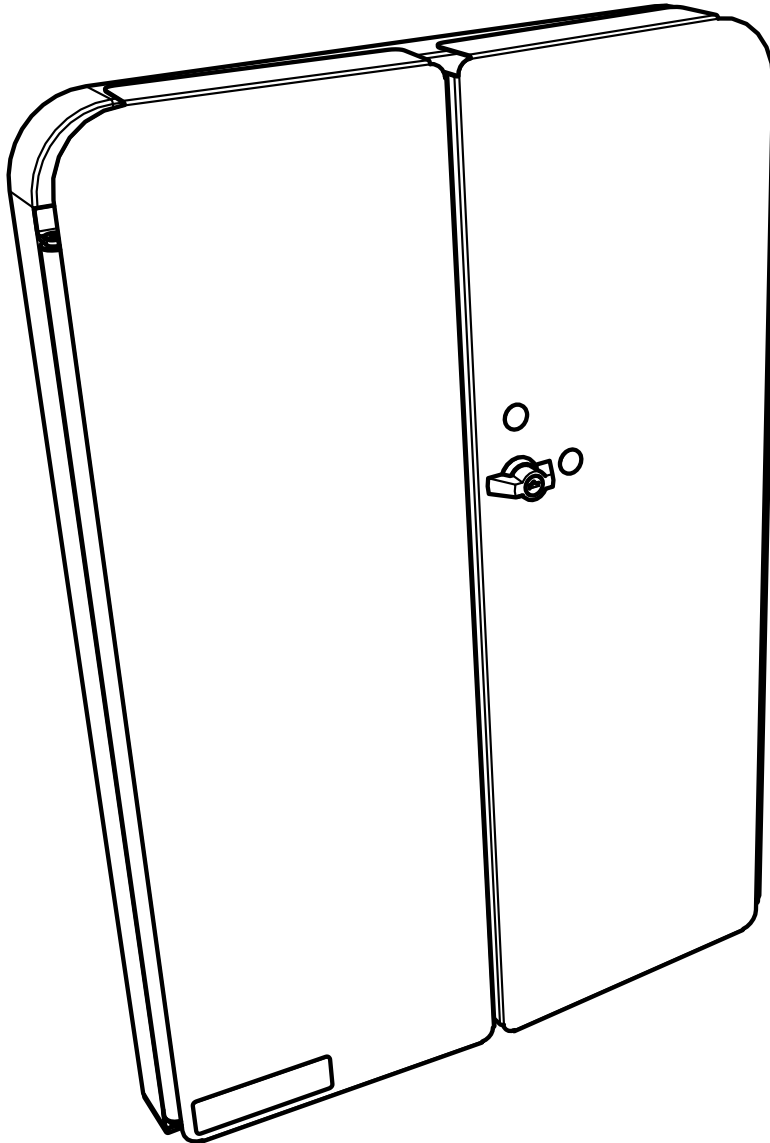


Assembly Guide

Check out our other products online at www.copernicused.com

For assistance, please contact us by telephone at **1-800-267-8494** or email at info@copernicused.com.

Have your packing slip ready for reference.



Customer Service & Warranty Information

Dear Educator,

Thank you for purchasing the Wall Mounted Phone Storage Cabinet. We hope it meets your expectations and you and your students enjoy using it at your school.

Every day we see and hear stories of teachers going above and beyond to help students thrive. Thank you so much for all you do – you are awesome, and you make a difference.

Thank you for inspiring us.

If you have any questions, concerns or ideas on how we can improve please let us know by contacting our Customer Solutions Ninjas at 1-800-267-8494 or info@copernicused.com.

Happy teaching,

Kaylyn Belcourt, President
kaylyn@copernicused.com



For missing parts and other issues regarding your product:

Please contact Customer Service, where we will be happy to help.

Telephone: 1-800-267-8494, Monday - Friday 8:00am - 4:30 pm EST

Email: info@copernicused.com

Need Support? Have a Question?



Email Customer Service

Check out some of our other great products!



www.copernicused.com



Register your Product

Registering your warranty ensures we have all the information we need to make any future warranty claims quick and easy. Please visit www.copernicused.com/warranty and complete the form within 10 business days from product assembly. By registering your product, you will be entered into a draw to win Copernicus product.

Make a Warranty Claim

We offer a Lifetime Warranty on almost everything we make. Please call **1-800-267-8494** or email info@copernicused.com to start your warranty claim. Proof of purchase will be required upon warranty claim (i.e. copy of invoice).

Tips for Assembly

Before You Begin:

- Lay out and identify all of the included parts.
- The hardware has been packed according to step
- Read the assembly guide over once to familiarize yourself with them.

As You Assemble the Unit:

- Follow the steps in sequence.
- Before beginning each step, find the part(s) that you need for that step.
- The title of each step states what you will be doing. Review the text and the pictures as you build the unit.

Watch for These Helpful Symbols:



2-Person Task

For safety, please have someone help you when working on steps displaying this symbol.



The symbol denotes a step needing extra attention to ensure it is done correctly.



Important Information! Warning!

Please read the warnings below for important safety information regarding your product. Failure to read these warnings or to follow the instructions below could result in personal injury or damage to your product that could void your warranty.



Small Parts

In its unassembled state, this product contains parts that can be hazardous to small children. This product should be assembled by an adult.



Adult Supervision

This product is to be used under the supervision of an adult.



Indoor Use Only

This product is intended for indoor commercial use only. To reduce the risk of fire or electric shock, do not expose this product to rain or moisture. The internal components are not sealed from the environment.

Parts

Before beginning, you should have:

Additional tools required:

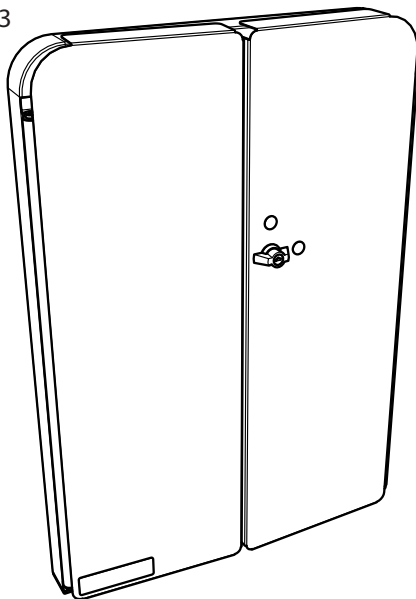


Level

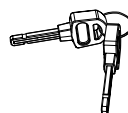


PHS03-0

PHS03
x1



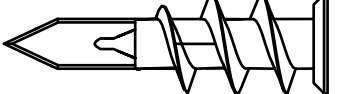
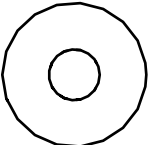


Key
x2



In Box 1

Hardware
Actual Size

- (A) Screw, Concrete 3/16" x 1-3/4"
x4 
- (B) #8 Phillips x 1-1/2"
x4 
- (C) #8 Drywall Anchor
x4 
- (D) 1/4" Flat Washer
x4 



2-Person Task

1

Installation - Mounting hole location

You will need: (Not to Scale)

Drill



Level



Using the information below, drill the appropriate sized hole in the wall.

Masonry Wall Installation

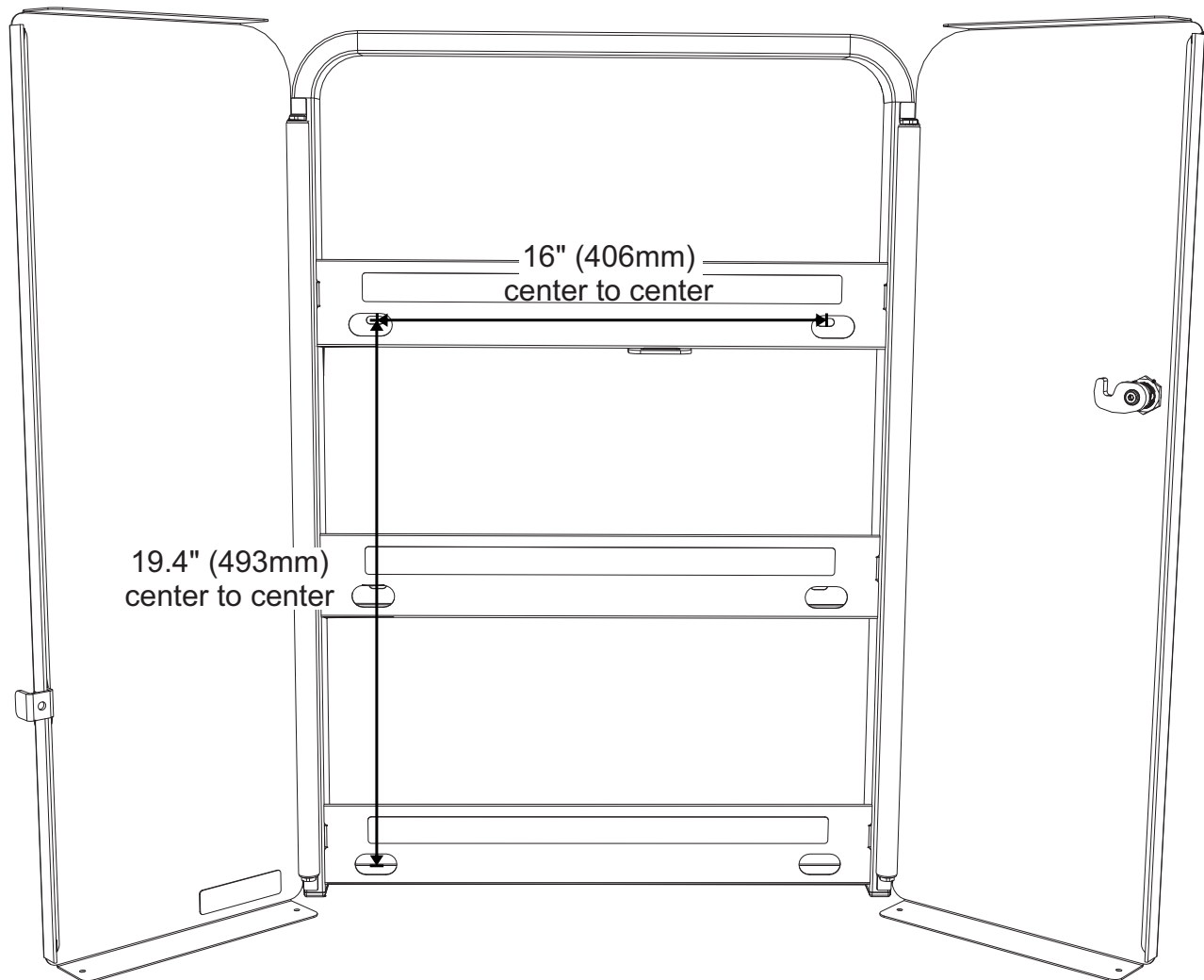
Drill bit size: 5/32"

Wood Stud Wall Installation

Drill bit size: 1/8"

Drywall Installation

Do **NOT** drill holes



The hole location can be measured and marked with a pencil and ruler, or one person can hold up the cabinet while the other marks the hole location with a pencil.



2

2-Person Task

You will need: (Not to Scale)

Screwdriver



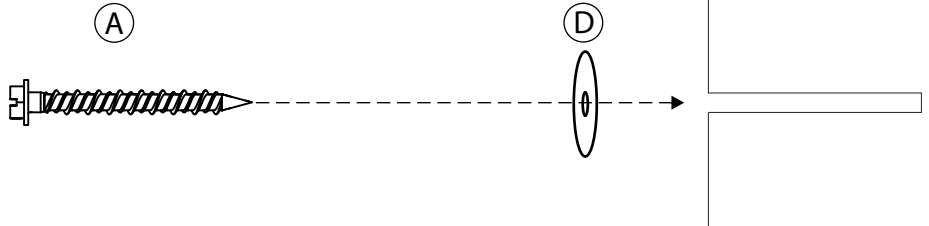
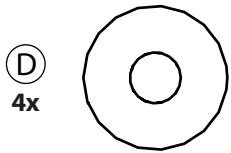
Drill



Using the supplied hardware, attach the unit to the wall.

Concrete Wall Hardware

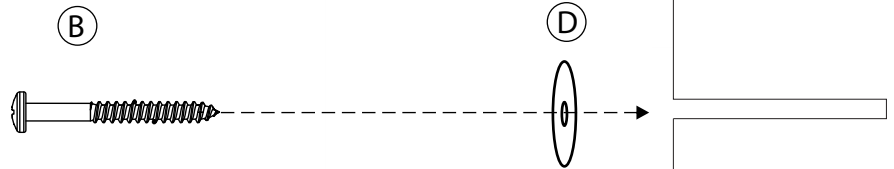
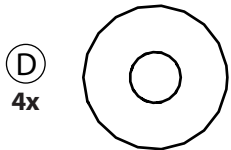
Actual Size:



CONCRETE WALL

Stud Wall Hardware

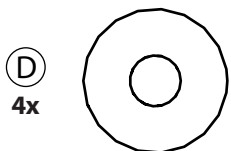
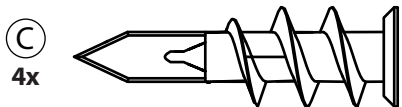
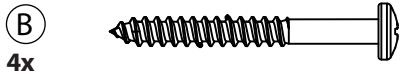
Actual Size:



STUD WALL

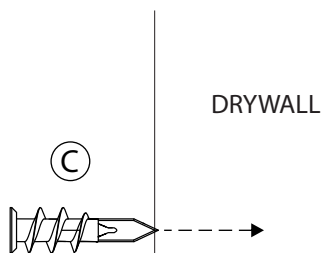
Drywall Hardware

Actual Size:



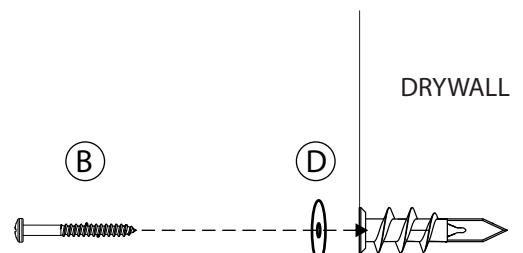
1 Using a screw driver, install the drywall anchor until it is flush with the wall.

2 Hold unit in place and install remaining hardware.



DRYWALL

C



DRYWALL

B

D

! Do **NOT** pre-drill a hole for the drywall anchor

