

SST01
SST02

Bamboo Sensory Table



Assembly Guide

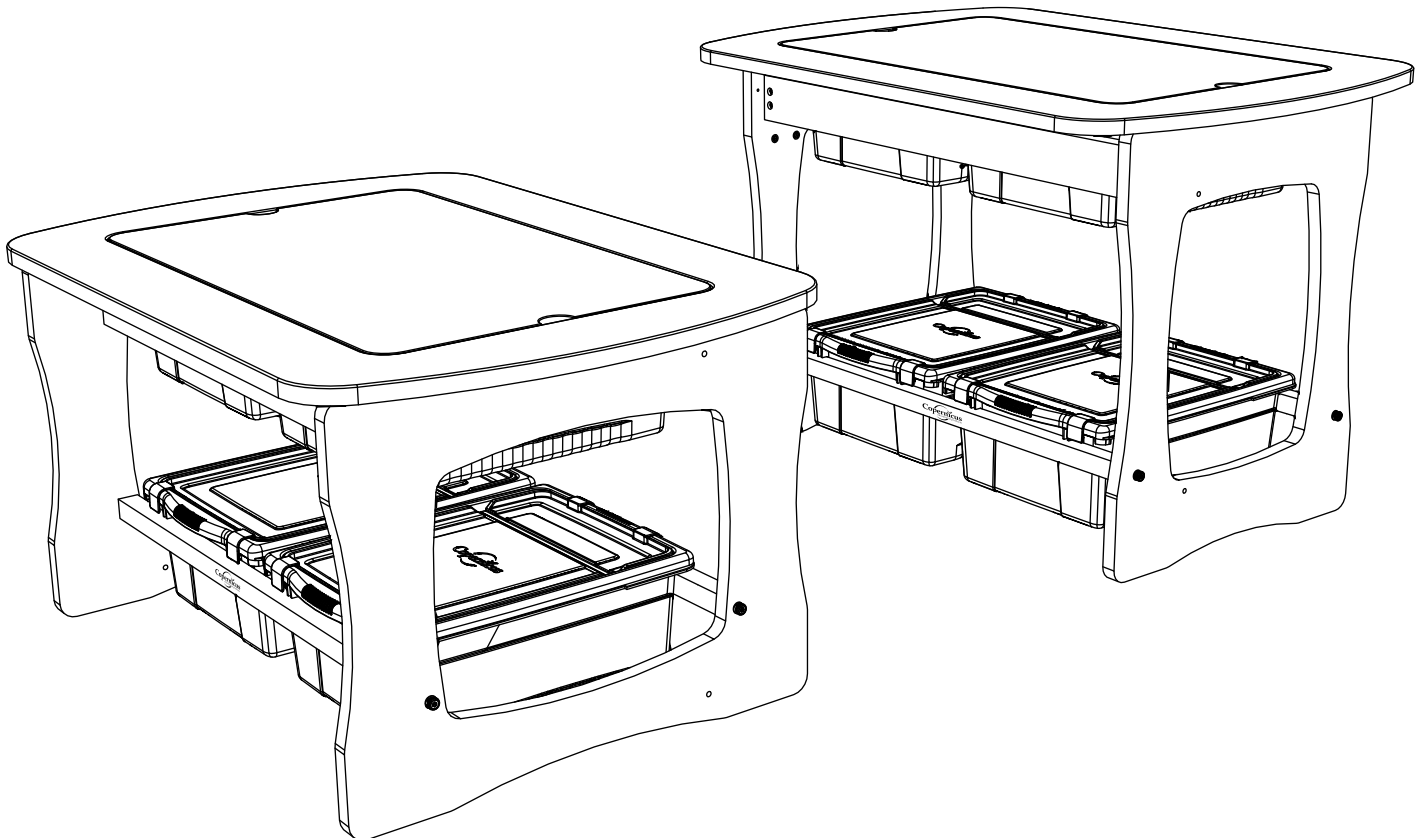
Check out our other products online at www.copernicused.com

For assistance, please contact us by telephone at **1-800-267-8494** or email at info@copernicused.com.

Have your packing slip ready for reference.



**Do Not Use Power
Tools for assembly**



Please Recycle

Customer Service & Warranty Information

Dear Educator,

Thank you for purchasing the Bamboo Sensory Table. We hope it meets your expectations and you and your students enjoy using it at your school.

Every day we see and hear stories of teachers going above and beyond to help students thrive. Thank you so much for all you do – you are awesome, and you make a difference.

Thank you for inspiring us.

If you have any questions, concerns or ideas on how we can improve please let us know by contacting our Customer Solutions Ninjas at 1-800-267-8494 or info@copernicused.com.

Happy teaching,

Kaylyn Belcourt, President
kaylyn@copernicused.com



We do not inherit the earth from our ancestors, we borrow it from our children.

- NATIVE AMERICAN PROVERB

Change is the end result of all true learning.

- LEO BUSCAGLIA

What you leave behind is not what is engraved in stone monuments, but what is woven into the lives of others.

- PERICLES

Education is the most powerful weapon which you can use to change the world.

- NELSON MANDELA

For missing parts and other issues regarding your product:

Please contact Customer Service, where we will be happy to help.

Telephone: 1-800-267-8494, Monday - Friday 8:00am - 4:30 pm EST

Email: info@copernicused.com

Need Support? Have a Question?



Email Customer Service

Check out some of our other great products!



www.copernicused.com



Register your Product

Registering your warranty ensures we have all the information we need to make any future warranty claims quick and easy. Please visit www.copernicused.com/warranty and complete the form within 10 business days from product assembly. By registering your product, you will be entered into a draw to win Copernicus product.

Make a Warranty Claim

We offer a Lifetime Warranty on almost everything we make. Please call **1-800-267-8494** or email info@copernicused.com to start your warranty claim. Proof of purchase will be required upon warranty claim (i.e. copy of invoice).

Tips for Assembly

Before You Begin:

- Lay out and identify all of the included parts.
- The hardware has been packed according to step
- Read the assembly guide over once to familiarize yourself with them.

As You Assemble the Unit:

- Follow the steps in sequence.
- Before beginning each step, find the part(s) that you need for that step.
- The title of each step states what you will be doing. Review the text and the pictures as you build the unit.

Watch for These Helpful Symbols:



2-Person Task

For safety, please have someone help you when working on steps displaying this symbol.



The symbol denotes a step needing extra attention to ensure it is done correctly.



Important Information! Warning!

Please read the warnings below for important safety information regarding your product. Failure to read these warnings or to follow the instructions below could result in personal injury or damage to your product that could void your warranty.



Small Parts

In its unassembled state, this product contains parts that can be hazardous to small children. This product should be assembled by an adult.



Adult Supervision

This product is to be used under the supervision of an adult.



No Maintenance

This product does NOT require maintenance. Repairs should only be performed by authorized personnel. Please contact customer service if repairs are required.



Climb Hazard

Do not climb on, hang from or suspend objects from any components of your product unless otherwise specified.



Indoor Use Only

This product is intended for indoor commercial use only. To reduce the risk of fire or electric shock, do not expose this product to rain or moisture. The internal components are not sealed from the environment.



Do Not Use Power Tools

This product is not intended to be assembled with the use of power tools. Please use specified hand tools only, failure to do so may result in damage to the product.



Bamboo Maintenance

When needed, wipe down with mild soapy water. A mild disinfectant can be used. A mild bleach water solution (1:50) can also be used. Wipe cleaning solution off after application.

Recommended cleaning frequency is once monthly, and at minimum, once per school year.

DO NOT leave standing water or cleaning solutions on the bamboo surface.
DO NOT use harsh chemicals to clean surfaces.

Parts

Before beginning, you should have:

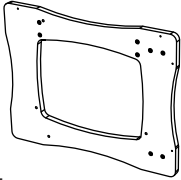
Additional tools required:

Screwdriver

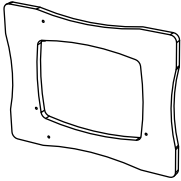


SST01-0/SST02-0

Right Leg
1x



Left Leg
1x



Tub Support
2x



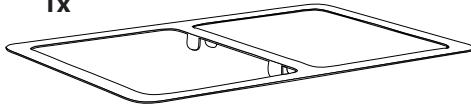
Table Support
2x



Tabletop
1x

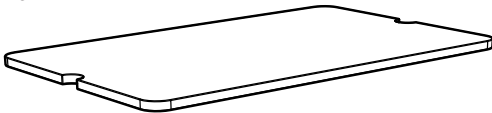


Tub Bezel
1x



for **STT01**

Table Lid
1x



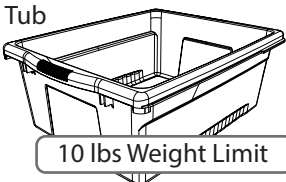
for **STT02**

Table Lid with construction block surface
1x



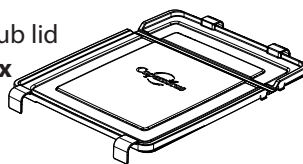
STT - CB

Open Tub
4x



10 lbs Weight Limit

Tub lid
2x



Hardware
Actual Size

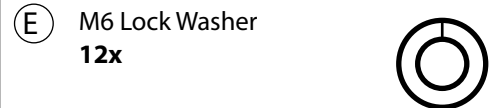
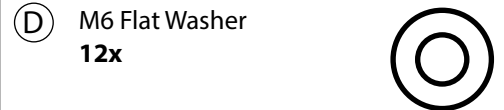
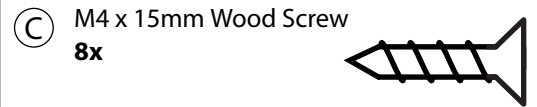
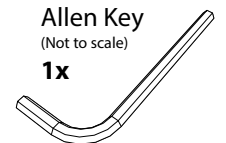
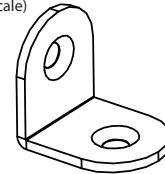


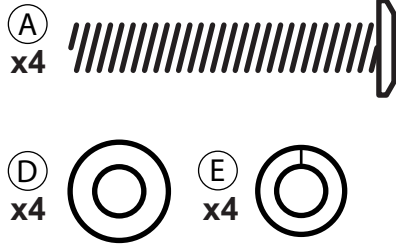
Table top Bracket
(Not to scale)
x4



In Box

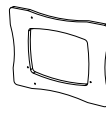
1

Actual Size:



You will need:
(Not to Scale)

Left Leg
1x



Right Leg
1x

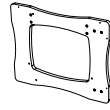
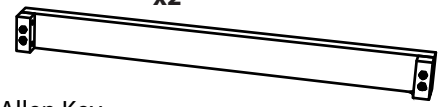


Table Support
x2



Allen Key
1x

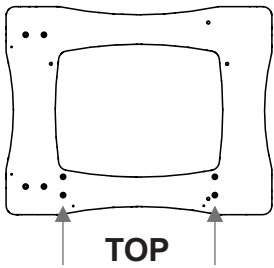


Attach table support to leg.

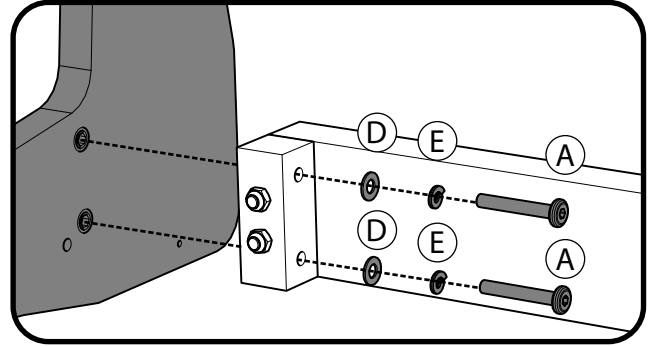
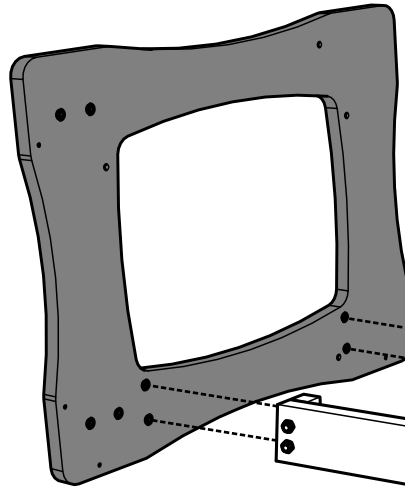
Leg will be oriented upside down.

Toddler Configuration

BOTTOM



TOP

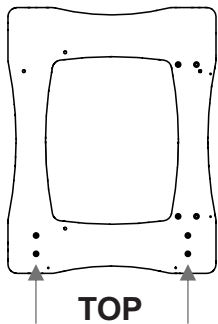


2x

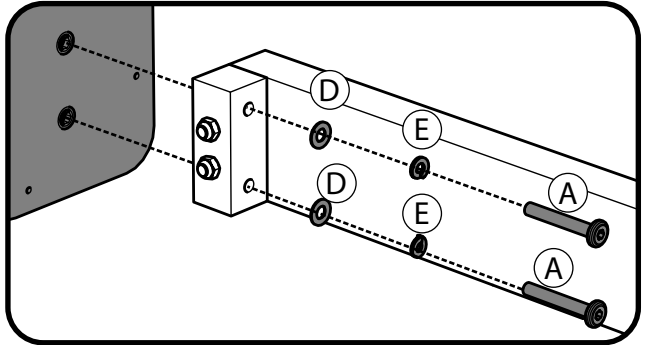
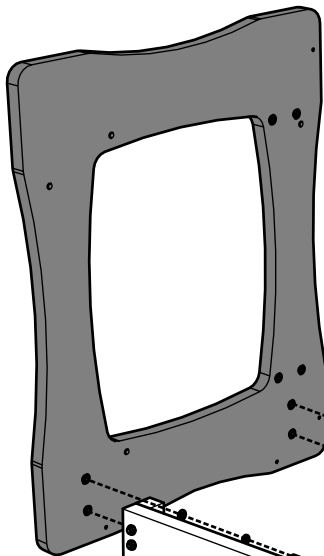
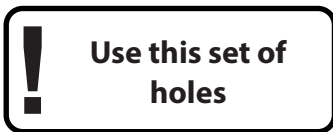
OR

Preschool Configuration

BOTTOM

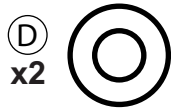


TOP



2

Actual Size:



You will need: (Not to Scale)

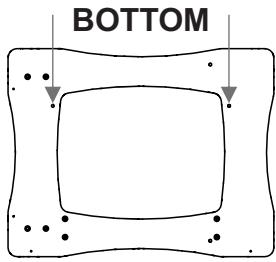


Tub Support
x2



Install tub support rail

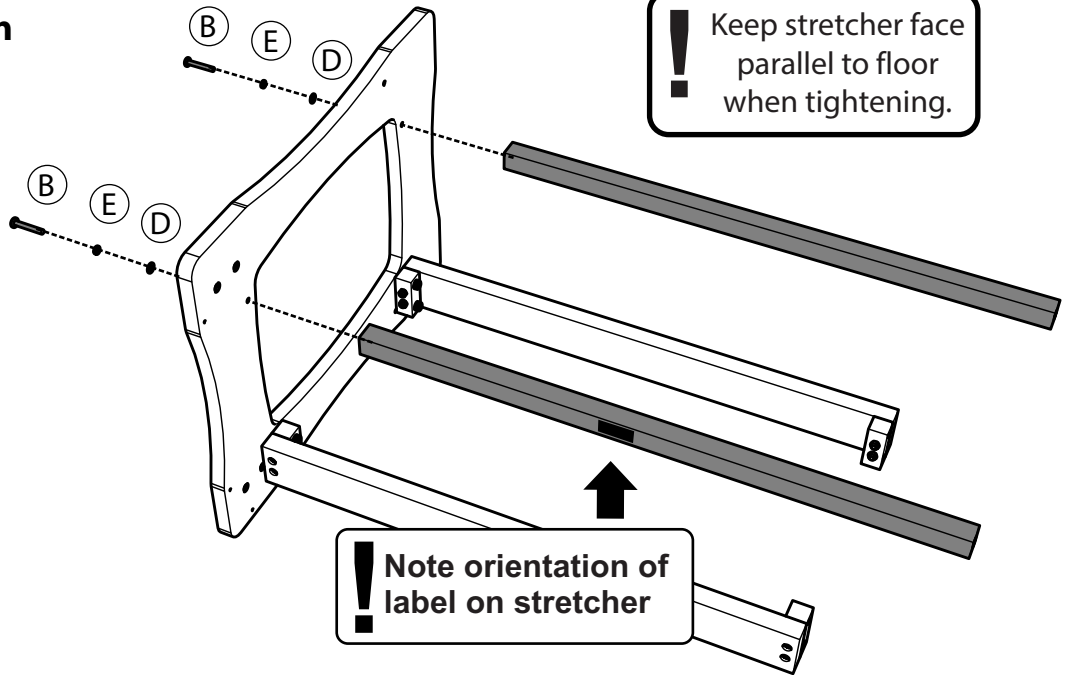
Toddler Configuration



TOP

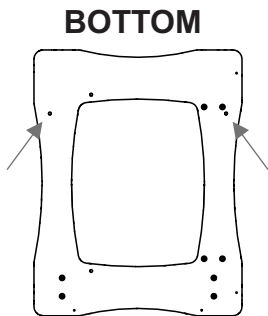
BOTTOM

! Use this set of holes



OR

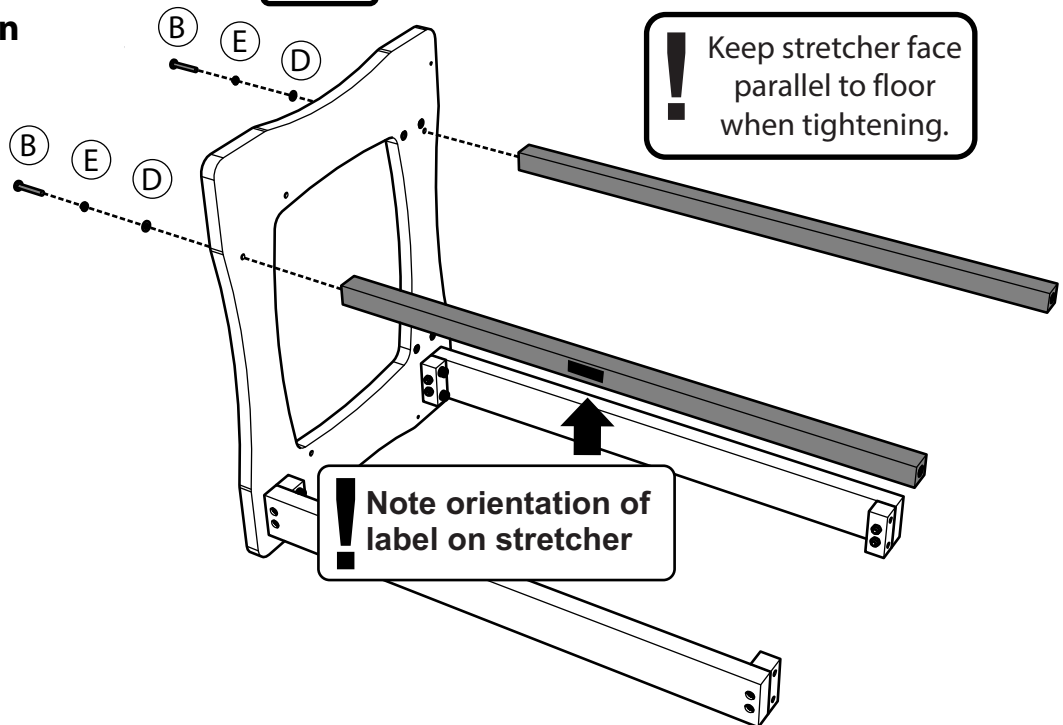
Preschool Configuration



TOP

BOTTOM

! Use this set of holes

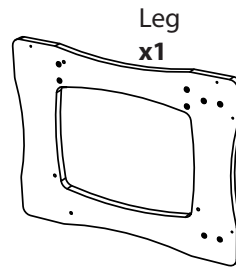


3

Actual Size:



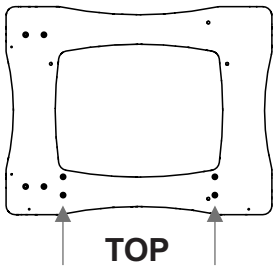
You will need:
(Not to Scale)



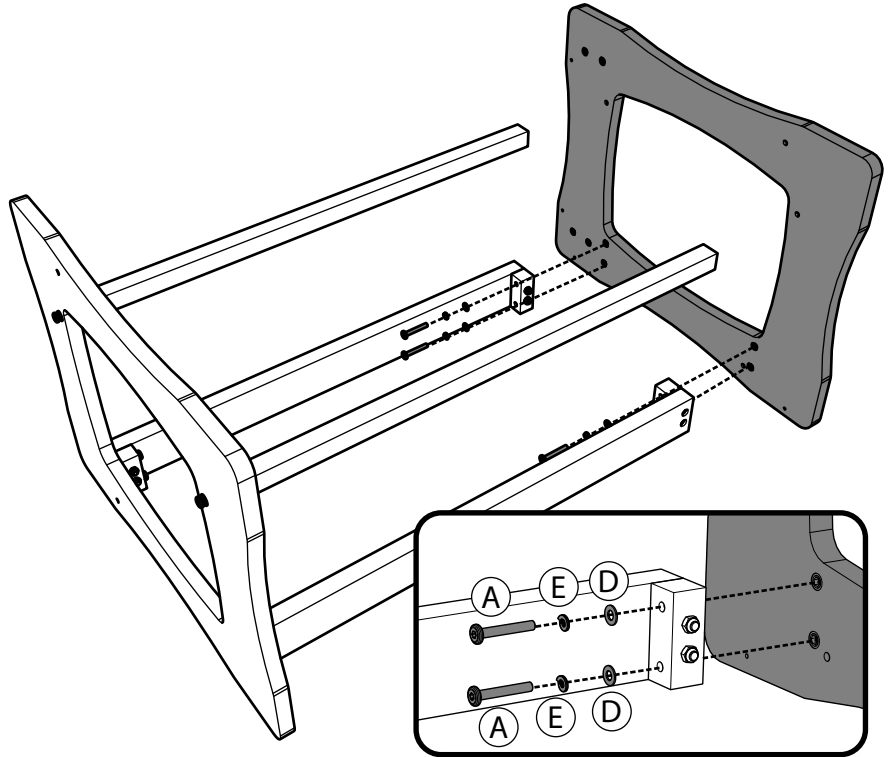
Attach Second leg

Toddler Configuration

BOTTOM



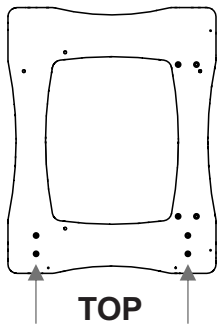
Use this set of holes



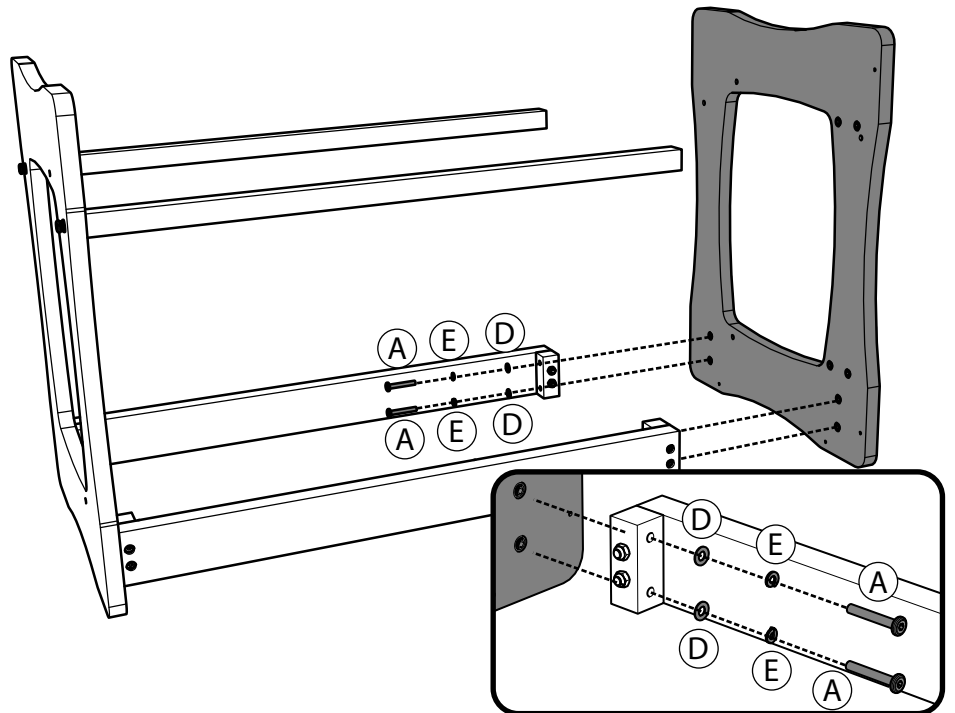
OR

Preschool Configuration

BOTTOM



Use this set of holes



4

Actual Size:

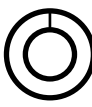
(B)
x2



(D)
x2



(E)
x2



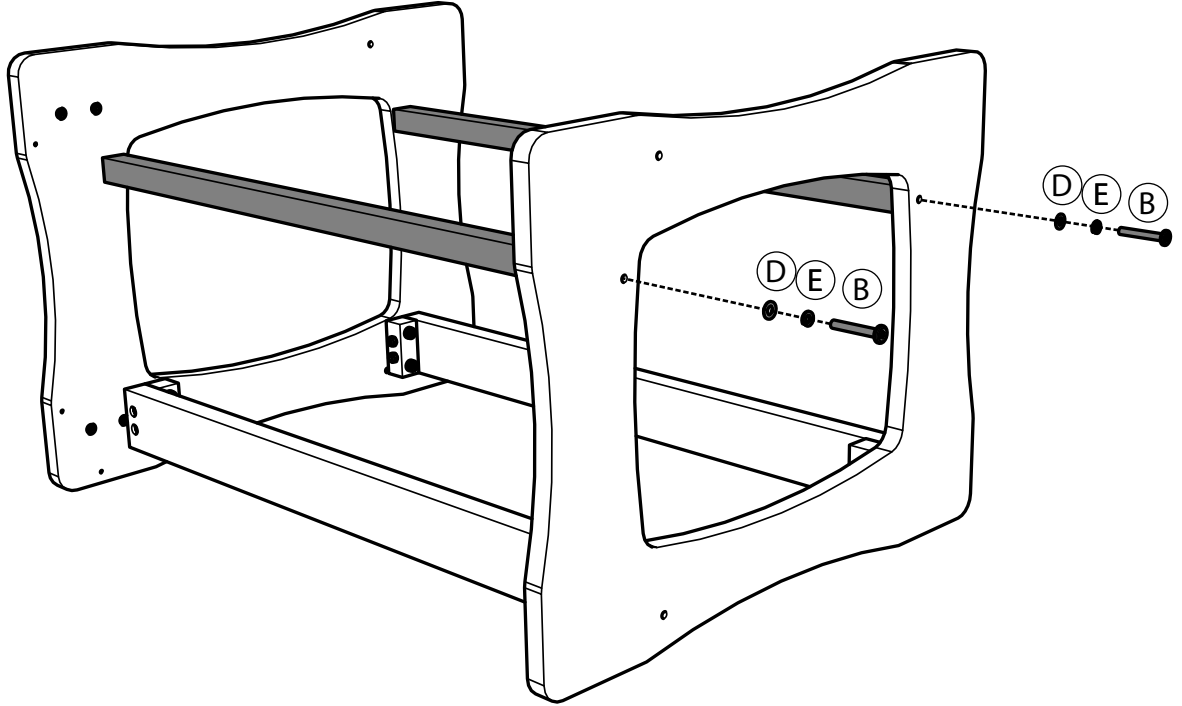
You will need:
(Not to Scale)

Allen Key
1x



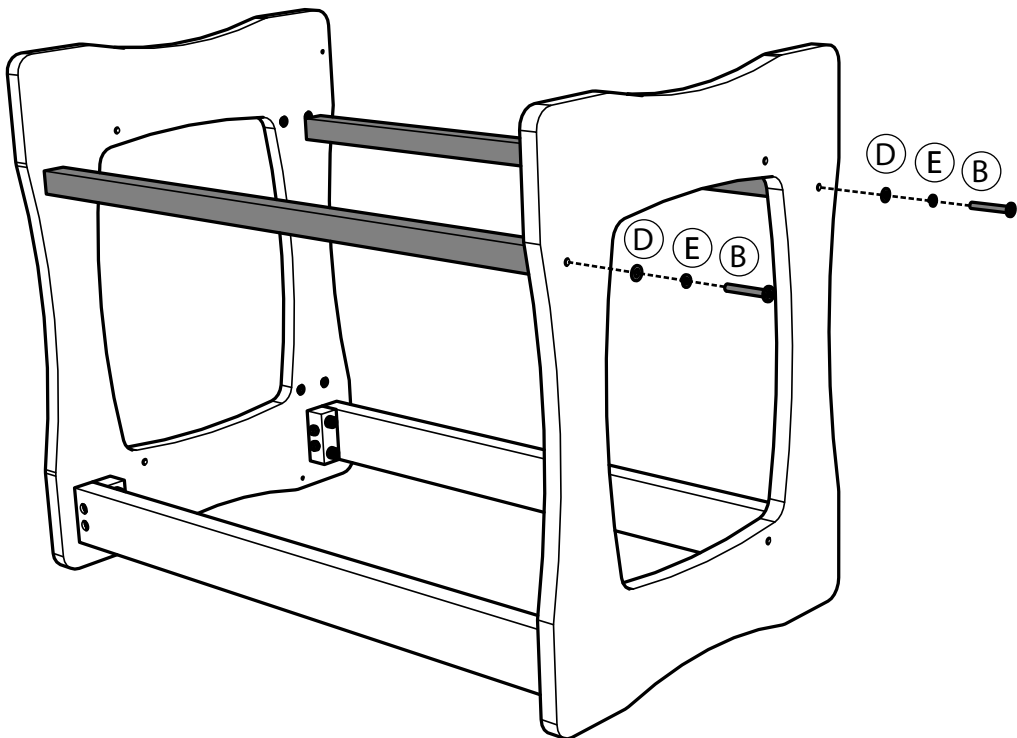
Attach Second leg

Toddler Configuration



OR

Preschool Configuration



5

Actual Size:

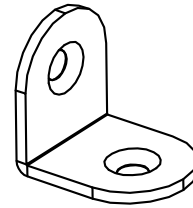


You will need: (Not to Scale)

Tabletop
x1



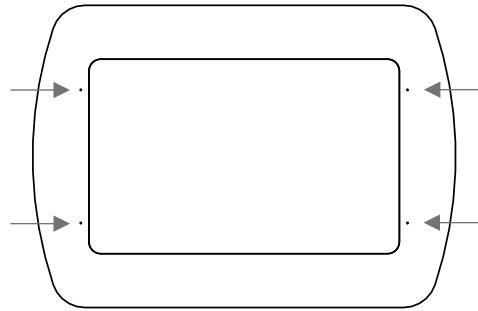
Table top Bracket
x4



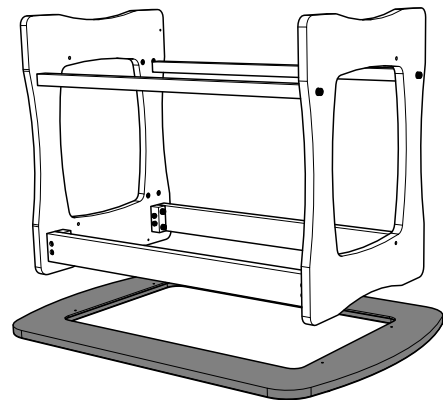
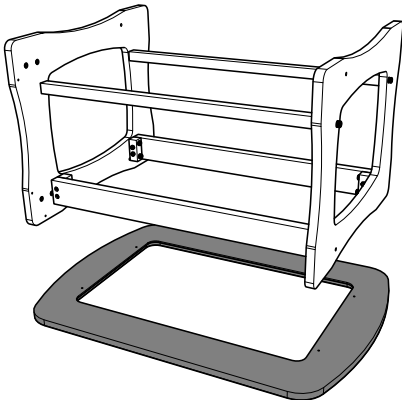
Screwdriver
⊕

Attach tabletop

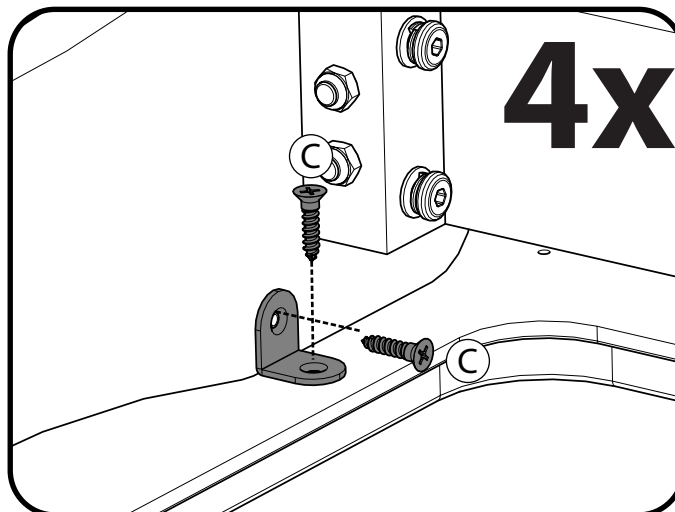
Underside of tabletop has pilot holes for brackets



1 Place the tabletop underneath the frame assembly



2 Install the tabletop brackets in all four corners



! Partially tighten screws. Once all have been installed, fully tighten all screws

3 Now turn table right side up!

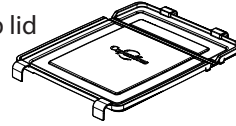
6

You will need (not to scale):

Open Tub
4x

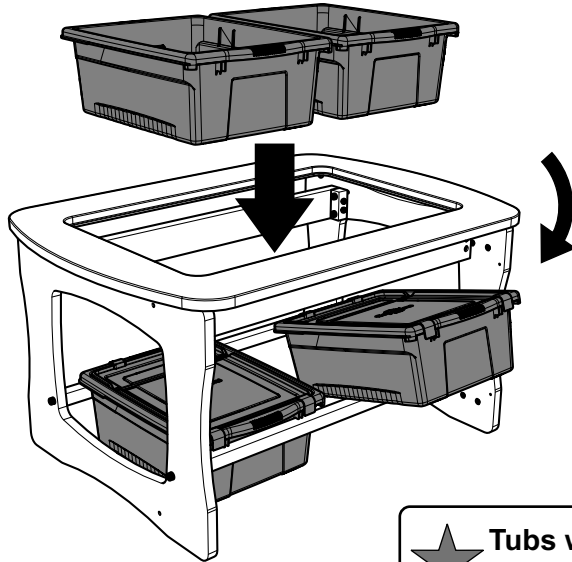


Tub lid
2x

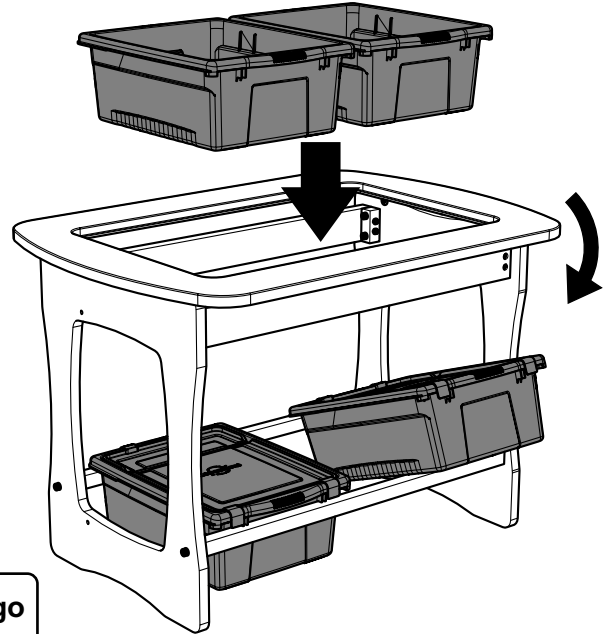


Add Tubs

Toddler Configuration



Preschool Configuration

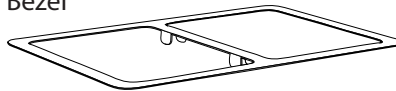


★ Tubs with lids go on the bottom.

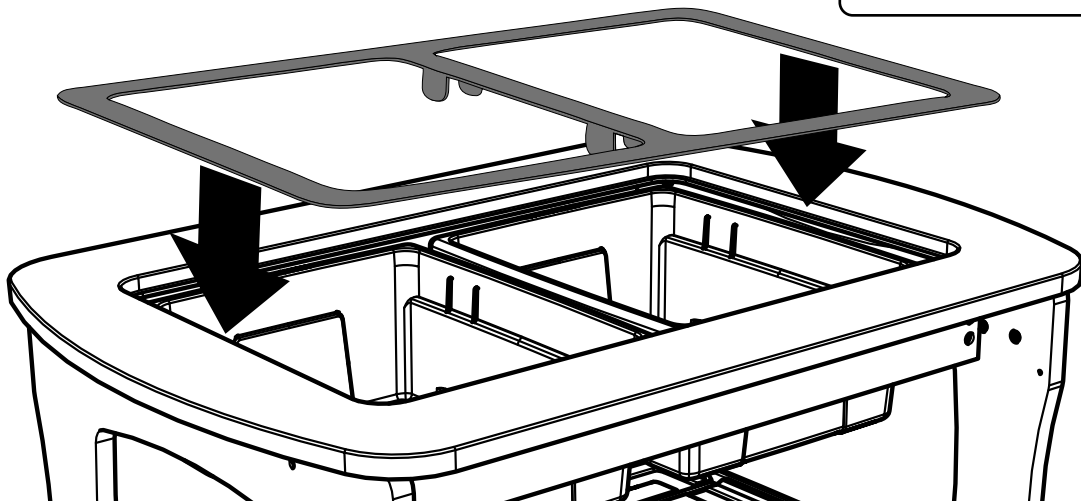
7

You will need (not to scale):

Tub Bezel
1x



Install Tub Bezel



★ The cover is installed to help prevent spills

You will need (not to scale):

Tub Lid
SST01
x1



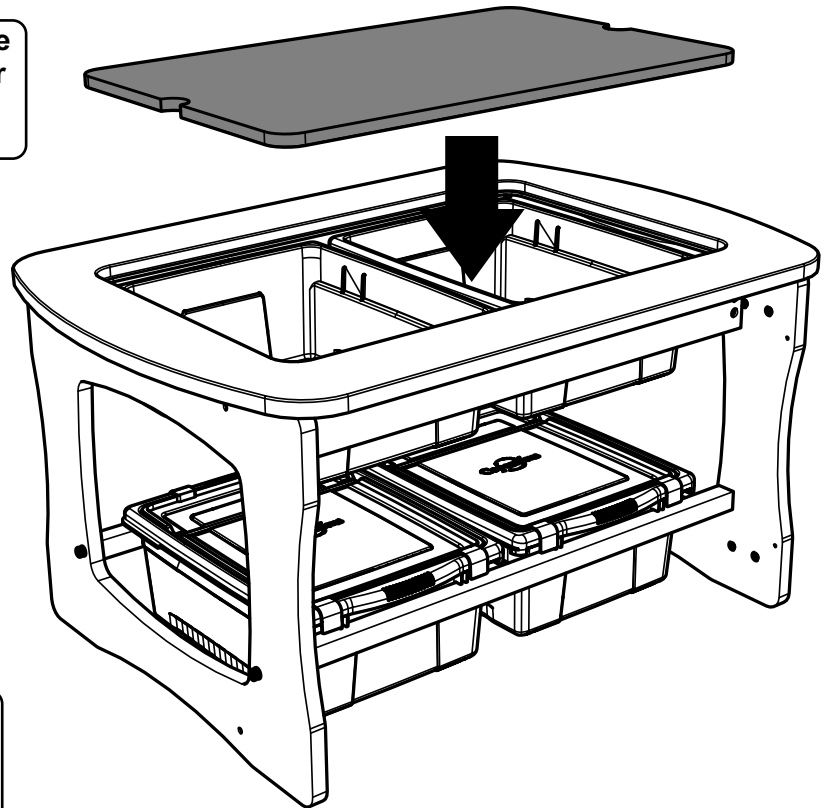
OR

Tub Lid with construction block surface
SST02
x1



Install sensory table lid

★ **SST01 lid can be used with either side facing upwards.**



★ **SST02 has a building block surface on one side of the lid which can face up or down when not in use.**

