

BMB4-0  
BMB4  
BMB5

# Make-Believe Stand

## Assembly Guide



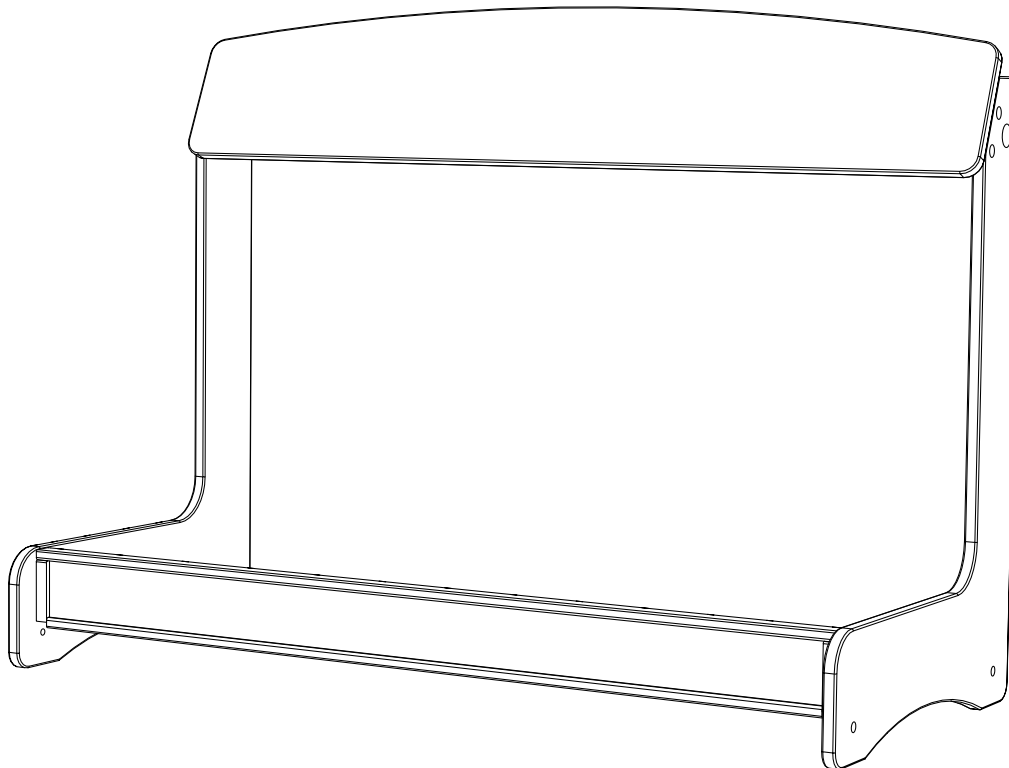
Check out our other products online at [www.copernicused.com](http://www.copernicused.com)

For assistance, please contact us by telephone at **1-800-267-8494** or email at [info@copernicused.com](mailto:info@copernicused.com).

Have your packing slip ready for reference.

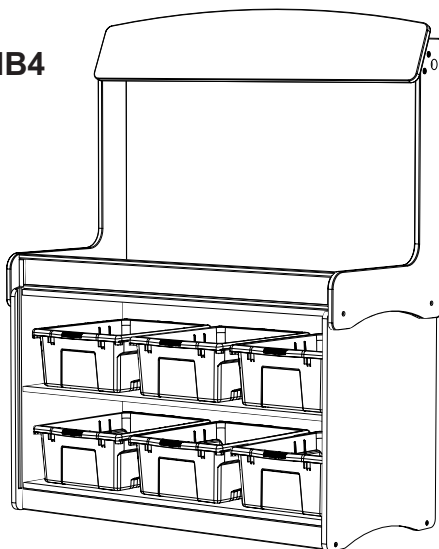


**Do Not Use Power  
Tools for assembly**

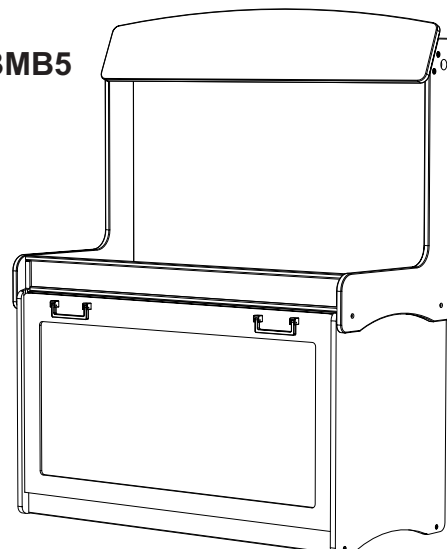


**BMB4-0**

**BMB4**



**BMB5**



**Please Recycle**

# Customer Service & Warranty Information

Dear Educator,

Thank you for purchasing the Make-Believe Stand. We hope it meets your expectations and you and your students enjoy using it at your school.

Every day we see and hear stories of teachers going above and beyond to help students thrive. Thank you so much for all you do – you are awesome, and you make a difference.

Thank you for inspiring us.

If you have any questions, concerns or ideas on how we can improve please let us know by contacting our Customer Solutions Ninjas at 1-800-267-8494 or [info@copernicused.com](mailto:info@copernicused.com).

Happy teaching,

Kaylyn Belcourt, President  
[kaylyn@copernicused.com](mailto:kaylyn@copernicused.com)



We do not inherit the earth from our ancestors, we borrow it from our children.

- NATIVE AMERICAN PROVERB

Change is the end result of all true learning.

- LEO BUSCAGLIA

What you leave behind is not what is engraved in stone monuments, but what is woven into the lives of others.

- PERICLES

Education is the most powerful weapon which you can use to change the world.

- NELSON MANDELA

## For missing parts and other issues regarding your product:

Please contact Customer Service, where we will be happy to help.

Telephone: 1-800-267-8494, Monday - Friday 8:00am - 4:30 pm EST

Email: [info@copernicused.com](mailto:info@copernicused.com)

**Need Support?  
Have a Question?**



Email [Customer Service](mailto:CustomerService)

**Check out some of our  
other great products!**



[www.copernicused.com](http://www.copernicused.com)

**Lifetime**  
All Components  
Warranty

## Register your Product

Registering your warranty ensures we have all the information we need to make any future warranty claims quick and easy. Please visit [www.copernicused.com/warranty](http://www.copernicused.com/warranty) and complete the form within 10 business days from product assembly. By registering your product, you will be entered into a draw to win Copernicus product.

## Make a Warranty Claim

We offer a Lifetime Warranty on almost everything we make. Please call **1-800-267-8494** or email [info@copernicused.com](mailto:info@copernicused.com) to start your warranty claim. Proof of purchase will be required upon warranty claim (i.e. copy of invoice).

## Replace your Whiteboard

Have a well-used whiteboard that needs replacing? Our whiteboards carry a five-year warranty and replacement parts program after the warranty period. Please call **1-800-267-8494** or email [info@copernicused.com](mailto:info@copernicused.com) to get a new whiteboard for your Copernicus product!

## Bamboo Variations

Bamboo has natural variations that are considered normal and are not covered under warranty (i.e. grain irregularities, knots, color). For more information, visit our website at [www.copernicused.com/lifetime-warranty](http://www.copernicused.com/lifetime-warranty).

# Tips for Assembly

## Before You Begin:

- Lay out and identify all of the included parts.
- The hardware has been packed according to step
- Read the assembly guide over once to familiarize yourself with them.

## As You Assemble the Unit:

- Follow the steps in sequence.
- Before beginning each step, find the part(s) that you need for that step.
- The title of each step states what you will be doing. Review the text and the pictures as you build the unit.

## Watch for These Helpful Symbols:



2-Person Task

For safety, please have someone help you when working on steps displaying this symbol.



The symbol denotes a step needing extra attention to ensure it is done correctly.



# Important Information! Warning!

Please read the warnings below for important safety information regarding your product. Failure to read these warnings or to follow the instructions below could result in personal injury or damage to your product that could void your warranty.



### Small Parts

In its unassembled state, this product contains parts that can be hazardous to small children. This product should be assembled by an adult.



### Adult Supervision

This product is to be used under the supervision of an adult.



### Climb Hazard

Do not climb on, hang from or suspend objects from any components of your product unless otherwise specified.



### Indoor Use Only

This product is intended for indoor commercial use only. To reduce the risk of fire or electric shock, do not expose this product to rain or moisture. The internal components are not sealed from the environment.



### Do Not Use Power Tools

This product is not intended to be assembled with the use of power tools. Please use specified hand tools only, failure to do so may result in damage to the product.



# Bamboo Maintenance

When needed, wipe down with mild soapy water. A mild disinfectant can be used. A mild bleach water solution (1:50) can also be used. Wipe cleaning solution off after application.

Recommended cleaning frequency is once monthly, and at minimum, once per school year.

DO NOT leave standing water or cleaning solutions on the bamboo surface.  
DO NOT use harsh chemicals to clean surfaces.

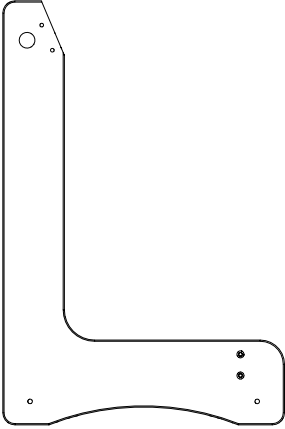
# Parts

## Before beginning, you should have:

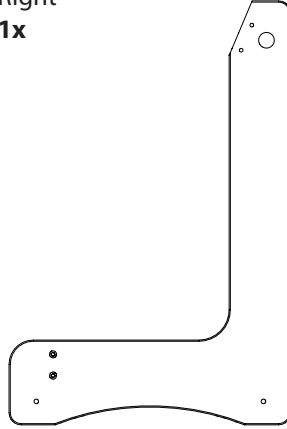
Additional tools required: \_\_\_\_\_

### Box 1

Side Panel  
Left  
1x

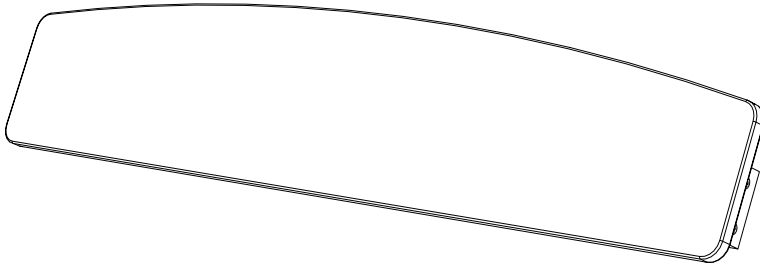


Side Panel  
Right  
1x

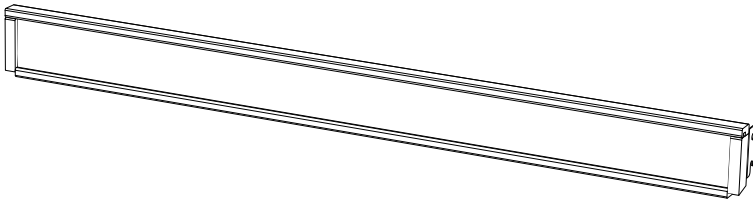


In Box 1

Canopy  
1x



Whiteboard  
1x



### Hardware Actual Size

(A) M6 x 25mm Screw  
4x



(B) M6 x 15mm Screw  
4x



(C) M6 Lock Washer  
8x

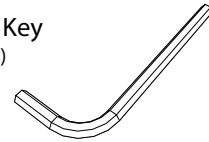


(D) M6 Washer  
8x



### Tools (Not to Scale)

Allen Key  
(43281)  
2x



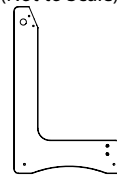
1

Actual Size:



You will need: (Not to Scale)

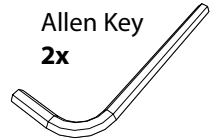
Side Panel  
Left  
1x



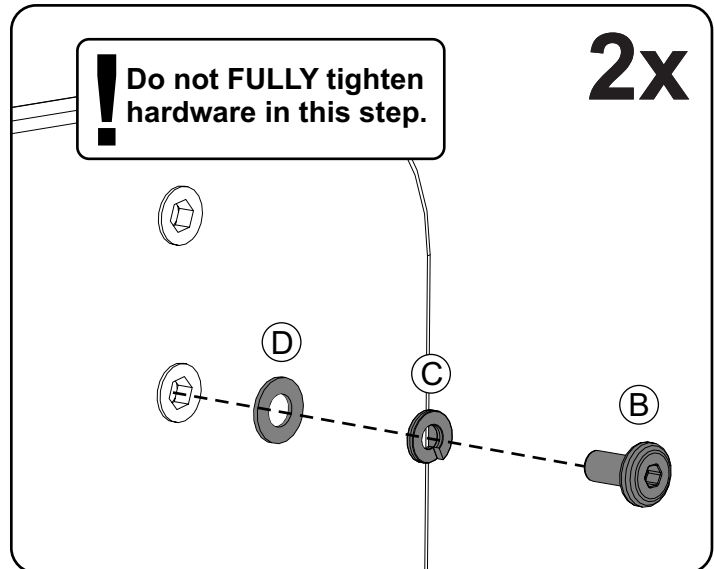
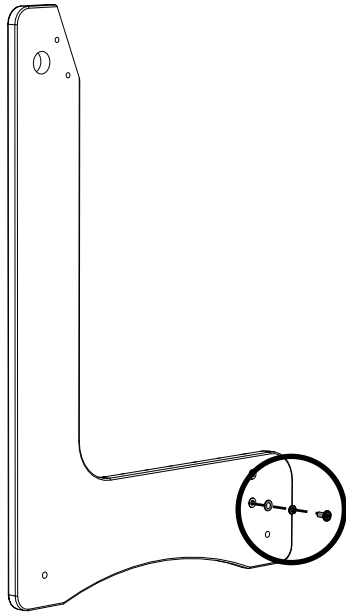
Side Panel  
Right  
1x



Allen Key  
2x



### Partially install the hardware in the bottom hole on each side panel

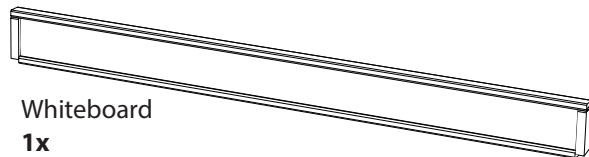


2



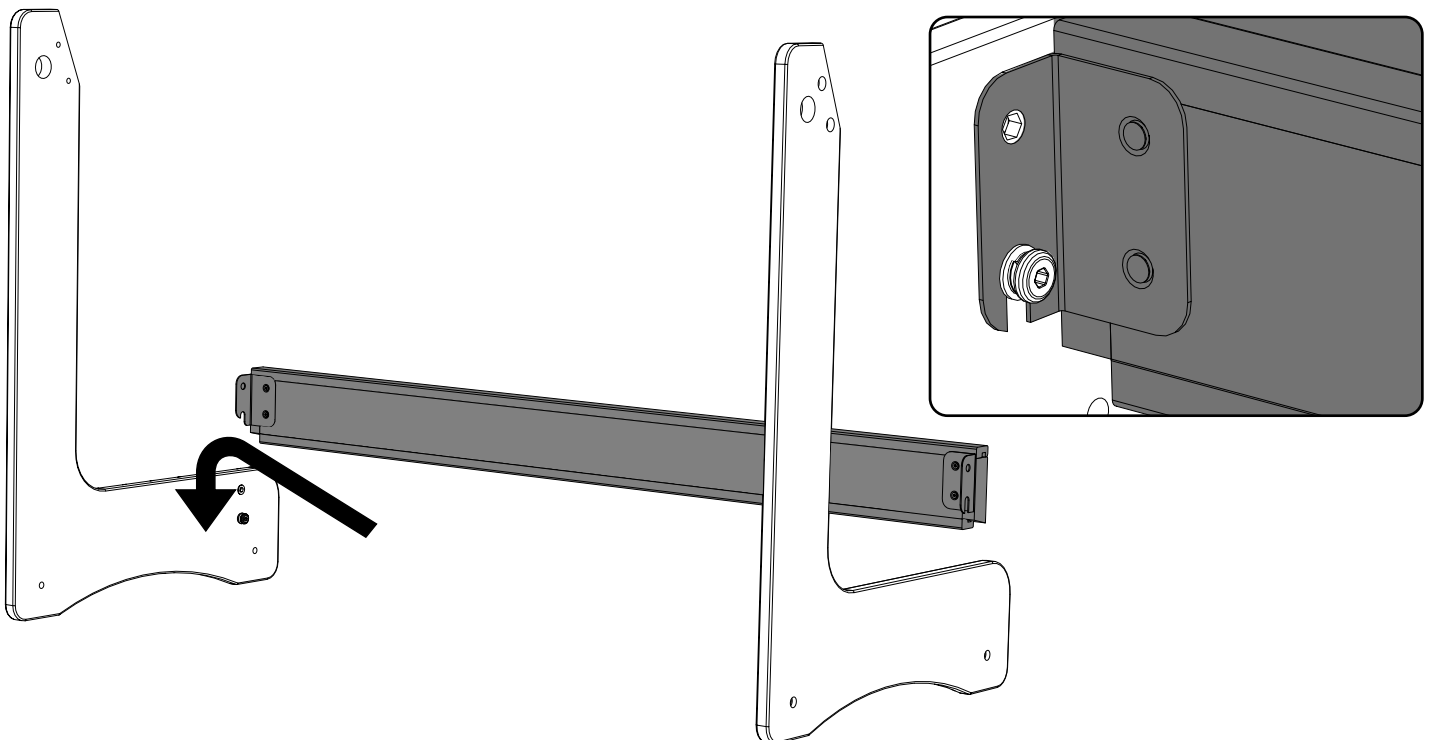
2-Person Task

You will need: (Not to Scale)



Whiteboard  
1x

### Hook whiteboard over hardware in bottom hole on side panels

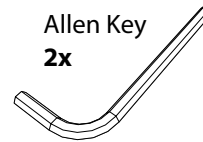


3

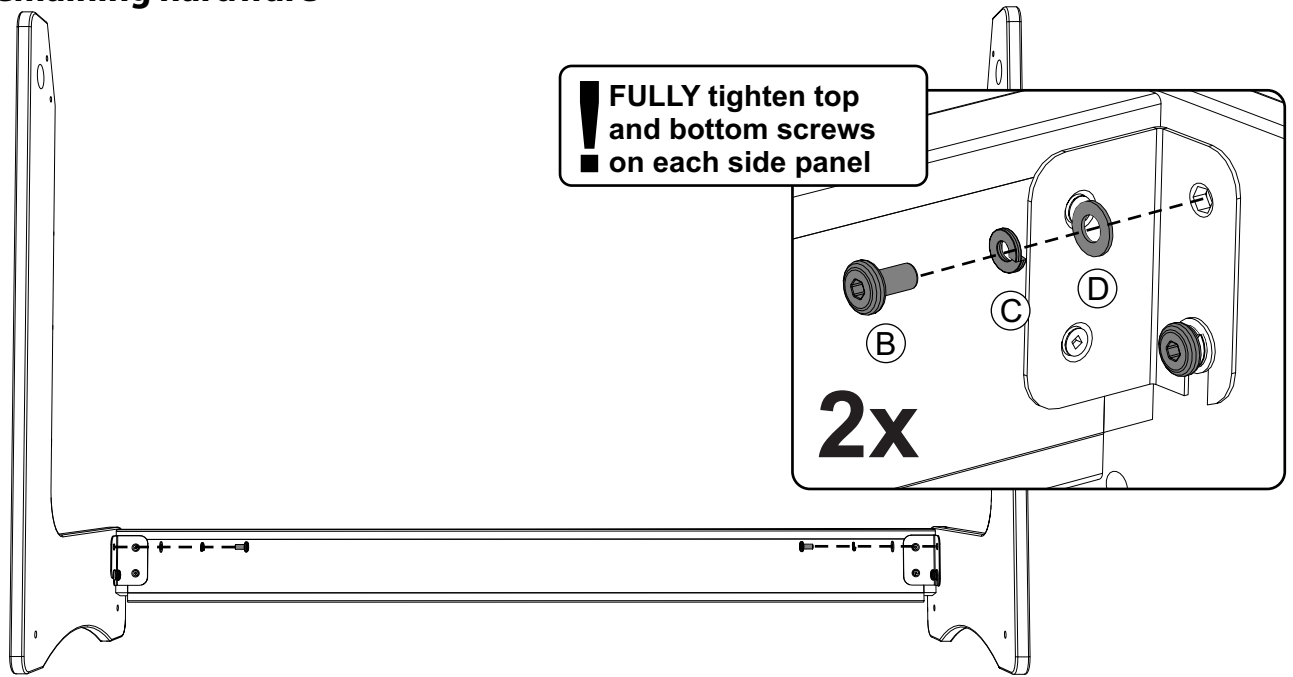
Actual Size:



You will need: (Not to Scale)



### Install remaining hardware



4

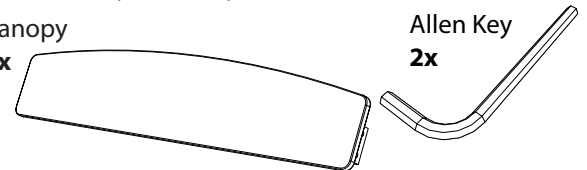
Actual Size:



You will need: (Not to Scale)

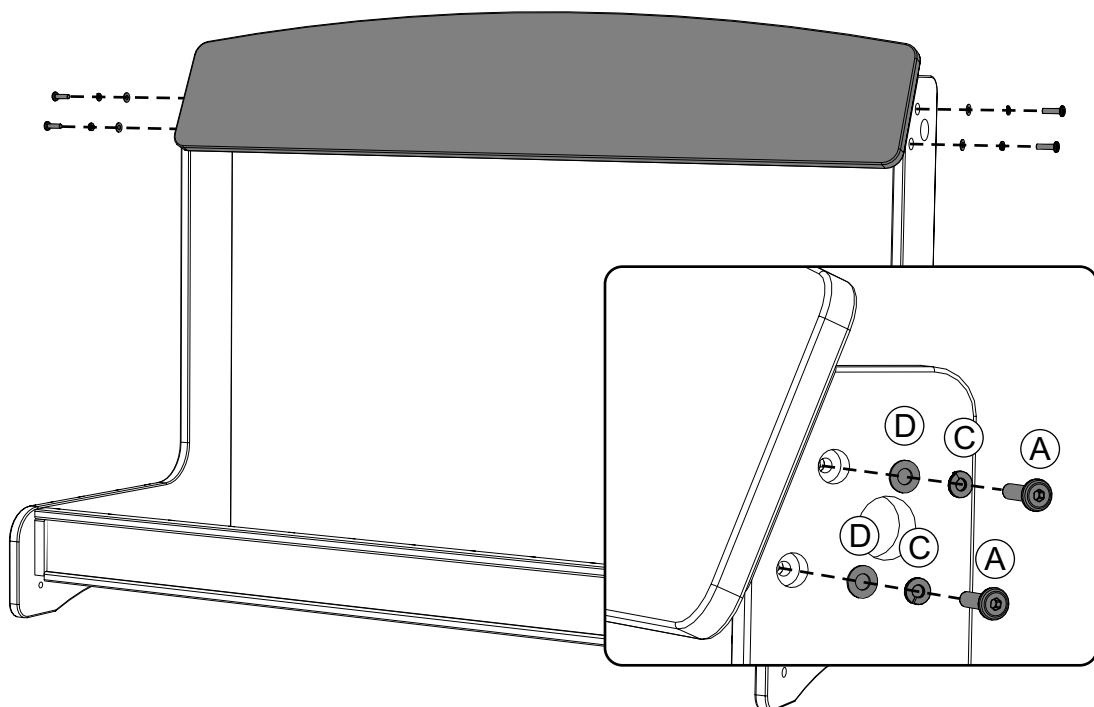
Canopy  
1x

Allen Key  
2x



2-Person Task

### Attach the canopy on both sides to the side panels



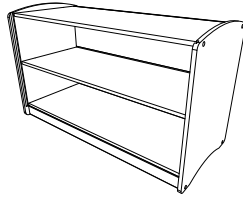
5



2-Person Task

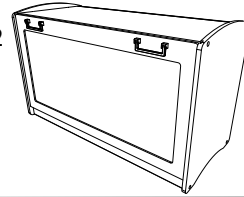
You will need: (Not to Scale)

BAM1  
1x

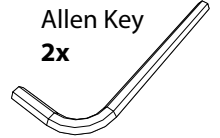


OR

BAM2  
1x

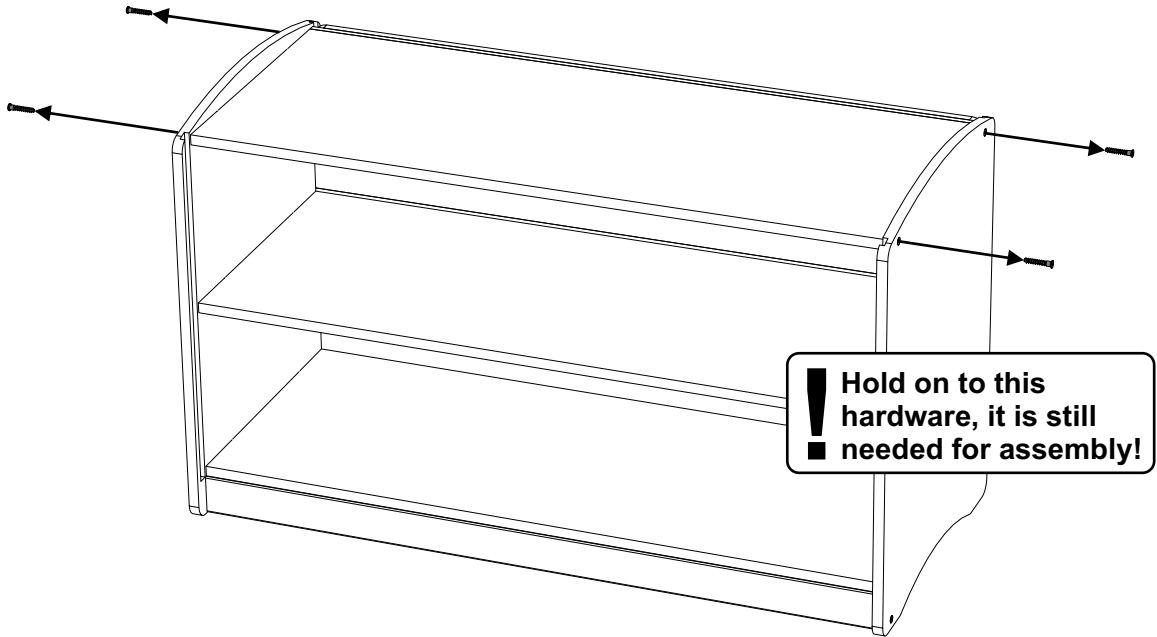


Allen Key  
2x

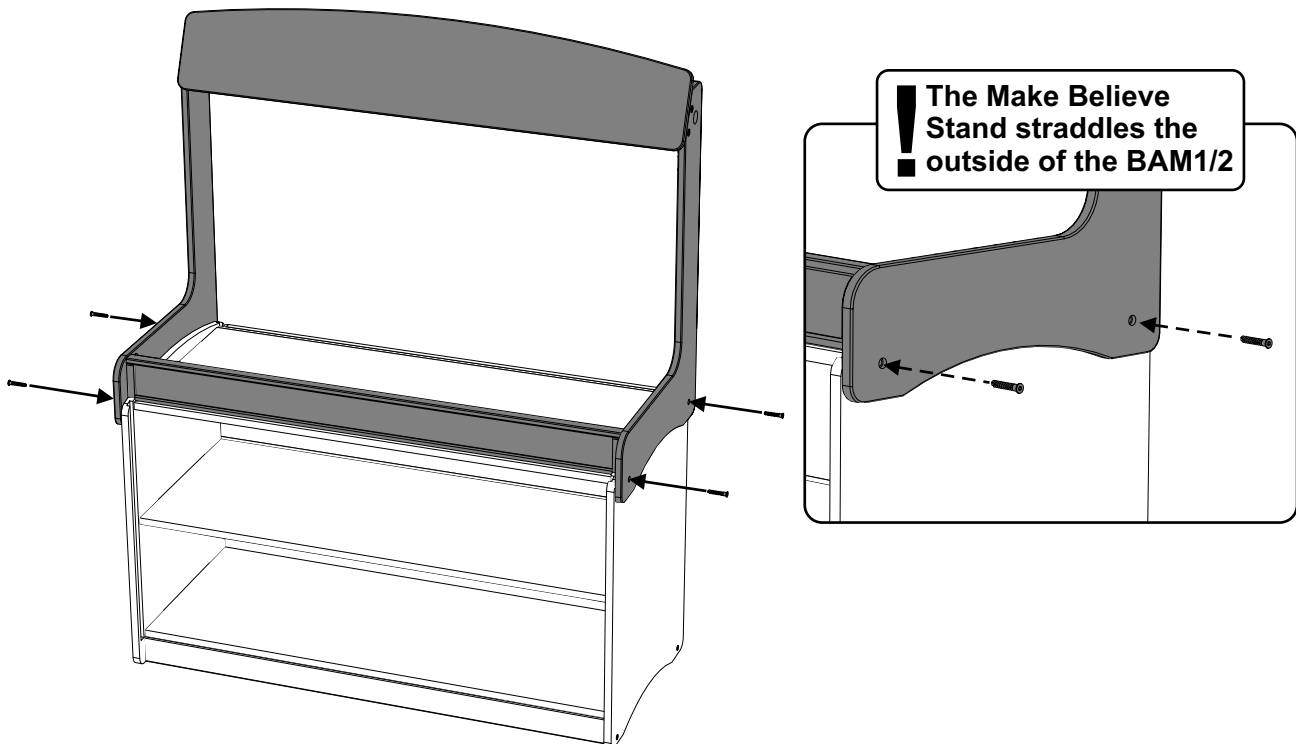


## Attach the Make-Believe stand to the BAM1 or BAM2

- 1 Remove hardware from the top two holes on either side panel



- 2 Position the Make Believe Stand over the BAM1/BAM2 shelf and reinstall the hardware you removed

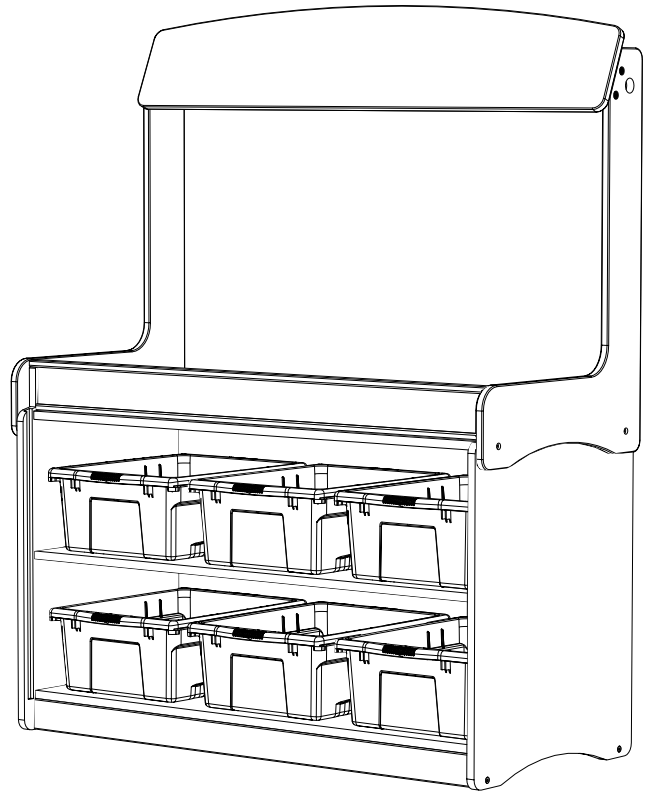




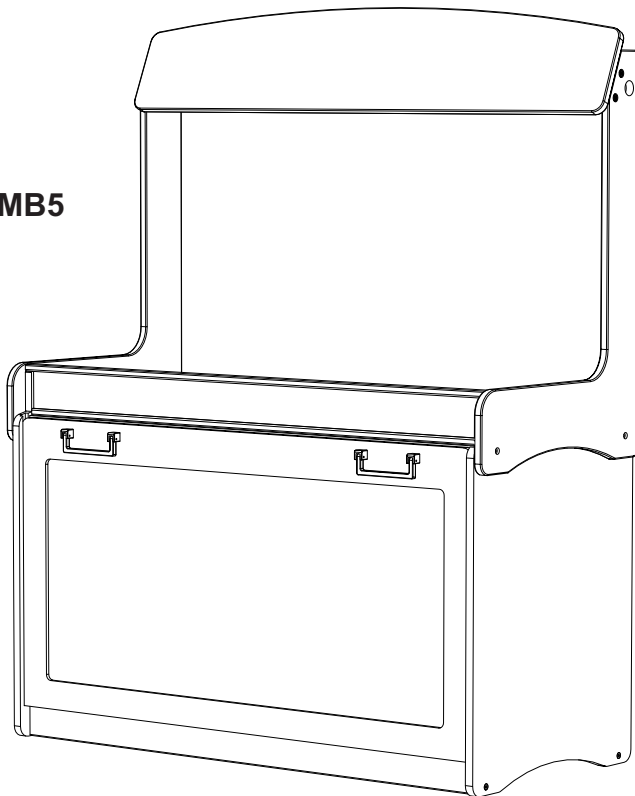
## Final Assembly Checks

Check entire assembly for loose parts; tighten bolts and screws

BMB4



BMB5



**!** BAM2's removable whiteboard panel can be stored on front or back of unit when Make Believe Stand is attached.