

SCC-AC102  
SCC-AC202

# Self-regulation Classroom Cruiser Large Desktop Surface



## Assembly Guide

Check out our other products online at [www.copernicused.com](http://www.copernicused.com)

For assistance, please contact us by telephone at **1-800-267-8494** or email at [info@copernicused.com](mailto:info@copernicused.com).

Have your packing slip ready for reference.



This SCC-AC102/202 box contains the parts to assemble the backrest and desktop only. Follow steps in the SCC102/SCC202 assembly guide FIRST before following the steps in this assembly guide.



Please Recycle

SCC-AC102/202\_SCC101/201 - Version 2024\_A - Released Sept 19, 2024 - Copernicus Educational Products Inc.

# Customer Service & Warranty Information

Dear Educator,

Thank you for purchasing the Self-regulation Classroom Cruiser with Large Desktop Surface. We hope it meets your expectations and you and your students enjoy using it at your school. Every day we see and hear stories of teachers going above and beyond to help students thrive. Thank you so much for all you do – you are awesome, and you make a difference. Thank you for inspiring us.

If you have any questions, concerns or ideas on how we can improve please let us know by contacting our Customer Solutions Ninjas at 1-800-267-8494 or [info@copernicused.com](mailto:info@copernicused.com).

Happy teaching,

Kaylyn Belcourt, President  
[kaylyn@copernicused.com](mailto:kaylyn@copernicused.com)



We do not inherit the earth from our ancestors, we borrow it from our children.

- NATIVE AMERICAN PROVERB

Change is the end result of all true learning.

- LEO BUSCAGLIA

What you leave behind is not what is engraved in stone monuments, but what is woven into the lives of others.

- PERICLES

Education is the most powerful weapon which you can use to change the world.

- NELSON MANDELA

## For missing parts and other issues regarding your product:

Please contact Customer Service, where we will be happy to help.  
Telephone: 1-800-267-8494, Monday - Friday 8:00am - 4:30 pm EST  
Email: [info@copernicused.com](mailto:info@copernicused.com)

**Need Support?  
Have a Question?**



Email [Customer Service](mailto:CustomerService)

**Check out some of our  
other great products!**



[www.copernicused.com](http://www.copernicused.com)

**6 Year**

Frame Warranty

### Register your Product

Registering your warranty ensures we have all the information we need to make any future warranty claims quick and easy. Please visit [www.copernicused.com/warranty](http://www.copernicused.com/warranty) and complete the form within 10 business days from product assembly. By registering your product, you will be entered into a draw to win Copernicus product.

**2 Year**

Moving  
Components  
Warranty

### Make a Warranty Claim

We offer a Lifetime Warranty on almost everything we make. Please call **1-800-267-8494** or email [info@copernicused.com](mailto:info@copernicused.com) to start your warranty claim. Proof of purchase will be required upon warranty claim (i.e. copy of invoice).

# Tips for Assembly

## Before You Begin:

- Lay out and identify all of the included parts.
- The hardware has been packed according to step.
- Read the assembly guide over once to familiarize yourself with them.

## As You Assemble the Unit:

- Follow the steps in sequence.
- Before beginning each step, find the part(s) that you need for that step.
- The title of each step states what you will be doing. Review the text and the pictures as you build the unit.

### Watch for this helpful symbol:



The symbol denotes a step needing extra attention to ensure it is done correctly.



# Important Information! Warning!

Please read the warnings below for important safety information regarding your product. Failure to read these warnings or to follow the instructions below could result in personal injury or damage to your product that could void your warranty.



### Small Parts

In its unassembled state, this product contains parts that can be hazardous to small children. This product should be assembled by an adult.



### Adult Supervision

This product is to be used under the supervision of an adult.



### No Maintenance

This product does **NOT** require maintenance. Repairs should only be performed by authorized personnel. Please contact customer service if repairs are required.



### Climb Hazard

Do not climb on, hang from or suspend objects from any components of your product unless otherwise specified.

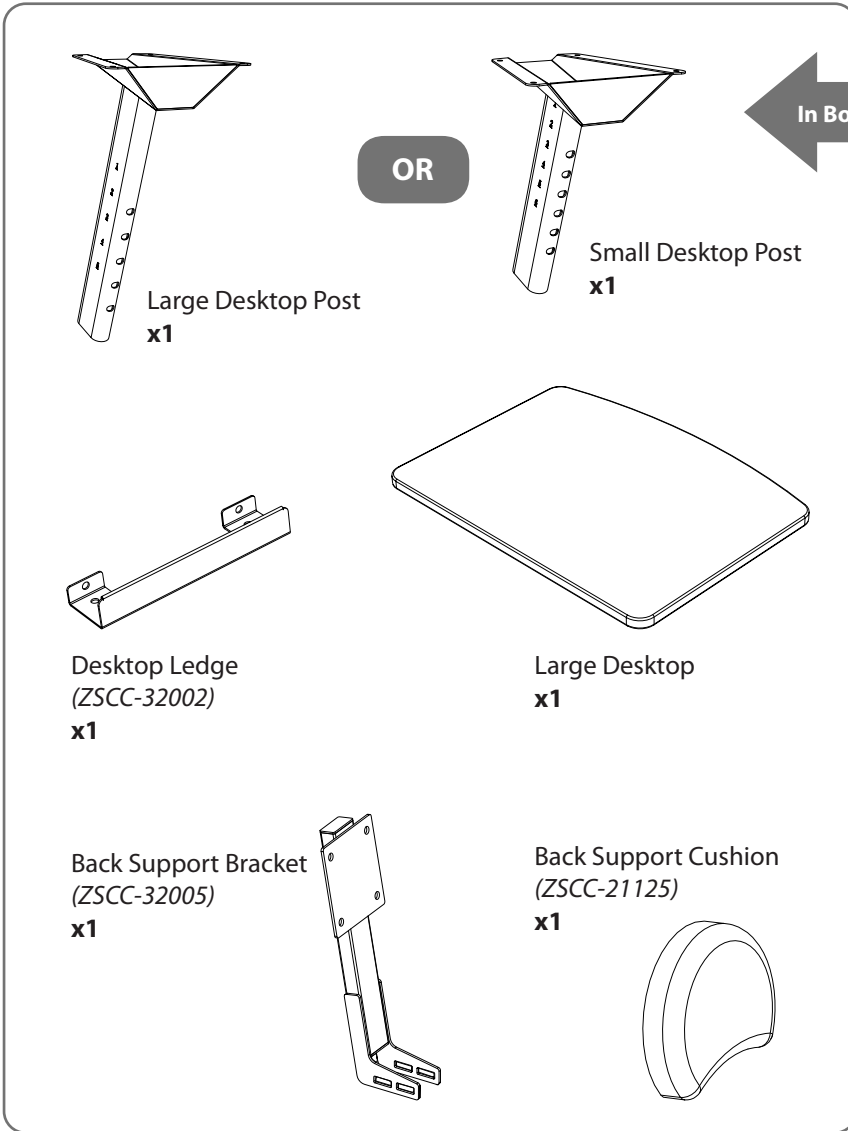


### Indoor Use Only






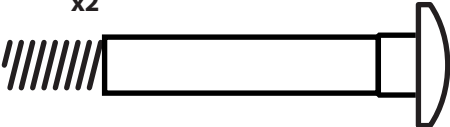

This product is intended for indoor commercial use only. To reduce the risk of fire or electric shock, do not expose this product to rain or moisture. The internal components are not sealed from the environment.

# Parts

**Before beginning, you should have:**

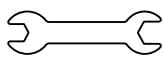


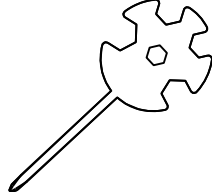
Hardware  
Actual Size

- (A) M6 x 15mm  
(ZSCC-43009)  
x6 
- (B) M6 Lock Washer  
(ZSCC-43020)  
x6 
- (C) M6 Flat Washer  
(ZSCC-43026)  
x6 
- (D) M8 x 15mm  
(ZSCC-43016)  
x4 
- (E) M8 Flat Washer  
(ZSCC-43022)  
x6 
- (F) M8 x 55mm Carriage Bolt  
(ZSCC-43019)  
x2 
- (G) M8 Lock Nut  
(ZSCC-43025)  
x2 



**These items can be found in the same box as your Self-regulation Classroom Cruiser.**

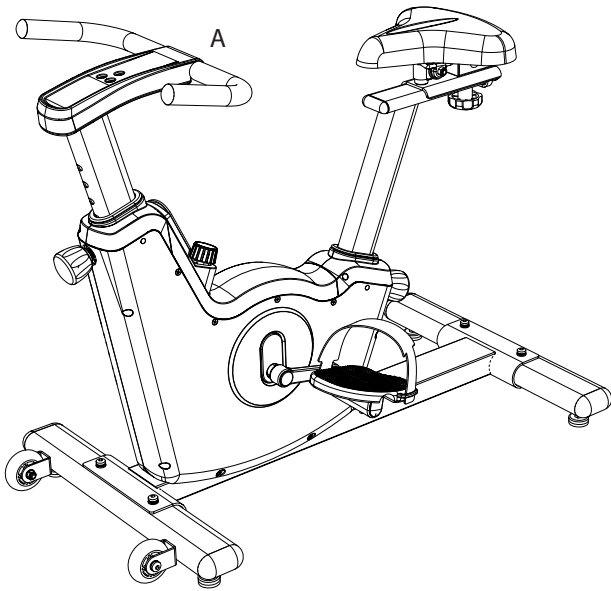
Wrench  
(ZSCC-43043)  
x1 

Multi Tool  
(ZSCC-43042)  
1x 

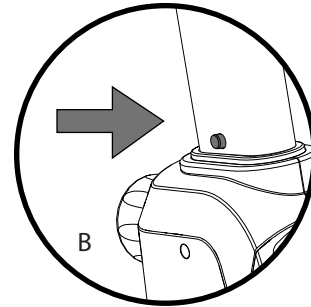
Allen Key - Large  
(ZSCC-43040)  
1x 



## Assemble the Self-regulation Classroom Cruiser before following the steps in this guide.



Your bike includes two handle options: a large desktop and a riding handlebars (A).

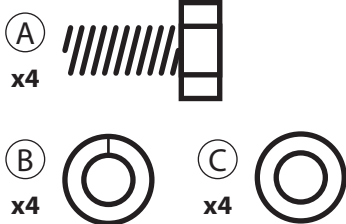


To switch your handle, lift post to the tallest point. Continue lifting post and press button (B) to allow post to be fully removed from base.

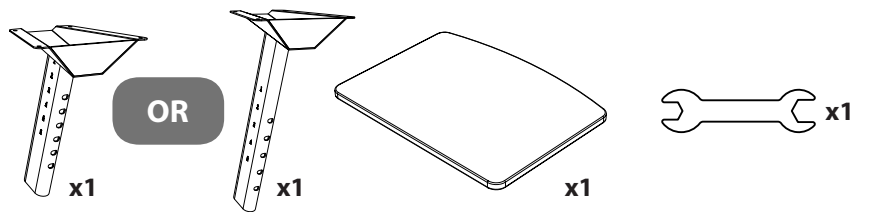
Refer to the assembly instructions included with SCC102/SCC202 box on how to adjust position of desktop and seats for proper riding.

1

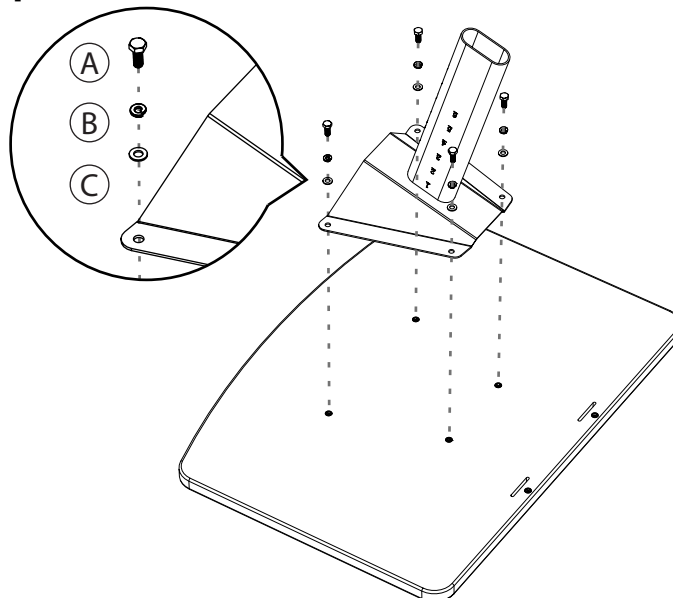
Actual Size:



You will need: (Not to Scale)

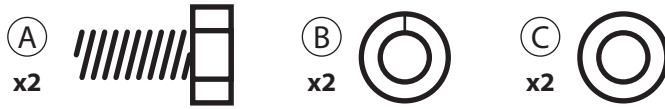


### Assemble post to desktop

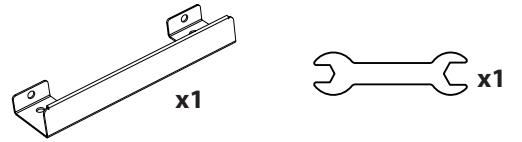


2

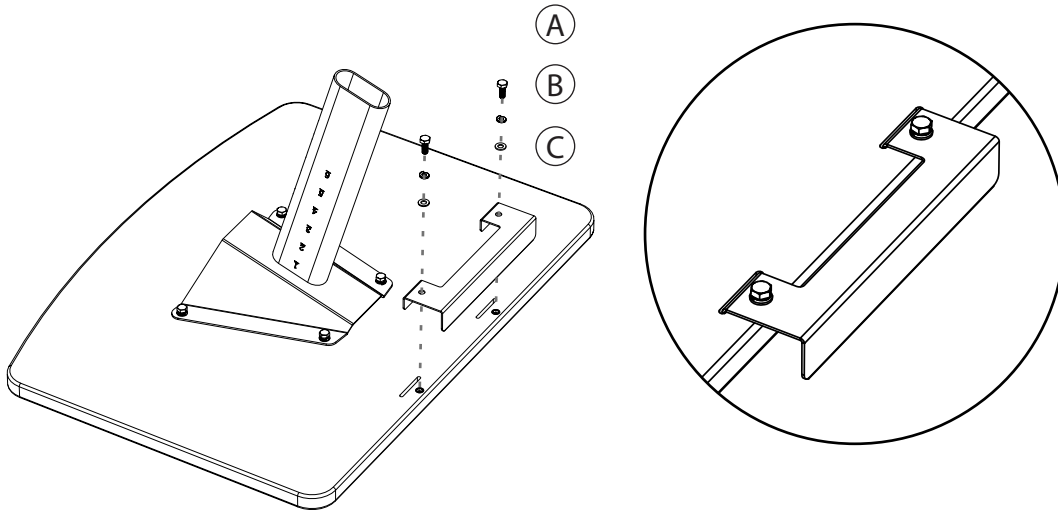
Actual Size:



You will need: (Not to Scale)

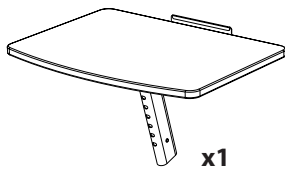


### Assemble ledge to desktop

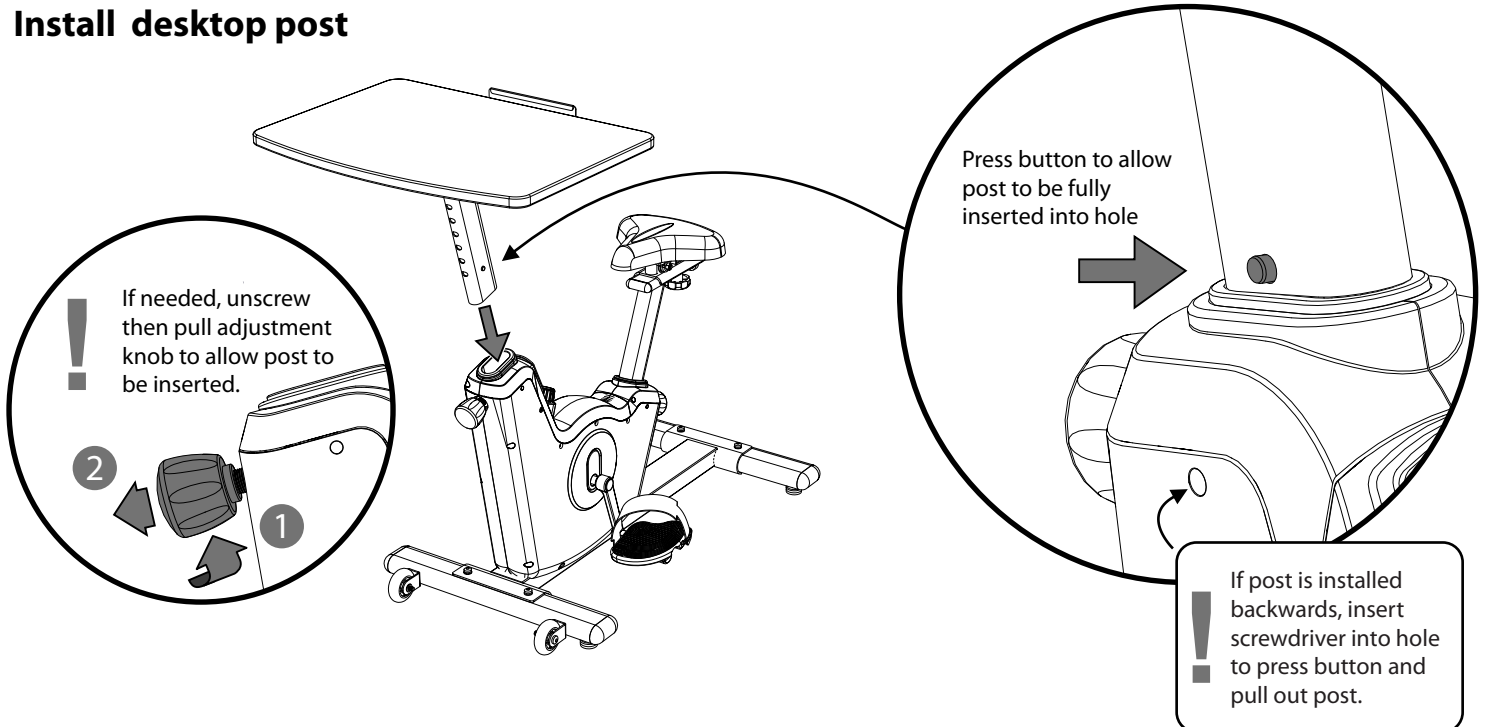


3

You will need: (Not to Scale)



### Install desktop post

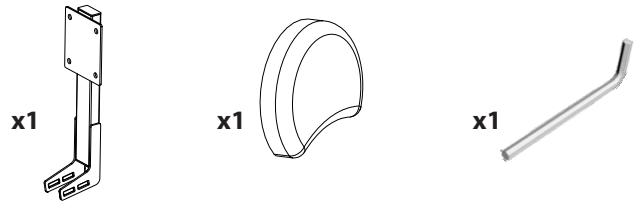


4

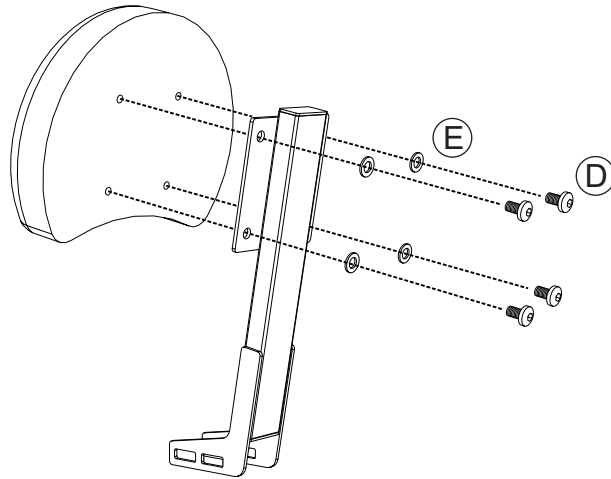
Actual Size:



You will need: (Not to Scale)

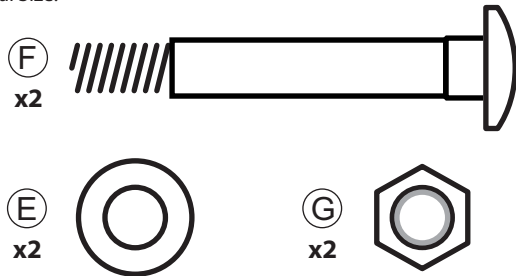


### Assemble cushion to bracket

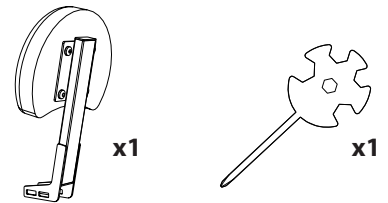


5

Actual Size:



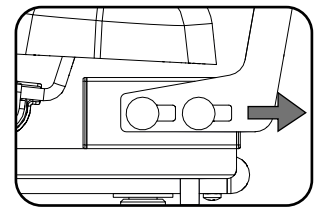
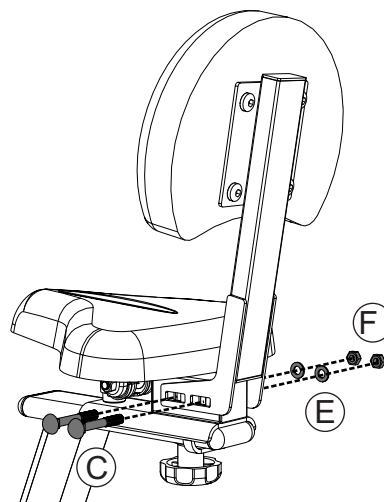
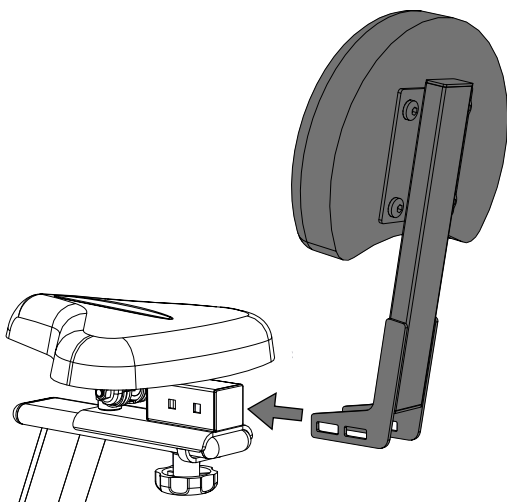
You will need: (Not to Scale)



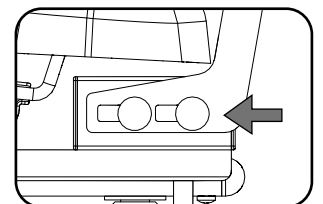
### Attach back rest assembly

1 Slide the back rest assembly onto fore-aft bracket

2 Secure with hardware



Back rest can slide backwards for larger users



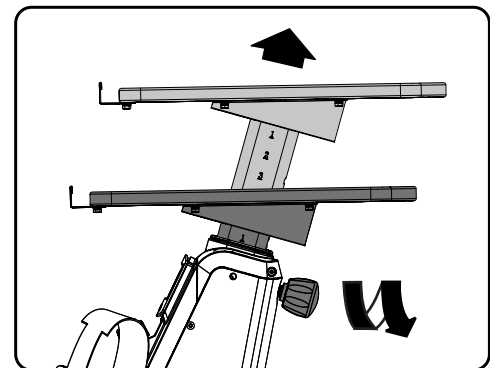
Back rest can slide forwards for smaller users

**Finished!****How to Adjust Handle Bar Post**

To adjust the handle bar height, first turn the handle bar post knob counter-clockwise approximately 3 turns to loosen it.

Next, pull the knob, slide the handle bar post upward or downward to the desired position, and then release the knob.

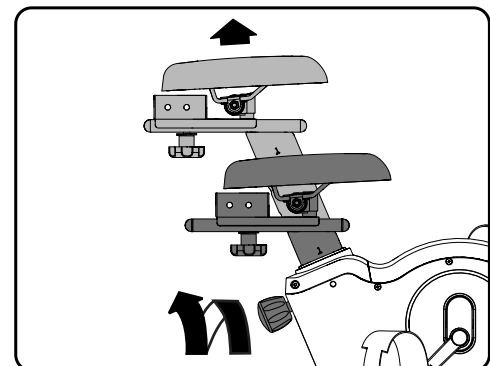
Move the handle bar post up or down slightly until you feel a pop, to make sure that the knob is engaged in one of the adjustment holes in the seat post. Then, turn the knob clockwise to tighten it firmly.

**How to Adjust Seat Post and Saddle Position**

To adjust the seat, first turn the seat post knob counterclockwise approximately 3 turns to loosen it.

Next, pull the knob, slide the seat post upward or downward to the desired position, and then release the knob.

Move the seat post up or down slightly until you feel a pop, to make sure that the knob is engaged in one of the adjustment holes in the seat post. Then, turn the knob clockwise to tighten it firmly.

**How to Adjust Fore-Aft Seat Position**

To adjust seat forward or backwards, loosen adjustment knob. Tighten when in desired position.

