

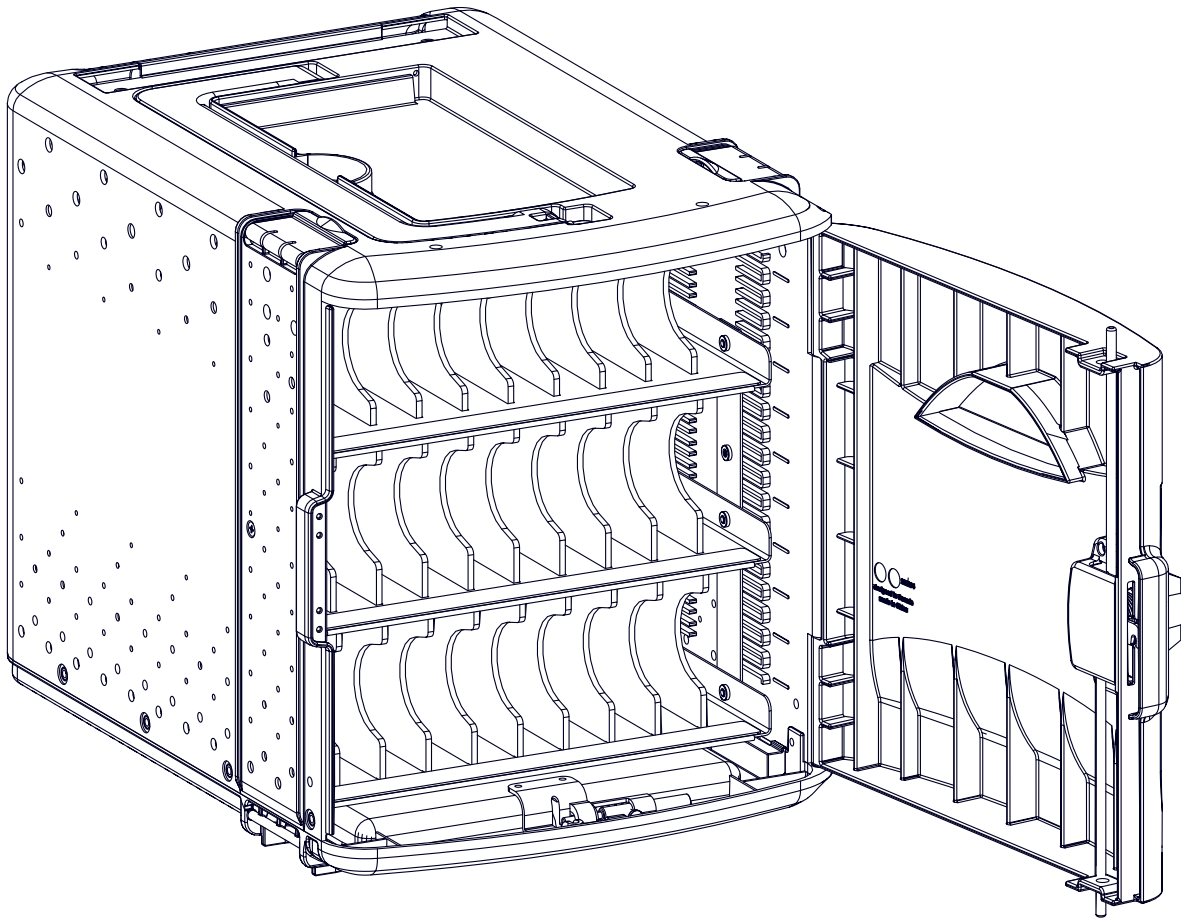


Assembly Guide

Check out our other products online at www.copernicused.com

For assistance, please contact us by telephone at **1-800-267-8494** or email at info@copernicused.com.

Have your packing slip ready for reference.



Customer Service & Warranty Information

Dear Educator,

Thank you for purchasing the Tech Tub2® for Phone Storage. We hope it meets your expectations and you and your students enjoy using it at your school.

Every day we see and hear stories of teachers going above and beyond to help students thrive. Thank you so much for all you do – you are awesome, and you make a difference.

Thank you for inspiring us.

If you have any questions, concerns or ideas on how we can improve please let us know by contacting our Customer Solutions Ninjas at 1-800-267-8494 or info@copernicused.com.

Happy teaching,

Kaylyn Belcourt, President
kaylyn@copernicused.com



For missing parts and other issues regarding your product:

Please contact Customer Service, where we will be happy to help.

Telephone: 1-800-267-8494, Monday - Friday 8:00am - 4:30 pm EST

Email: info@copernicused.com

Need Support? Have a Question?



Email [Customer Service](mailto:info@copernicused.com)

Check out some of our other great products!



www.copernicused.com



Register your Product

Registering your warranty ensures we have all the information we need to make any future warranty claims quick and easy. Please visit www.copernicused.com/warranty and complete the form within 10 business days from product assembly. By registering your product, you will be entered into a draw to win Copernicus product.

Make a Warranty Claim

We offer a Lifetime Warranty on almost everything we make. Please call **1-800-267-8494** or email info@copernicused.com to start your warranty claim. Proof of purchase will be required upon warranty claim (i.e. copy of invoice).

Tips for Assembly

Before You Begin:

- Lay out and identify all of the included parts.
- The hardware has been packed according to step
- Read the assembly guide over once to familiarize yourself with them.

As You Assemble the Unit:

- Follow the steps in sequence.
- Before beginning each step, find the part(s) that you need for that step.
- The title of each step states what you will be doing. Review the text and the pictures as you build the unit.

Watch for These Helpful Symbols:



2-Person Task

For safety, please have someone help you when working on steps displaying this symbol.



The symbol denotes a step needing extra attention to ensure it is done correctly.



Important Information! Warning!

Please read the warnings below for important safety information regarding your product. Failure to read these warnings or to follow the instructions below could result in personal injury or damage to your product that could void your warranty.



Small Parts

In its unassembled state, this product contains parts that can be hazardous to small children. This product should be assembled by an adult.



Adult Supervision

This product is to be used under the supervision of an adult.



Indoor Use Only

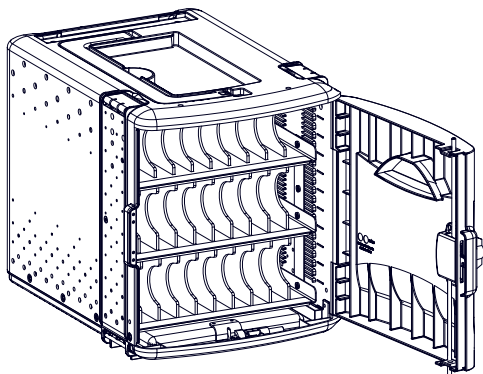
This product is intended for indoor commercial use only. To reduce the risk of fire or electric shock, do not expose this product to rain or moisture. The internal components are not sealed from the environment.

Parts

Before beginning, you should have:

PHS02

PHS02
x1



Keys
Not to scale
x2



Locking Pin Hardware

(A) Back Foot Anchor Pin
2x



(B) M5 Washer
x2



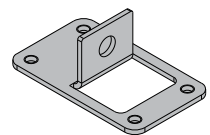
(C) M5 Lock Nut
x2



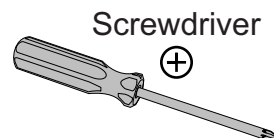
(D) M4 x 15mm
4x



Front Pin Bracket
1x
Not to scale



Adjustable wrench



Screwdriver

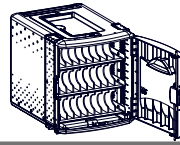


5mm Drive
Allen Key
Not to Scale
1x

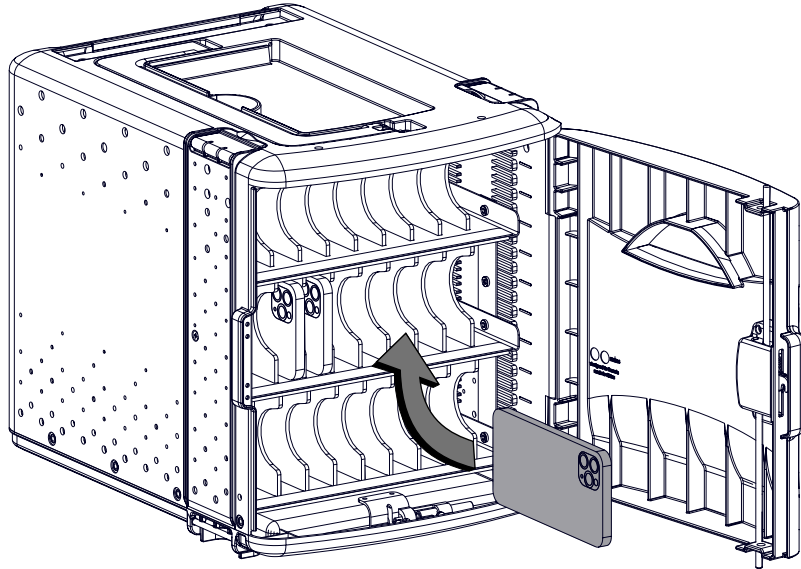
1

You will need: (Not to Scale)

PHS02
x1



Store phones in individual slots provided inside the tub.



2

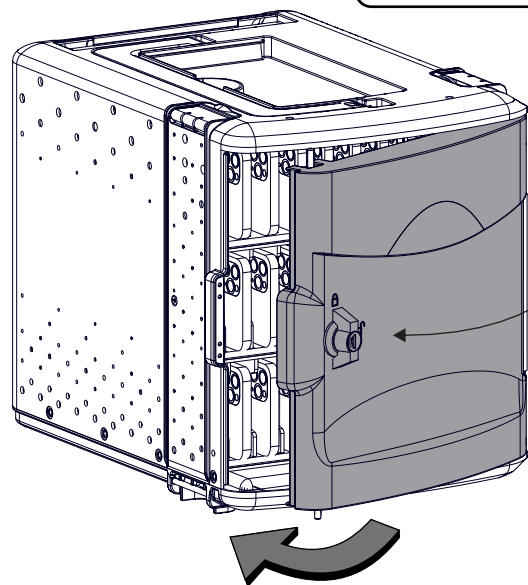
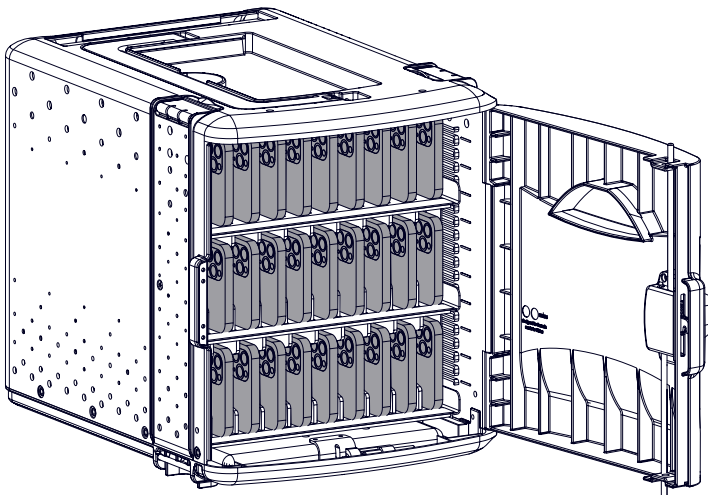
You will need: (Not to Scale)

Keys
Not to scale
x2



Lock front door with key provided if desired

Note:
Door will not
lock without key



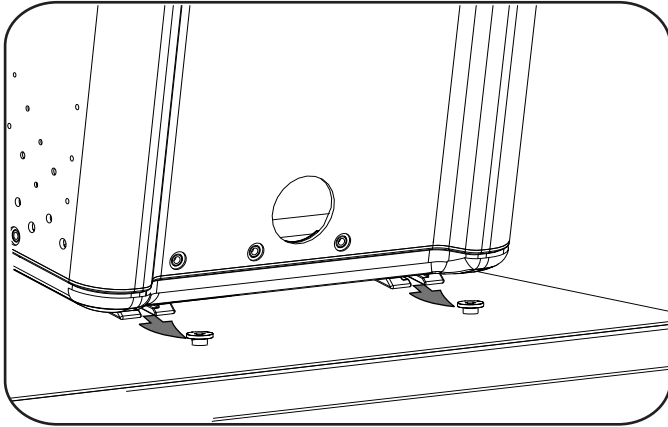


Surface Mounting Tech Tub²

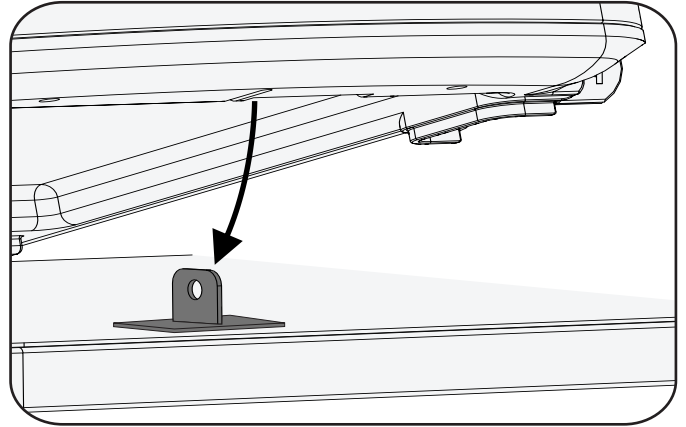
Lock Tub to surface using Locking Pin

! First, complete the installation of surface mounting hardware using the attached template; then complete the steps below to secure your Tech Tub² onto the surface.

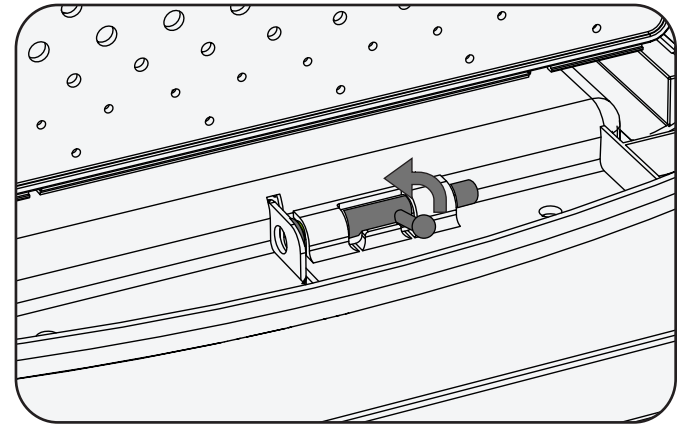
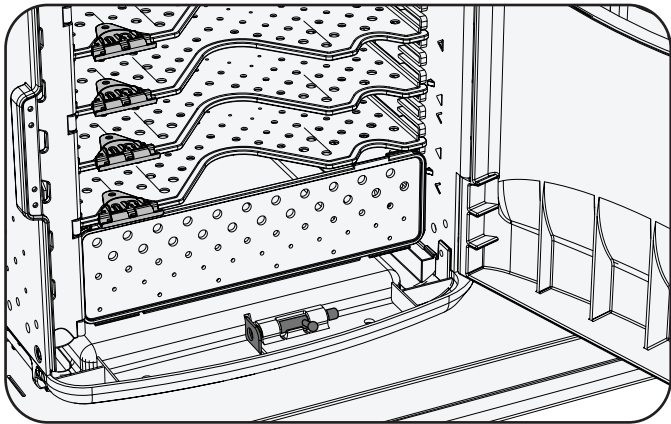
- 1** Hook the rear feet onto the pins, slide tub all the way back.



- 2** The slot on the front underside of the Tech Tub² fits over the metal tab.



- 3** Open the Tech Tub² front door and slide the locking pin through the metal tab.



- 4** After sliding pin through bracket, lock front door of Tech Tub² to secure devices.

