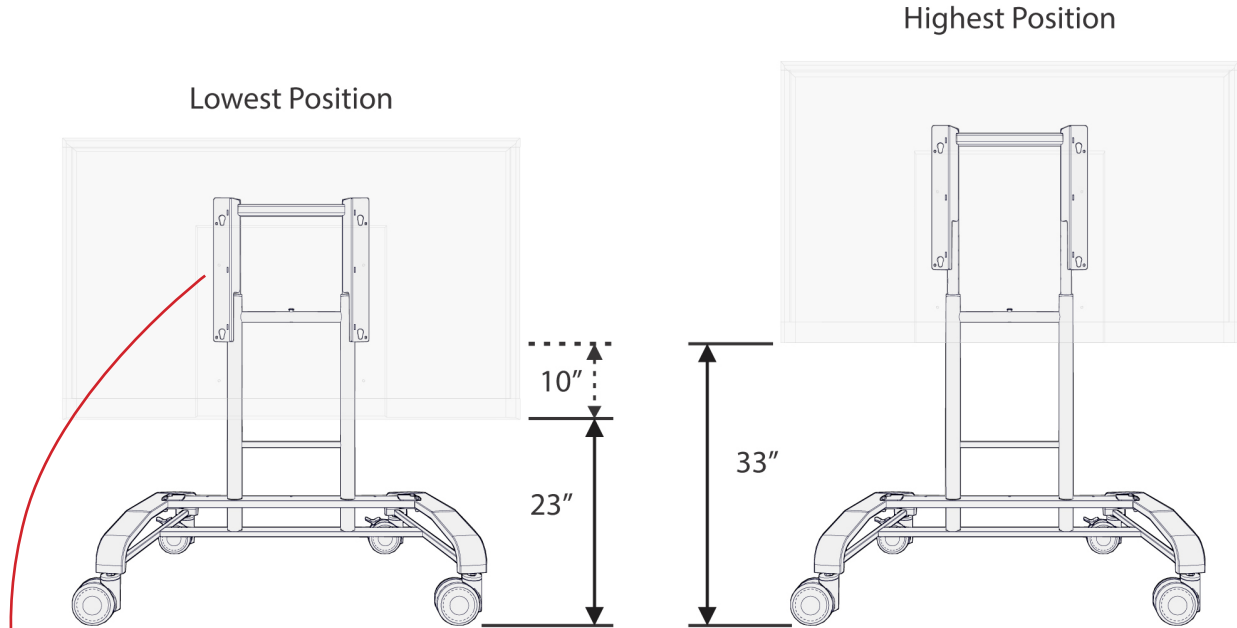
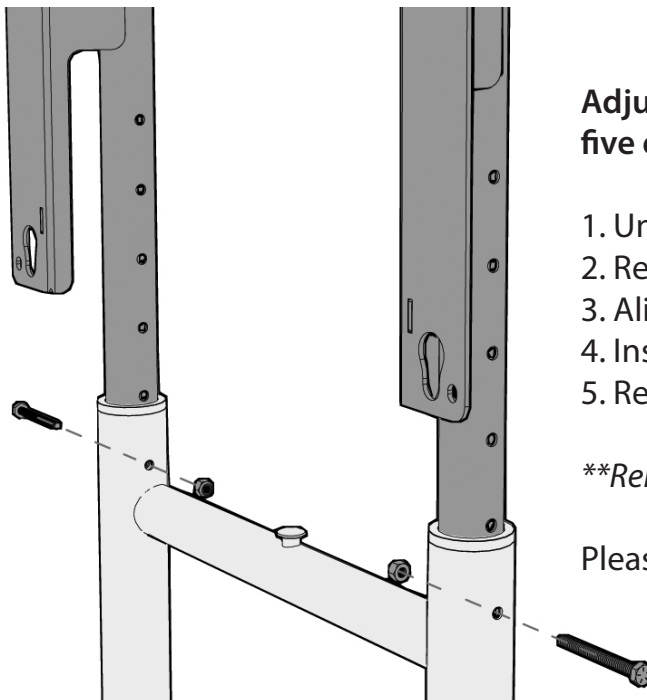


How to adjust the height on your iRover²TM Base Model for Interactive Flat Panels

This model has a six height settings with a 10" range



*Shown with SMART MX265 Flat Panel installed.
Measurements are approximate and will vary depending on your flat panel.*



Adjust the height of the flat panel in five easy steps!

1. Unplug and remove flat panel from cart
2. Remove safety screws from frame
3. Align holes in frame to desired height
4. Insert and tighten screws
5. Reattach flat panel to the cart

****Remember to tighten the safety screws!****

Please check the assembly guide for more detail.