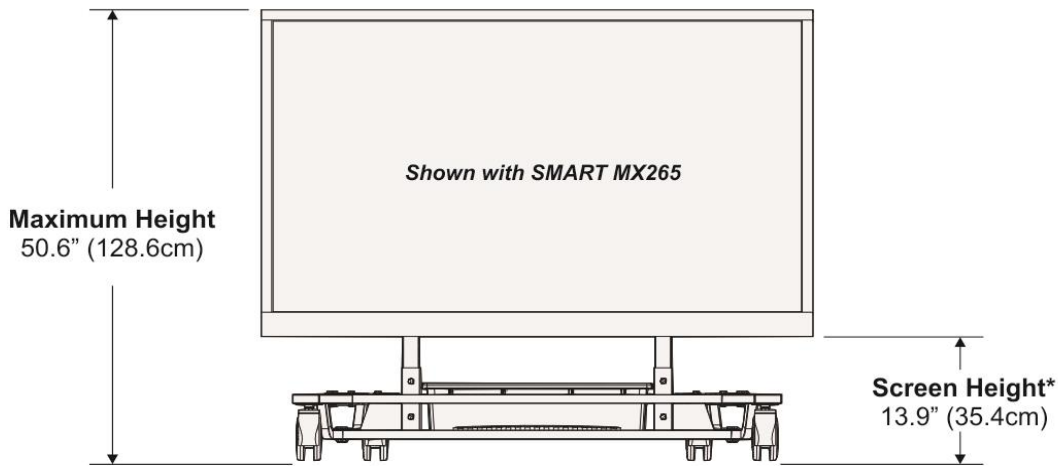
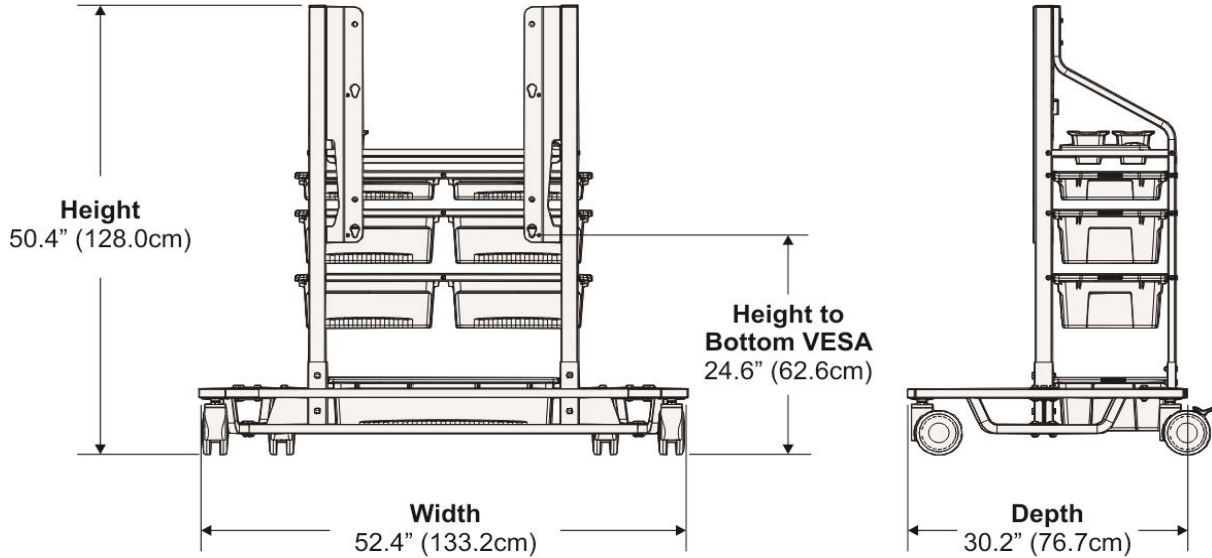


iRover2™ Interactive Flat Panel Easel

Model: FPE100



(*) values are approximate and will vary depending on your flat panel.

iRover2™ Interactive Flat Panel Easel

Model: FPE100

Warranty:

One-year electrical components warranty (power strip)
Five-year frame warranty
Lifetime tub warranty

Physical Specifications:

Flat Panel Compatibility:

Commonly supported flat panels include: SMART, Promethean, Clever Touch, Clear Touch and others. Spacers and longer screws are provided for flat panels that do not have a flat back, like Promethean.

Flat Panel Mounting Stretchers:

This unit comes with its own VESA flat panel mount.

Supported Screen Size: Up to 75"

Supported VESA: 300 x 200 (min)

800 x 700 (max)

Max Weight: 250lbs (90.7kg)

Power Strip Specifications:

Outlets: 6 Right-angle NEMA 5-15R

Size: 1-1/2" H x 9-5/8" W x 1-3/4" D (4.0cm H x 24.4cm W x 4.5cm D)

AC Rating: 125V 15A 60Hz

Cable: 14-gauge thickness, 2.5m (8 ft.) length

Conformance: cULus

Switch: On/Off with built-in circuit breaker

iRover2™ Interactive Flat Panel Easel Certifications:

Conformance: cULus

iRover2™ Interactive Flat Panel Easel

Model: FPE100

Carton Size & Weights:

	Part No.	Carton Size (outer dimensions)	Carton Weight	Shipping Size (cubic feet)	Dimensional Weights
FPE100	FPE100-0	51" H x 26" W x 4-1/2" D 129.5cm H x 66cm W x 11.4cm D	60lbs 27.2kg	3.84 ft ³	34lbs 15.4kg
	FPE100-1	38-1/2" H x 26-1/2" W x 12" D 97.8cm H x 67.3cm W x 30.1cm D	58lbs 26.3kg	7.31 ft ³	65lbs 29.5kg

Copernicus Educational Products

USA | P.O. Box 248 | Buffalo, NY | 14225

CANADA: R.R. #3, 8194 County Road 109 | Arthur, ON | N0G 1A0

P 1 800 267 8494 | E info@copernicused.com

Copernicus Educational Products is not responsible for printing errors. Copernicus reserves the right to change or modify pricing and products specifications with or without prior notification. Illustrations and descriptions may not be exactly as shown. No part may be reproduced by any means without prior authorization of Copernicus Educational Products Inc. All rights reserved. 2015 ©