

PDR40

PDR40 - Double Sided Drying Rack



Assembly Guide

PDR40_2018_A

Check out our other products online at
www.copernicused.com

For assistance, please contact us:

1-800-267-8494

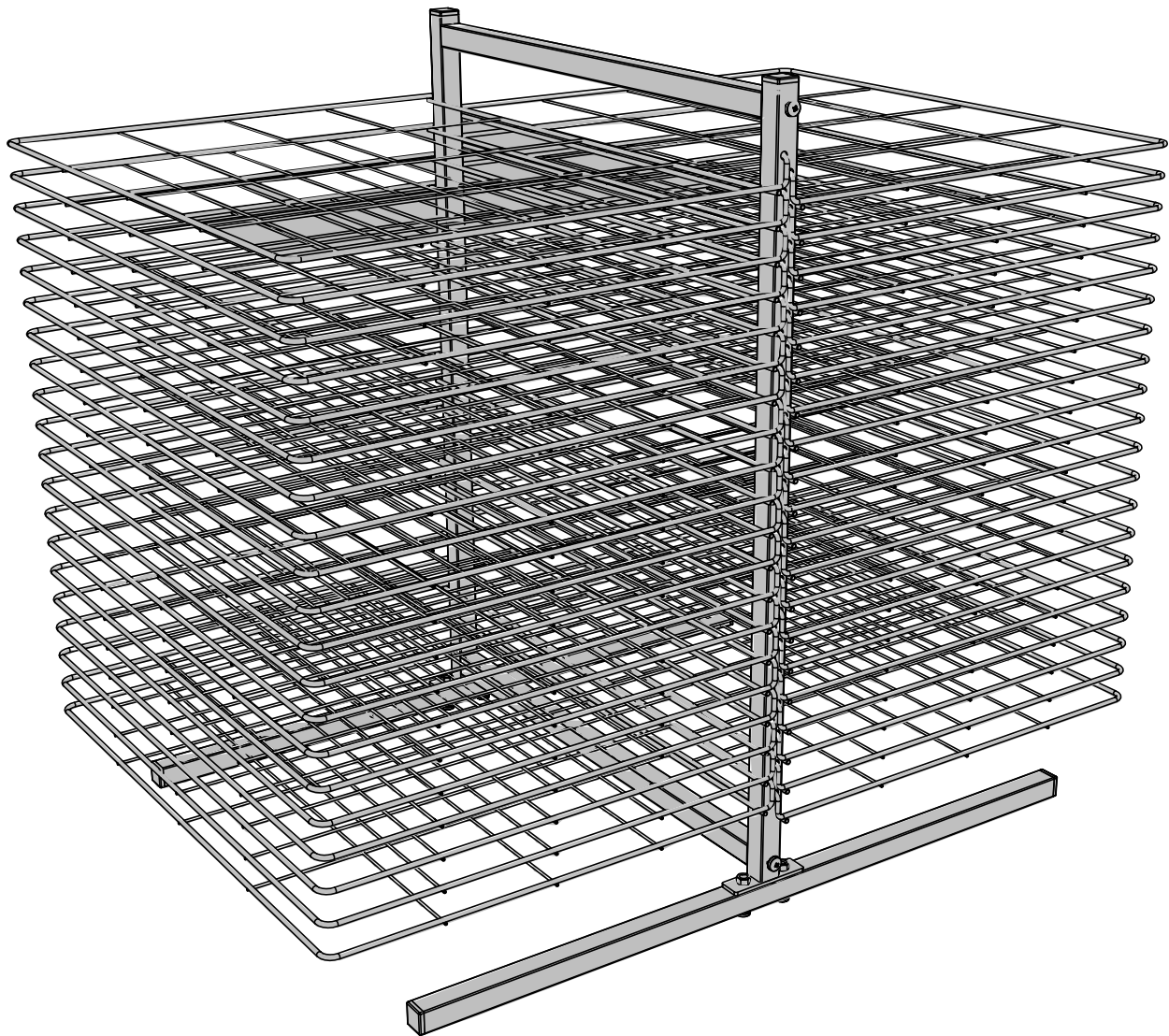
Email info@copernicused.com

Have your packing slip ready for reference

WARNING



- This product is meant to be assembled by an adult.
- In its unassembled state, small parts present a hazard.
- To be used under direct supervision of an adult.



Please Recycle

PDR40 - Double Sided Drying Rack



Assembly Guide PDR40_2018_A

Check out our other products online at
www.copernicused.com

For assistance, please contact us:

1-800-267-8494

Email info@copernicused.com

Have your packing slip ready for reference

Dear Educator,

Thank you for purchasing the Double Sided Drying Rack. We hope it meets all your expectations and you and your students enjoy using it at your school.

If you have any questions, concerns or ideas on how we can improve please let us know by contacting our Customer Solutions Ninjas at 1-800-267-8494 or info@copernicused.com.

Happy teaching,

Kaylyn Belcourt-McCabe
President

We do not inherit the earth from our ancestors, we borrow it from our children.

NORTH AMERICAN
PROVERB

Change is the end result of all true learning.

LEO BUSCAGLIA

What you leave behind is not what is engraved in stone monuments, but what is woven into the lives of others.

PERICLES

Education is the most powerful weapon which you can use to change the world.

NELSON MANDELA



Validate Your Warranty

To validate your warranty, submit the ON-LINE form at www.copernicused.com
Enter a draw to win a Copernicus Product for your classroom at the same time!



Warning! Hazard Risks!

Please read the warnings below for important safety information regarding your product. Failure to read these warnings or to follow the instructions below could result in personal injury or damage to your product that could void your warranty.



Small
Parts

In its unassembled state, this product contains parts that can be hazardous to small children. This product should be assembled by an adult.



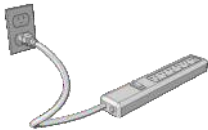
Adult
Supervision

This product is to be used under the supervision of an adult.



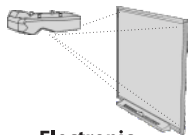
Indoor Use
Only

This product is intended for indoor use only. To reduce the risk of fire or electric shock, do not expose this product to rain or moisture. The internal components are not sealed from the environment.



Power Strip
Specifications

Read your power strip electrical specifications. Only plug in devices that are approved for use with this power strip. Connect the supplied power strip directly to a wall outlet. **Do not connect to another power strip or use an extension cord.** Unplug when not in use. **Do not leave this product plugged in for more than 72 consecutive hours.** Turn off power strip before unplugging.



Electronic
Equipment

Read the electrical specifications of any electronic equipment you are using with your Copernicus products. Failure to read these specifications and follow their instructions could result in damage to your equipment or personal injury.



Cable Trip
Hazard

Ensure that any cables extending across the floor to your product are properly bundled and marked to avoid tripping or falling which may lead to personal injury.



Electrical Shock

Do not install or use the electrical components of this unit during a lightning storm.



Climb Hazard

Do not climb on, hang from or suspend objects from any components of your product unless otherwise specified.

Tips for Assembly

Watch for These Helpful Symbols

This symbol denotes a 2 Person Task. For safety, please ensure that there are the suggested number of people working on steps displaying this symbol.



Watch for this symbol throughout the Assembly Guide. Wherever you see it, pay close attention. The symbol denotes a step needing extra attention to ensure it is done correctly.



The star symbol highlights an advisory note.



Before You Begin

- Lay out and identify all of the included parts.
- The hardware has been packed according to step.
- Read the assembly guide over once to familiarize yourself with them.



! Please note that in its unassembled state, this product contains parts that can be hazardous to small children. This product should be assembled by an adult.

As You Assemble the Unit

- Follow the steps in sequence.
- Before beginning each step, find the part(s) that you need for that step.
- Pay attention to the labels on the parts; they are there to help direct you at certain stages.
- The title of each step states what you will be doing. Review the text and the pictures as you build the unit.

Customer Service - FAQ's



For missing parts and other issues regarding this product:

Please call Copernicus Customer Service, where we will be happy to help.
1-800-267-8494. Monday - Friday 8:30am - 4:30 pm EST.

OR

Email our Tech Support Service at info@copernicused.com

Need Tech Support?

Have a Question?



Email our Tech Support Service

Check out some of our other great products!



www.copernicused.com

PDR40 - Double Sided Drying Rack

Before beginning, you should have:

Additional tools required:



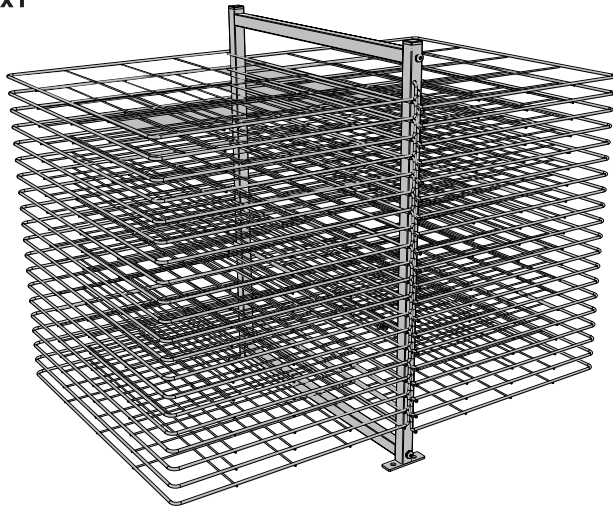
Adjustable wrench x1

OR

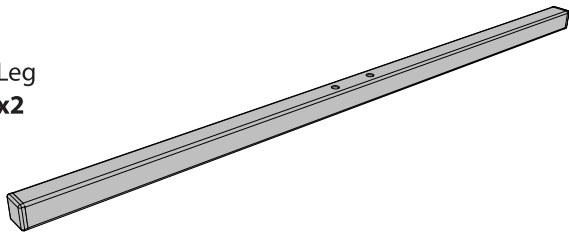
10mm Wrench

PDR40

Double Sided Drying Rack
x1



Leg
x2



In Box 1

Hardware
Actual Size

(A) M6 x 30mm
x4



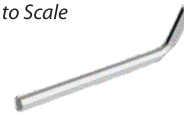
(B) M6 Lock Washer
x4



(C) M6 Nut
x4



Allen Key
Not to Scale
x1



1

Actual Size:

(A) M6 x 30mm
x4



(C) M6 Nut
x4

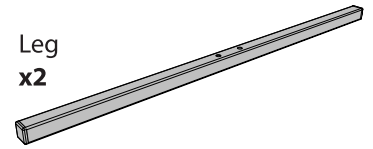


(B) M6 Lock Washer
x4

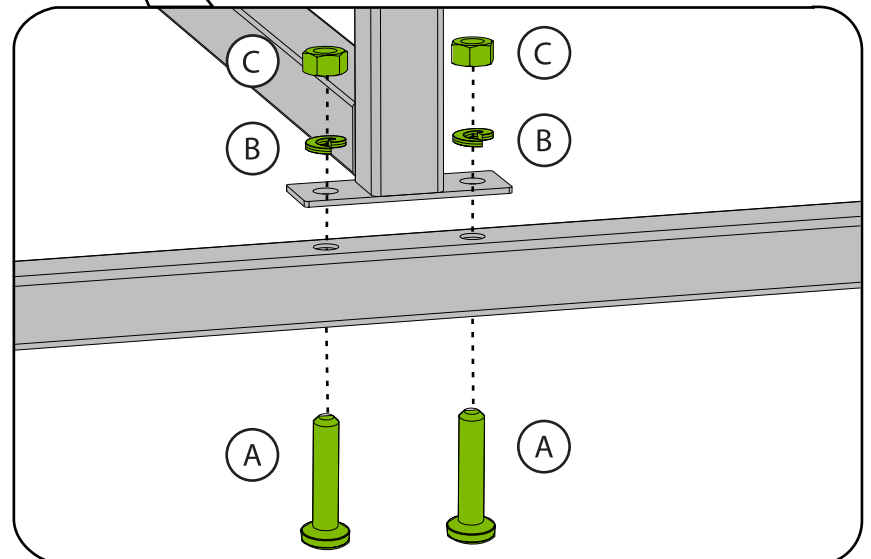
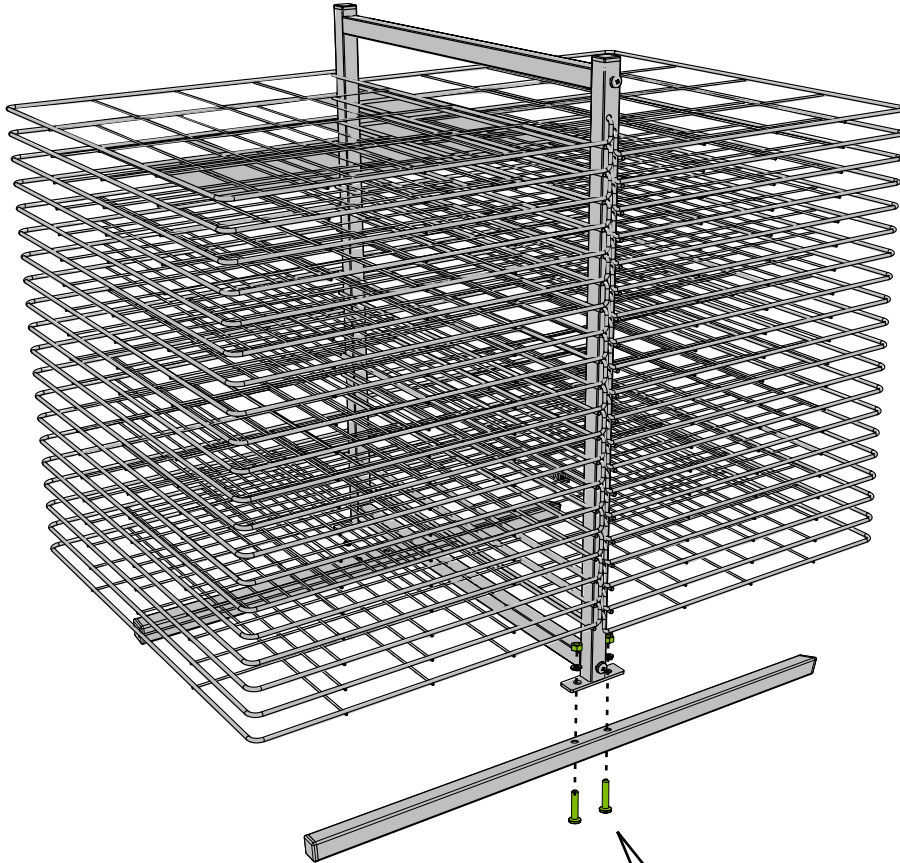


You will need: (Not to Scale)

Leg
x2



Attach Legs to Upright Frame



**! Note: Insert bolts from the bottom.
Ensure legs are positioned with
foam on the bottom.**

Place paintings on racks to dry

