

Deluxe Chart Stand - Assembly Guide



Assembly Guide CS700_2013_A

Check out our other products online at
www.copernicused.com

For assistance, please contact us:

1-800-267-8494

Email info@copernicused.com

Have your packing slip ready for reference

WARNING !

- This product is meant to be assembled by an adult.
- In its unassembled state, small parts present a hazard.
- To be used under direct supervision of an adult.

Check out some of our other great products!

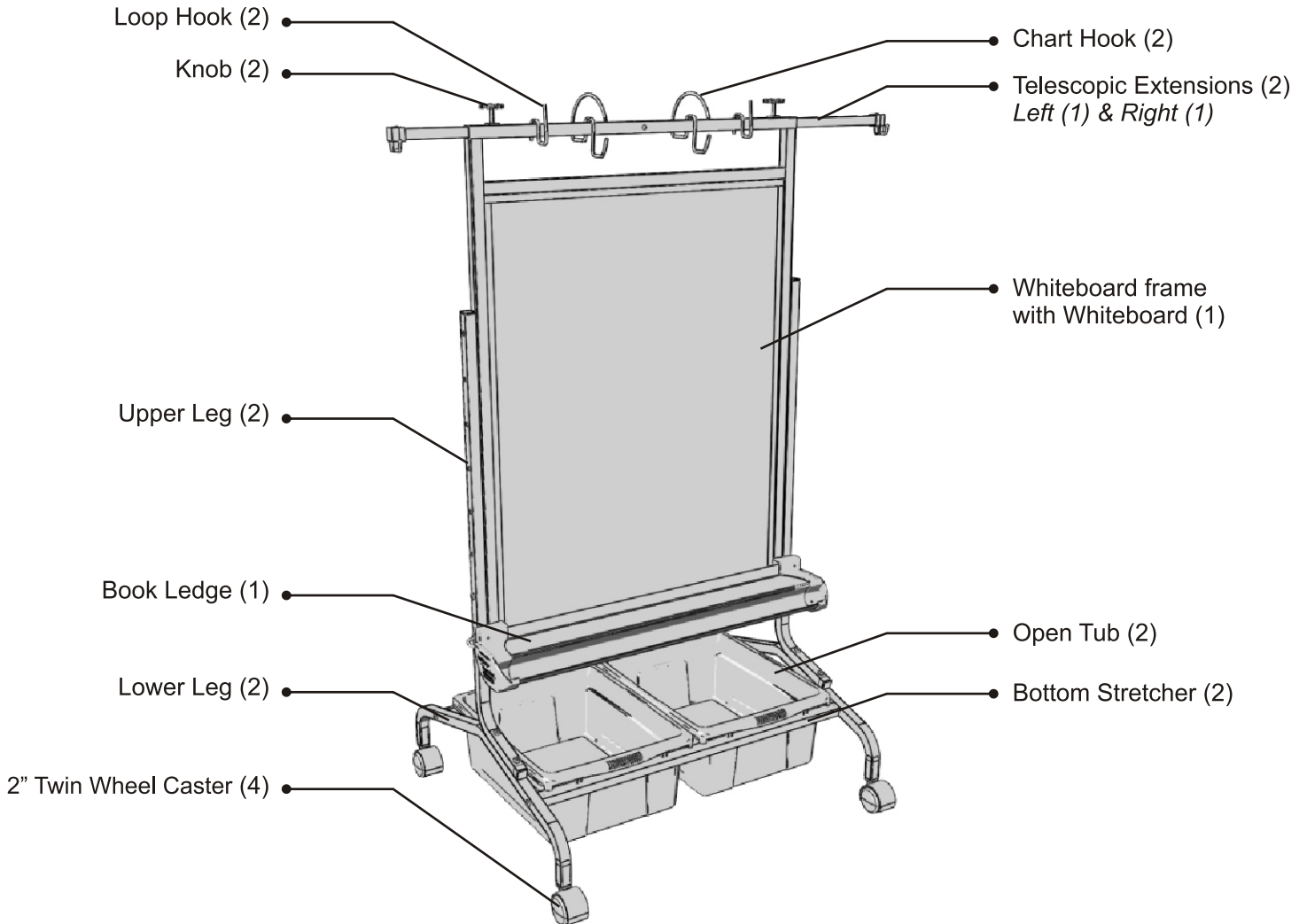


www.copernicused.com

Need Tech Support? Have a Question?



Email our Tech Support Service



Deluxe Chart Stand - Parts

Before beginning, you should have:

Additional tools required:



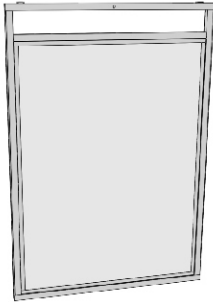
Adjustable wrench



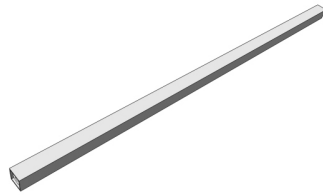
Rubber Mallet

Contents - Box 1

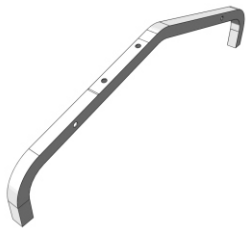
Whiteboard Frame with Whiteboard
1x



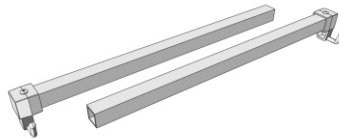
Bottom Stretcher
2x



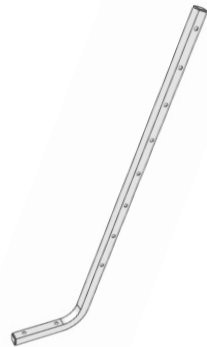
Lower Leg
2x



Telescoping Arms
2x



Upper Leg
2x



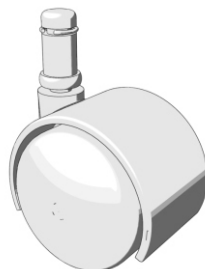
Loop Hook
2x



Chart Hook
2x



2" Twin Wheel Caster
4x



In Box 1

Hardware
Actual Size

(A) M6 x 45mm
4x



(B) M6 x 35mm
8x



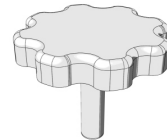
(C) M6 Hex Nut
4x



(D) Lock Washer
12x



Knob
(Not to Scale)
2x



Allen Key
(Not to Scale)
1x



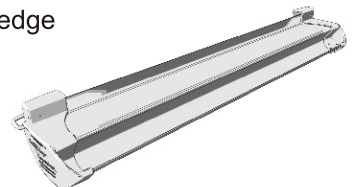
Contents - Box 2

Open Tub
2x
(CC4068)



10 lbs Weight Limit

Book Ledge
1x



Tips for Assembly - Using this Manual



2 Person

Watch for These Helpful Symbols

- This symbol denotes a 2 Person Task. For safety, please ensure that there are two people working on steps displaying this symbol



- Watch for this symbol throughout the Assembly Instructions. Wherever you see it, pay close attention. The symbol denotes a step needing extra attention to ensure it is done correctly.



- The Star symbol highlights an advisory note

Before You Begin



- Layout and identify all of the included parts
- The hardware has been packed by step
- Read the assembly instructions over once to familiarize yourself with them
- Please note that in its unassembled state, this product contains parts that can be a hazard to small children; it should be assembled by an adult.

As You Assemble the Unit



- Follow the steps in sequence
- Before beginning each step, find the part(s) that you need for that step
- Pay attention to the labeling on the parts, they are there to help direct you at certain stages
- The title of each step states what you will be doing. Review the text and the pictures as you build the unit.

After Assembly; Before Use

- Remove the plastic film from the Whiteboard before writing on it

Don't forget to check out our tips for your whiteboard at:
www.copernicused.com

**10
Year**

Frame
Warranty

**Life
Time**

Tub
Warranty

Validate Your Warranty On-Line

To validate your warranty submit the ON-LINE form at www.copernicused.com

“The beautiful thing about learning is that no one can take it away from you.” - B. B. King



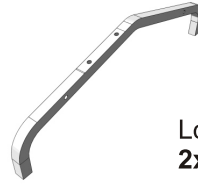
1

Actual Size:

You will need: (Not to Scale)



2" Twin Wheel Caster
x 4



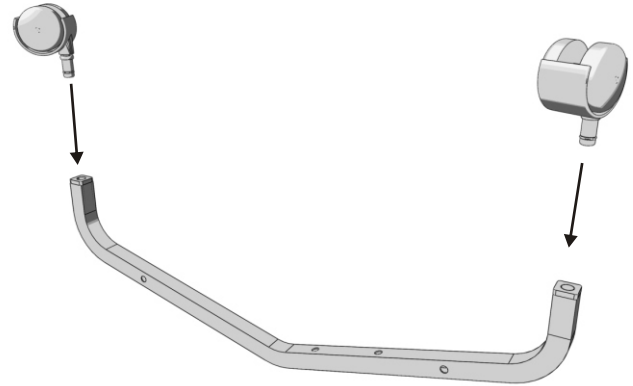
Lower Leg
2x

Install 2" Casters



Press Casters firmly into the Base:

- Casters will click into place
- If necessary, tap the caster in using a rubber mallet.



Build x 2

2

Actual Size:



(A) M6 x 45mm
x 4

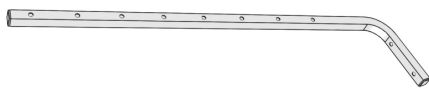


(C) M6 Hex Nut
x 4



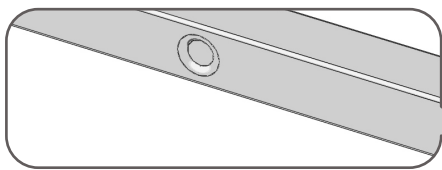
(D) Lock Washer
x 4

You will need: (Not to Scale)

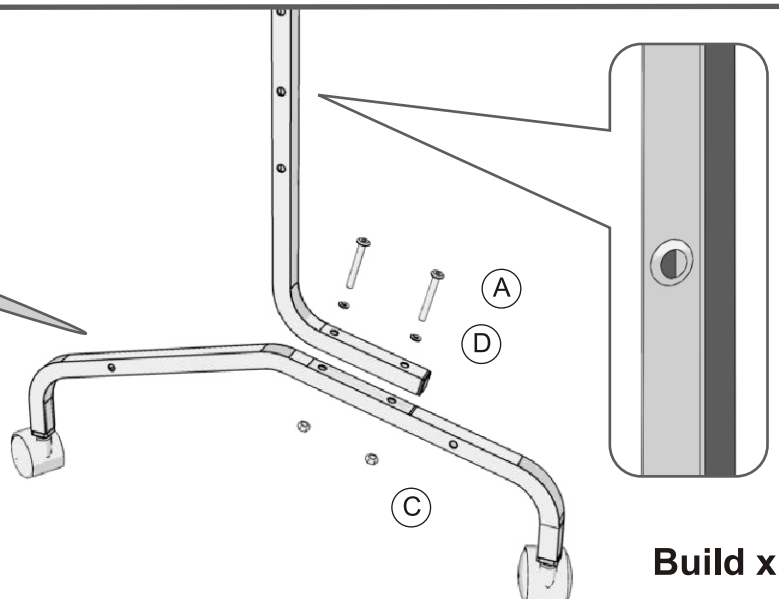


Upper Leg
2x

Bolt Lower Legs To Upper Legs



! Hole indents on Upper Leg should face same side as Lower Leg.



Build x 2



3

Actual Size:

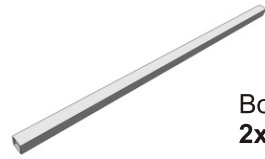


(B)
M6 x 35mm
x 4



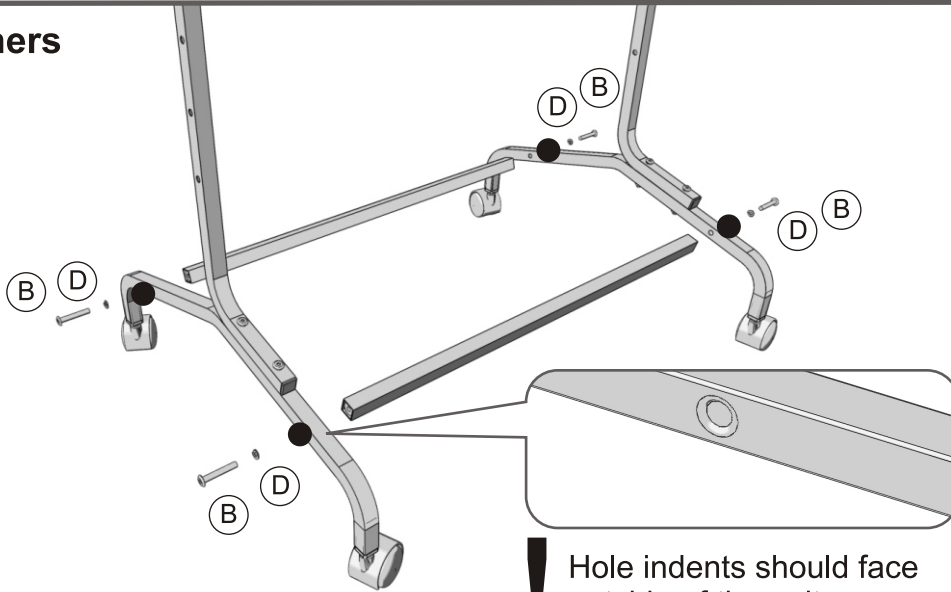
(D)
Lock Washer
x 4

You will need: (Not to Scale)



Bottom Stretcher
2x

Install Stretchers



! Hole indents should face outside of the unit.

4

Actual Size:



(B)
M6 x 35mm
x 4



(D)
Lock Washer
x 4

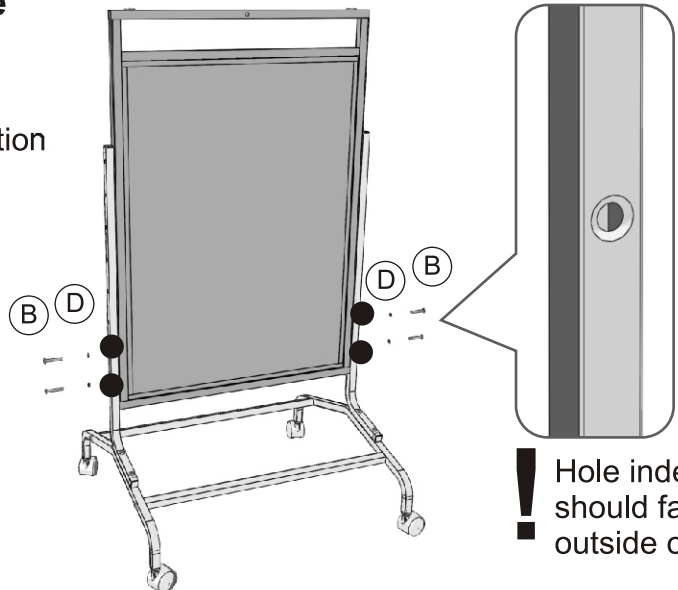
You will need: (Not to Scale)

Install Whiteboard Frame Onto Base



Select your whiteboard height

- Early childhood/primary - lower position
- Junior/intermediate - higher position



! Hole indents should face outside of the unit.

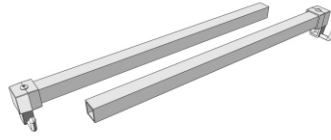
5

Actual Size:

You will need: (Not to Scale)

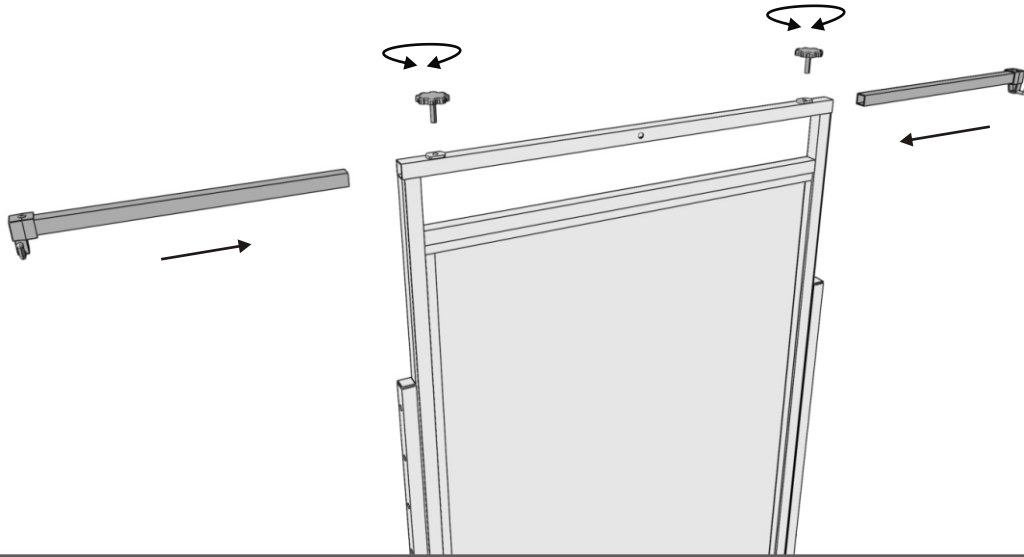


Knob
2x



Telescoping Arms
2x

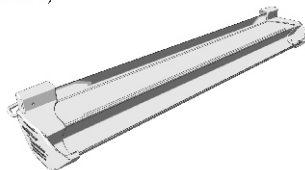
Install Telescoping Extensions



6

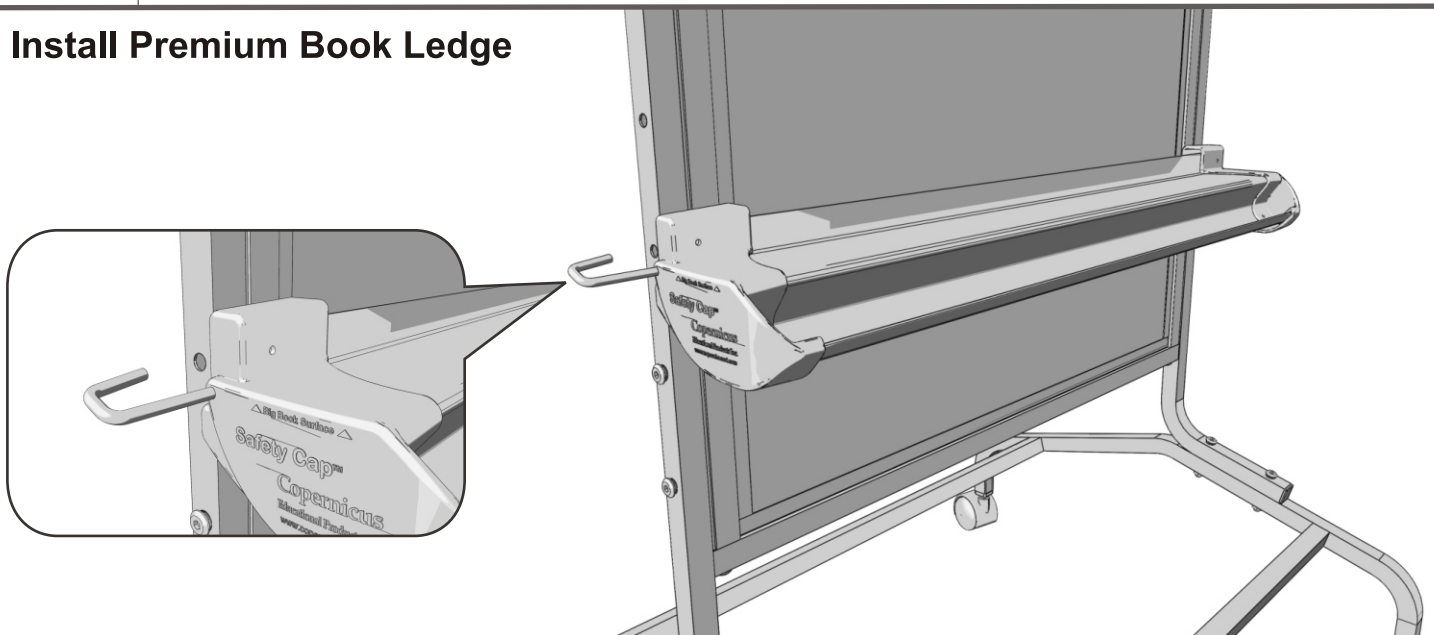
Actual Size:

You will need: (Not to Scale)



Book Ledge
1x

Install Premium Book Ledge



7

Actual Size:

You will need: (Not to Scale)



Loop Hook
2x

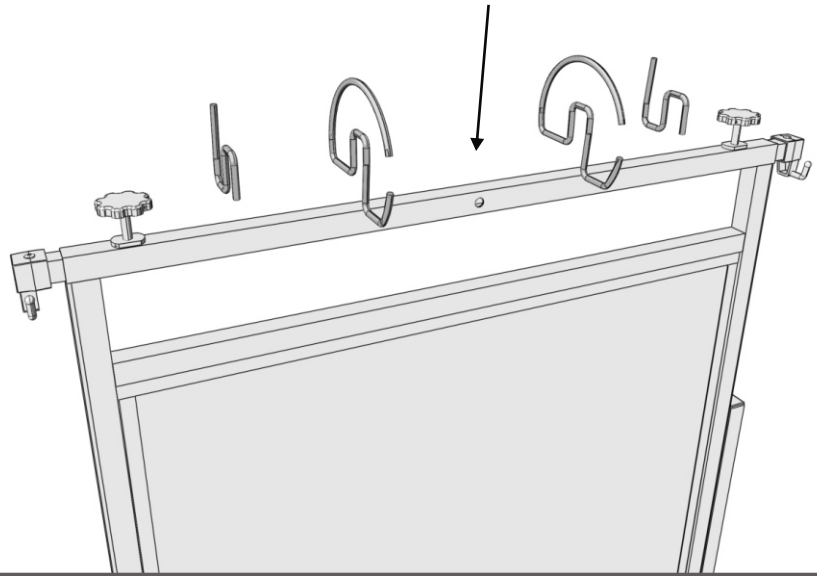


Chart Hook
2x

Install Loop Hooks & Chart Hooks



To avoid scratching the paint place an empty plastic bag over the frame, install hooks, then remove



8

Actual Size:

You will need: (Not to Scale)

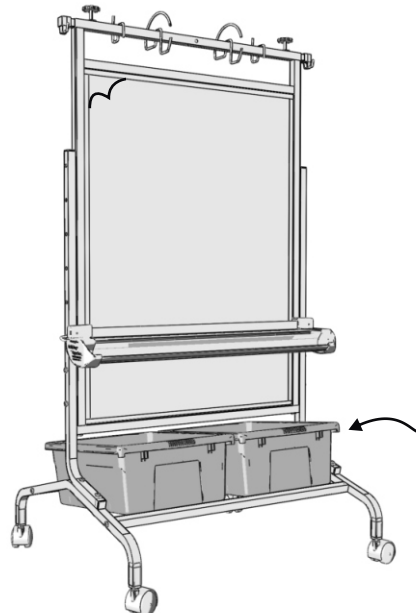


Open Tub
2x

Install Open Tubs



Don't forget to peel off protective film from Whiteboard



Deluxe Chart Stand



Assembly Guide CS700_2013_A

Check out our other products online at
www.copernicused.com

For assistance, please contact us:

1-800-267-8494

Email info@copernicused.com

Have your packing slip ready for reference

Dear Educator,

Thank you for purchasing one of our products.

I hope the assembly of your Deluxe Chart Stand went well.

If you have any questions, or concerns, or ideas for how we can improve, please call us at 1-800-267-8494, where someone will be happy to help.

Enjoy using your new product, and happy teaching,

Jim Phillips
President

Quality schools are the result of quality teachers going above and beyond the call of duty.

VICKI CARUANA

In everyone's life at some time our inner fire goes out. It is then burst into flame by an encounter with another human being. We should all be thankful for those people who rekindle the inner spirit.

ALBERT SCHWEITZER

My idea of education is to unsettle the minds of the young and inflame their intellects.

ROBERT MAYNARD
HUTCHINS

Nothing has a better effect upon children than praise.

SIR PHILLIP SIDNEY

