

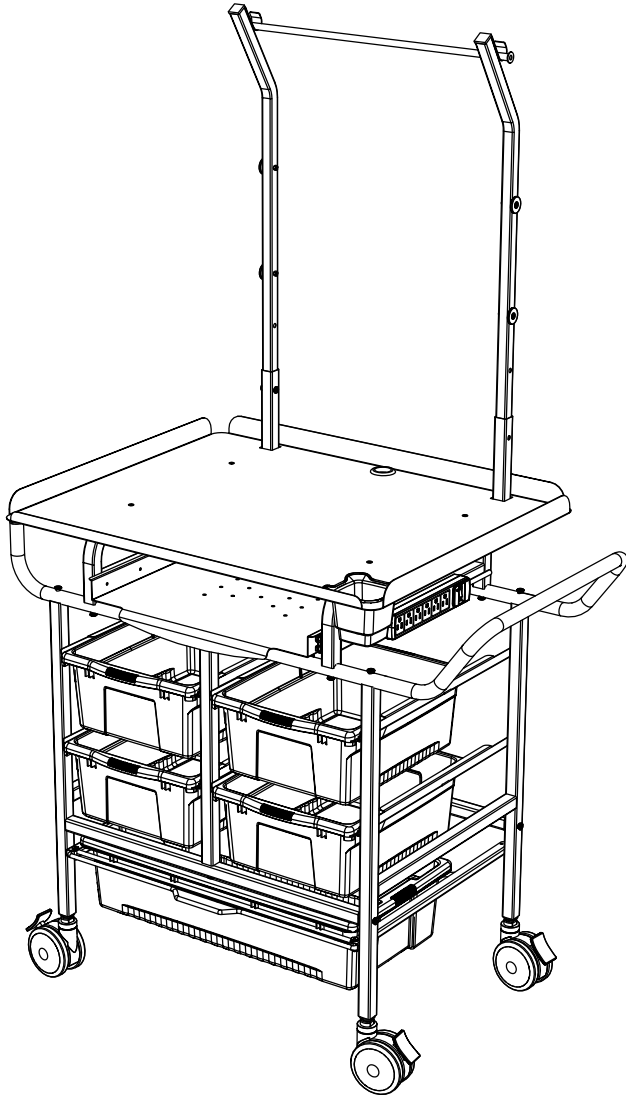
TD5000  
TD5001

# 3D Printer Cart Premium Model



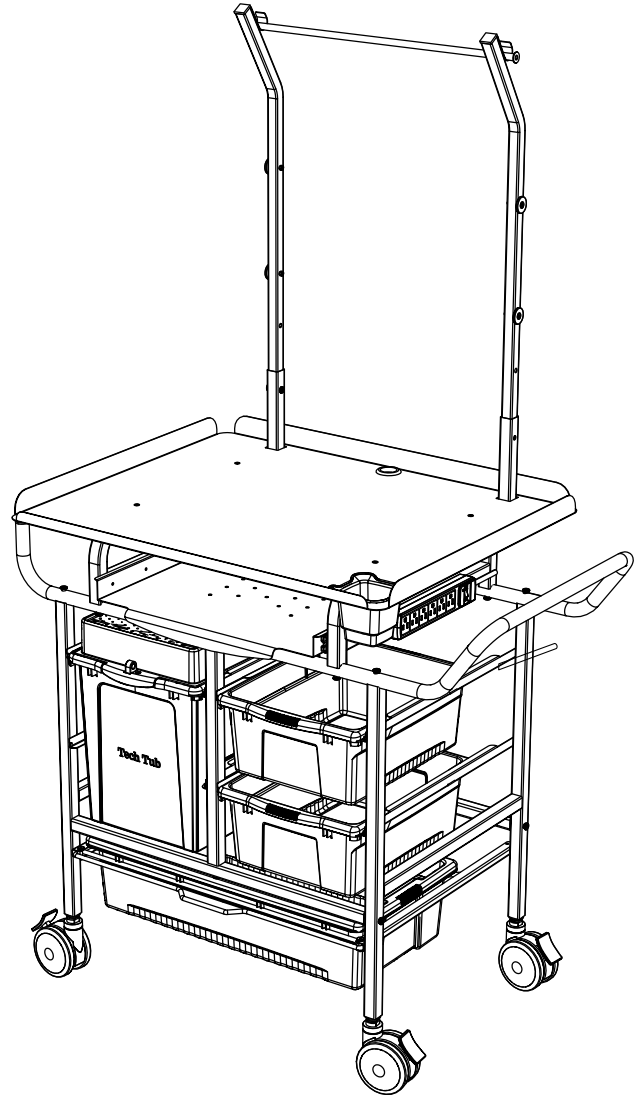
## Assembly Guide

Check out our other products online at [www.copernicused.com](http://www.copernicused.com)  
For assistance, please contact us by telephone at 1-800-267-8494 or email at [info@copernicused.com](mailto:info@copernicused.com).  
Have your packing slip ready for reference.



TD5000

- 1 Tiny Tub
- 4 Open Tubs
- 1 Really Big Tub



TD5001

- 1 Tiny Tub
- 2 Open Tubs
- 1 Original Tech Tub® Base Model
- 1 Really Big Tub



Please Recycle

# Customer Service & Warranty Information

Dear Educator,

Thank you for purchasing the 3D Printer Cart Premium model. We hope it meets your expectations and you and your students enjoy using it at your school.

Every day we see and hear stories of teachers going above and beyond to help students thrive. Thank you so much for all you do – you are awesome, and you make a difference.

Thank you for inspiring us.

If you have any questions, concerns or ideas on how we can improve please let us know by contacting our Customer Solutions Ninjas at 1-800-267-8494 or [info@copernicused.com](mailto:info@copernicused.com).

Happy teaching,

Kaylyn Belcourt, President  
[kaylyn@copernicused.com](mailto:kaylyn@copernicused.com)



We do not inherit the earth from our ancestors, we borrow it from our children.

- NATIVE AMERICAN PROVERB

Change is the end result of all true learning.

- LEO BUSCAGLIA

What you leave behind is not what is engraved in stone monuments, but what is woven into the lives of others.

- PERICLES

Education is the most powerful weapon which you can use to change the world.

- NELSON MANDELA

## For missing parts and other issues regarding your product:

Please contact Customer Service, where we will be happy to help.  
Telephone: 1-800-267-8494, Monday - Friday 8:00am - 4:30 pm EST  
Email: [info@copernicused.com](mailto:info@copernicused.com)

**Need Support?  
Have a Question?**



Email Customer Service

**Check out some of our  
other great products!**



[www.copernicused.com](http://www.copernicused.com)

## My 3D printer isn't working, who should I call?

Please contact the reseller that you bought the product from.  
Reseller information can be found on your packing slip.

**Lifetime**  
All Components  
Warranty

### Register your Product

Registering your warranty ensures we have all the information we need to make any future warranty claims quick and easy. Please visit [www.copernicused.com/warranty](http://www.copernicused.com/warranty) and complete the form within 10 business days from product assembly. By registering your product, you will be entered into a draw to win Copernicus product.

### Make a Warranty Claim

We offer a Lifetime Warranty on almost everything we make. Please call 1-800-267-8494 or email [info@copernicused.com](mailto:info@copernicused.com) to start your warranty claim. Proof of purchase will be required upon warranty claim (i.e. copy of invoice).

# Tips for Assembly

## Before You Begin:

- Lay out and identify all of the included parts.
- The hardware has been packed according to step.
- Read the assembly guide over once to familiarize yourself with them.

## As You Assemble the Unit:

- Follow the steps in sequence.
- Before beginning each step, find the part(s) that you need for that step.
- The title of each step states what you will be doing. Review the text and the pictures as you build the unit.

## Watch for These Helpful Symbols:



2-Person Task

For safety, please have someone help you when working on steps displaying this symbol.



The symbol denotes a step needing extra attention to ensure it is done correctly.



# Important Information! Warning!

Please read the warnings below for important safety information regarding your product. Failure to read these warnings or to follow the instructions below could result in personal injury or damage to your product that could void your warranty.



### Small Parts

In its unassembled state, this product contains parts that can be hazardous to small children. This product should be assembled by an adult.



### Adult Supervision

This product is to be used under the supervision of an adult.



### Climb Hazard

Do not climb on, hang from or suspend objects from any components of your product unless otherwise specified.



### Indoor Use Only

This product is intended for indoor commercial use only. To reduce the risk of fire or electric shock, do not expose this product to rain or moisture. The internal components are not sealed from the environment.



### Power Strip Specifications

Read your power strip electrical specifications. Only plug in devices that are approved for use with this power strip. Connect the supplied power strip directly to a wall outlet.

**Do not connect to another power strip or use an extension cord.** Turn off power strip before unplugging. Unplug when not in use.



### Electronic Equipment

Read the electrical specifications of any electronic equipment you are using with your Copernicus products. Failure to read these specifications and follow their instructions could result in damage to your equipment or personal injury.



### Cable Trip Hazard

Ensure that any cables extending across the floor to your product are properly bundled and marked to avoid tripping or falling which may lead to personal injury.



### Electrical Shock

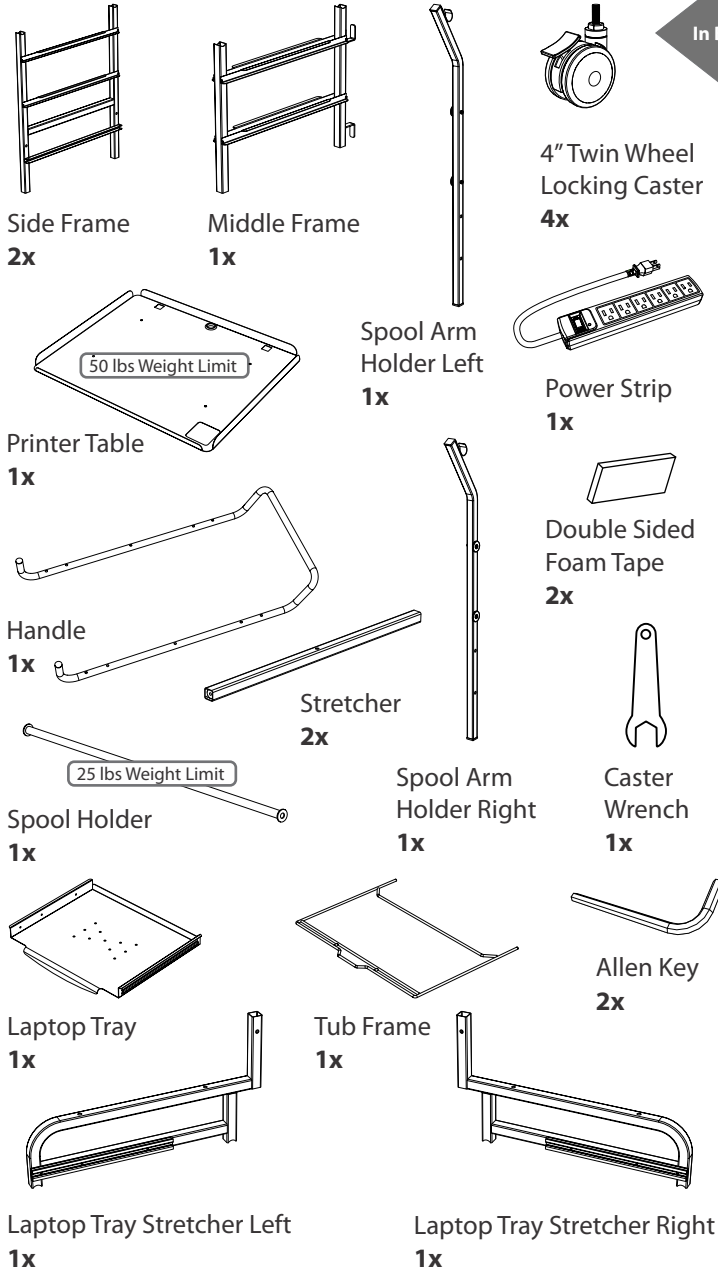
Do not install or use the electrical components of this unit during a lightning storm.

**Before beginning, you should have:**

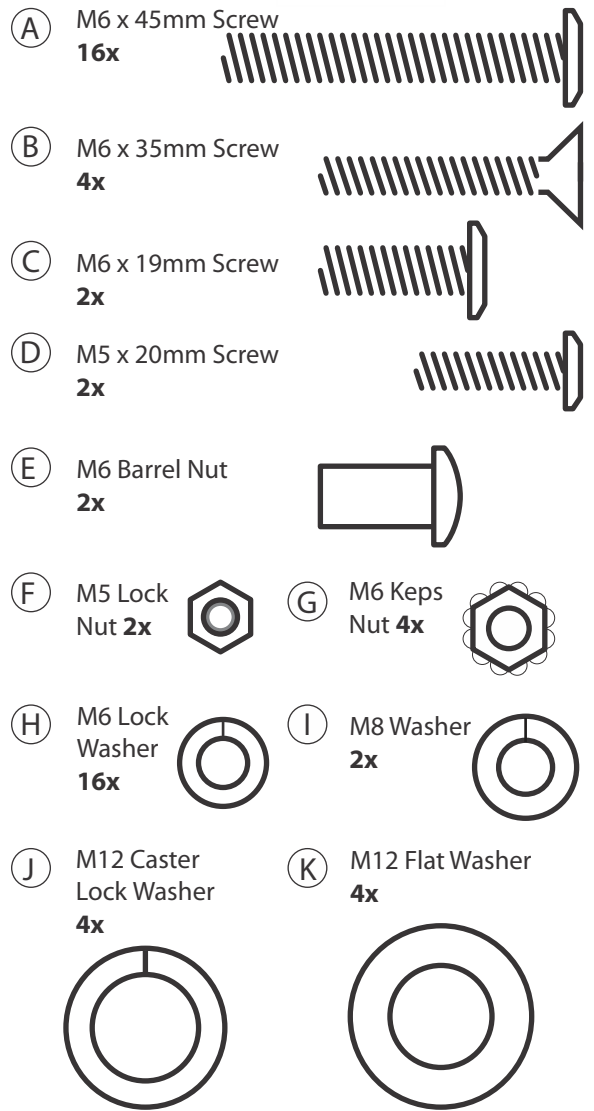
Additional tools required:



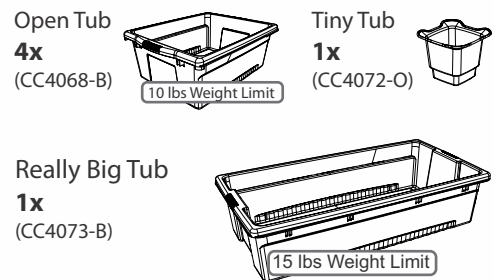
TD5000-0



Hardware  
Actual Size



TD-CB1

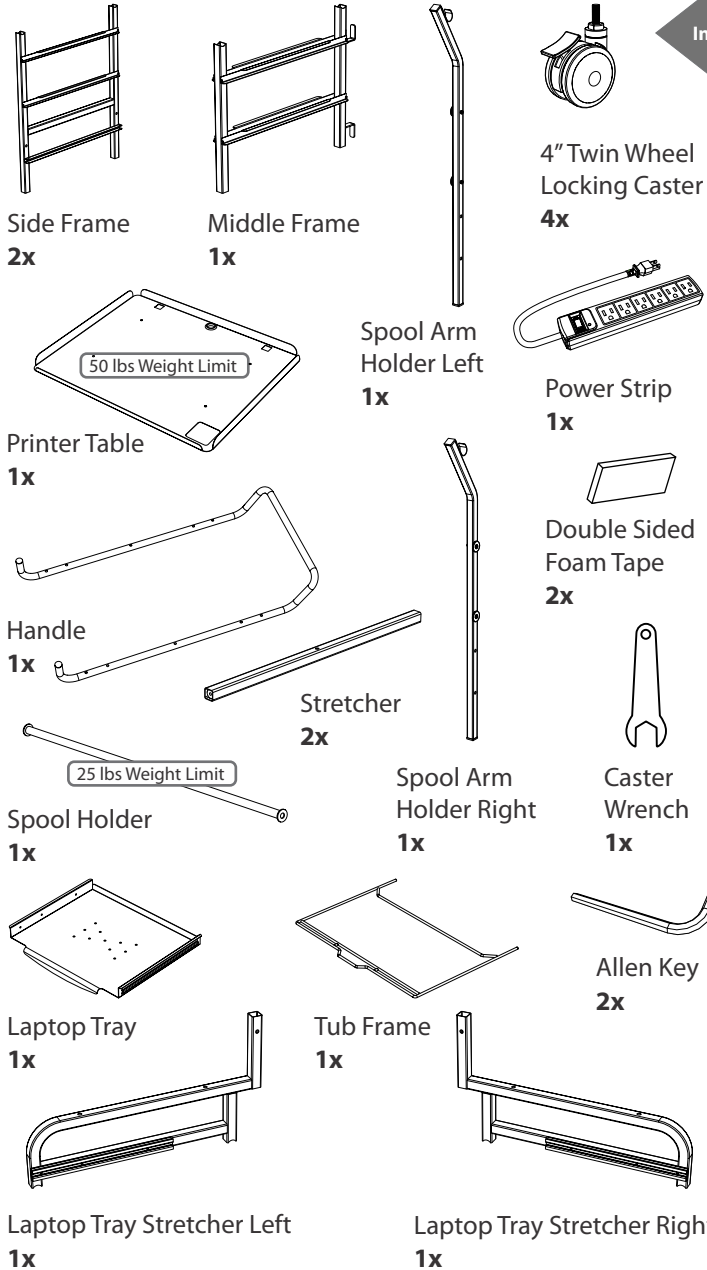


## Before beginning, you should have:

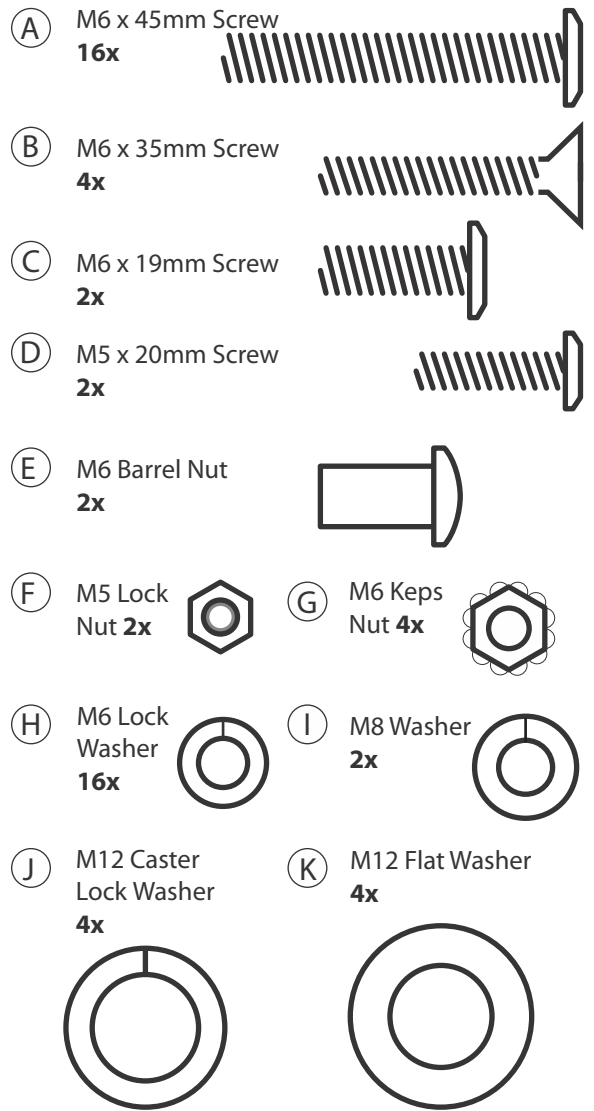
Additional tools required:



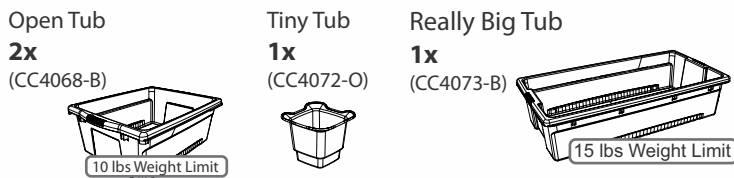
### TD5000-0



### Hardware Actual Size



### TD-CB2



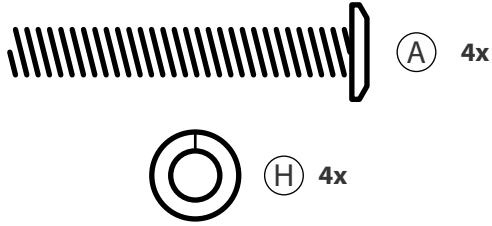
### TEC57

Original Tech Tub®  
Base Model  
**1x**  
(TEC57)

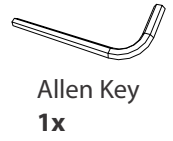
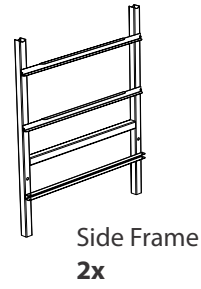
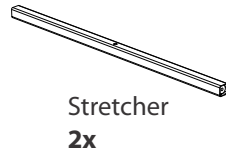


1

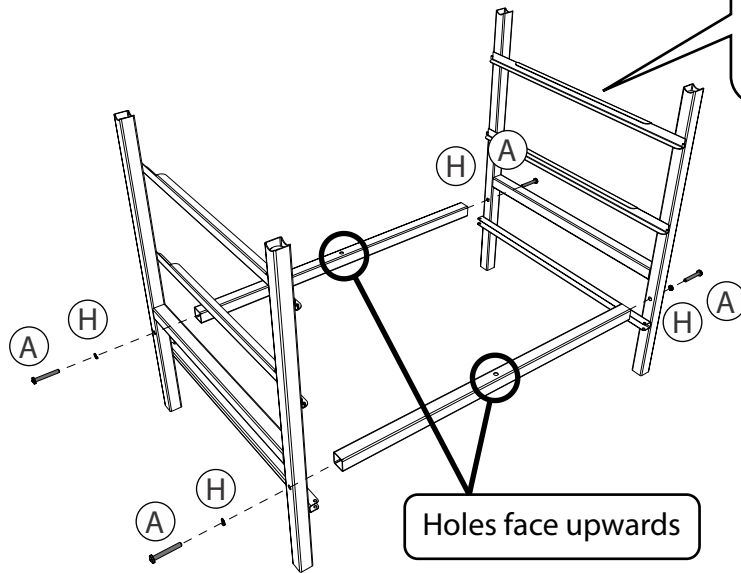
Actual Size:



You will need: (Not to Scale)

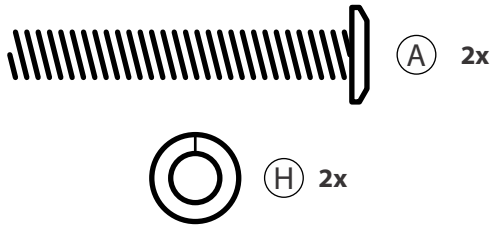


### Attach stretchers to side frame

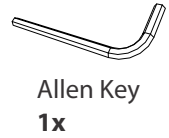
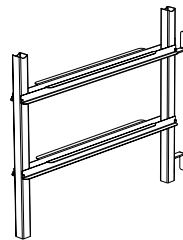


2

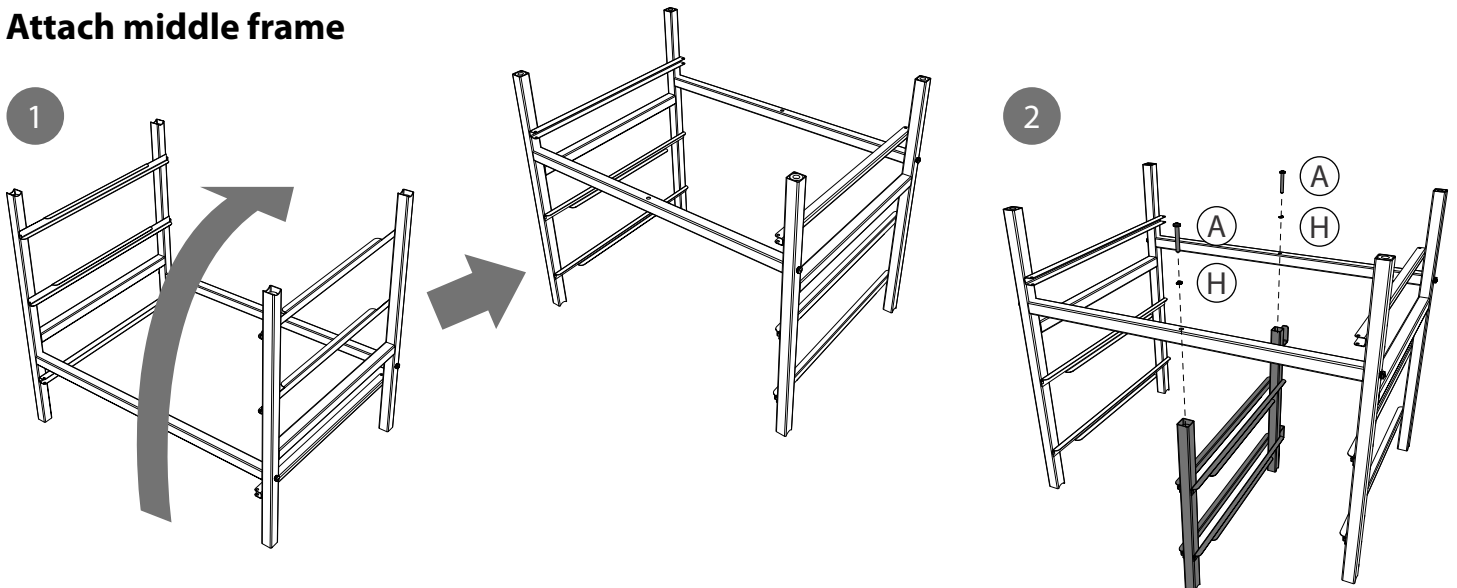
Actual Size:



You will need: (Not to Scale)

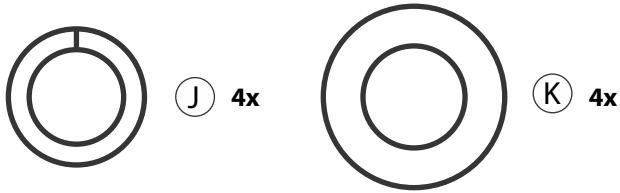


### Attach middle frame



3

Actual Size:



You will need: (Not to Scale)

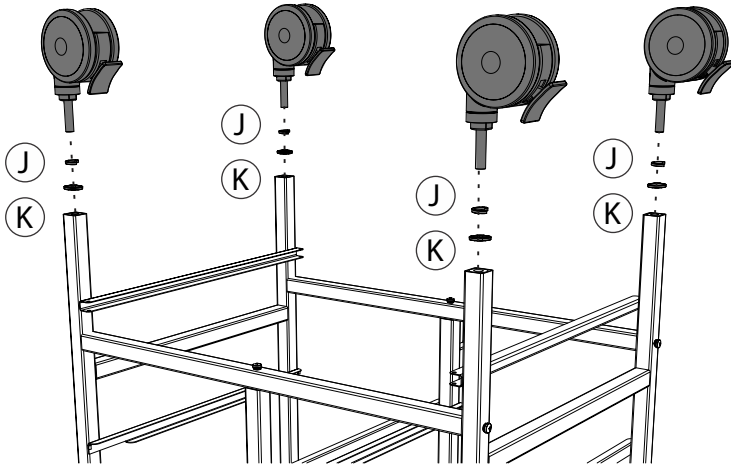


4" Twin Wheel  
Locking Caster  
4x



Caster Wrench  
1x

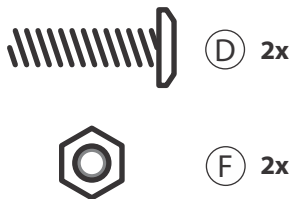
### Install casters



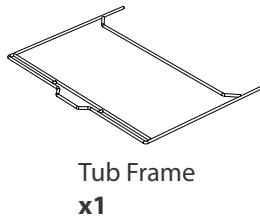
**!** Keep wrench with unit.  
Casters need to be tightened every  
6 months for proper maintenance.

4

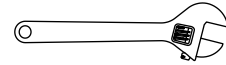
Actual Size:



You will need: (Not to Scale)



Tub Frame  
x1

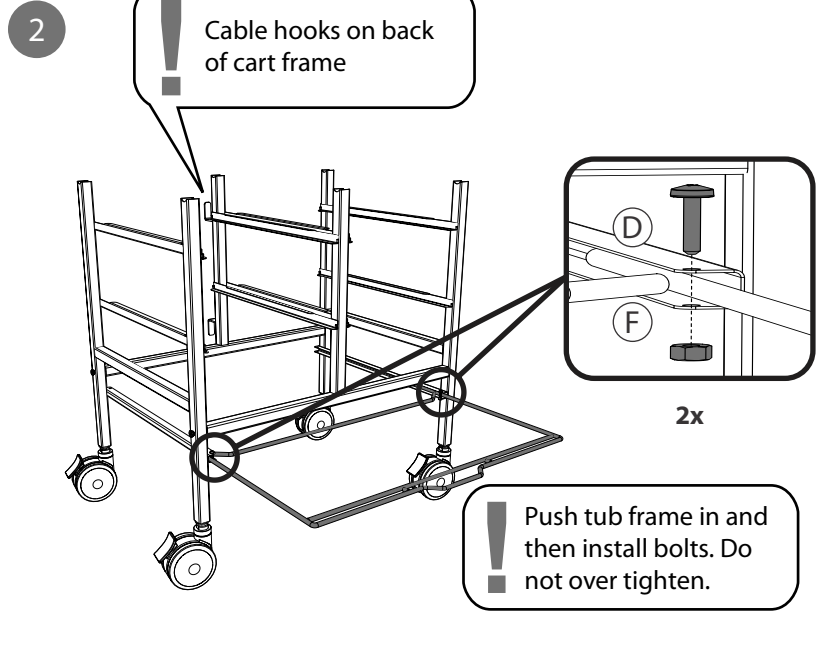
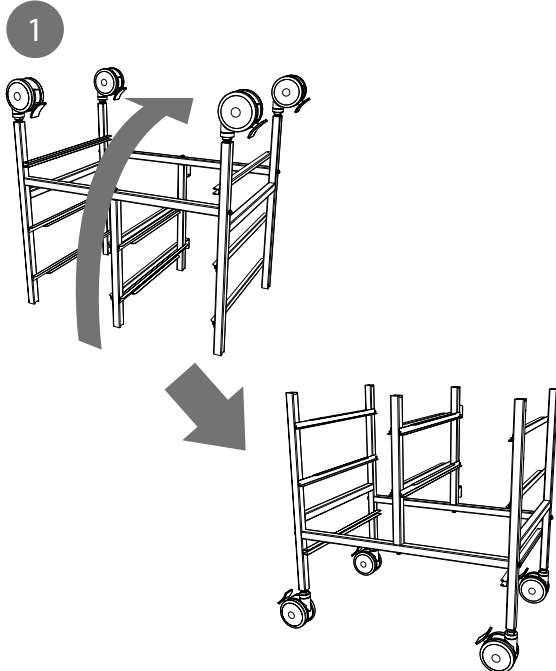


Adjustable wrench 1x  
OR  
8mm Wrench



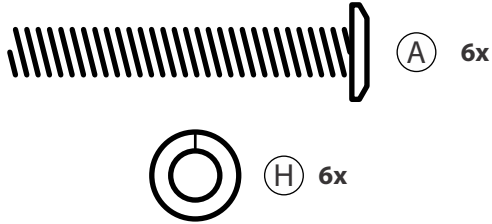
Allen Key  
1x

### Install tub frame

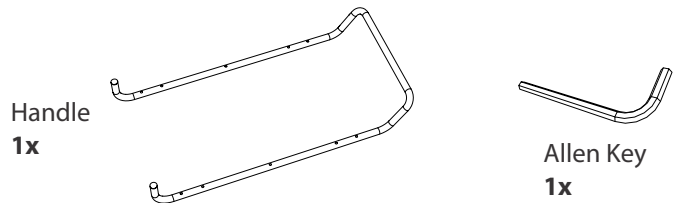


5

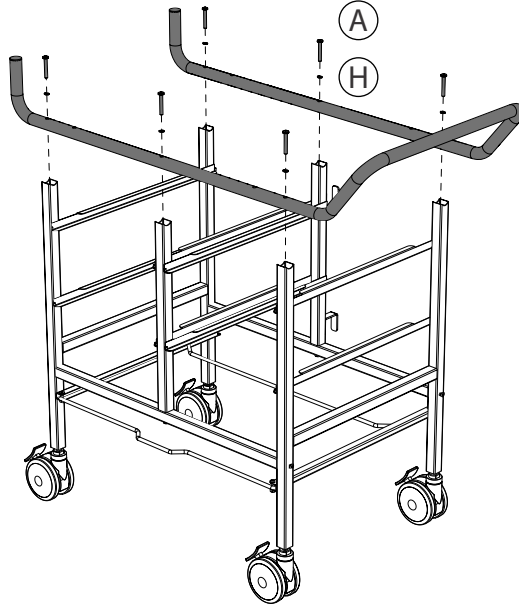
Actual Size:



You will need: (Not to Scale)

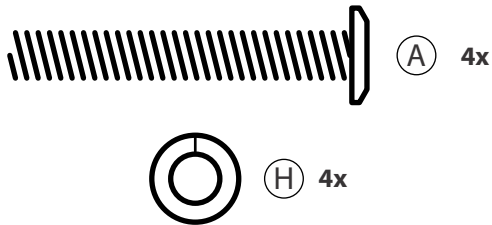


### Attach handle

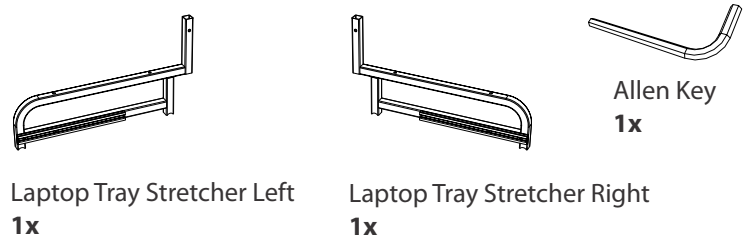


6

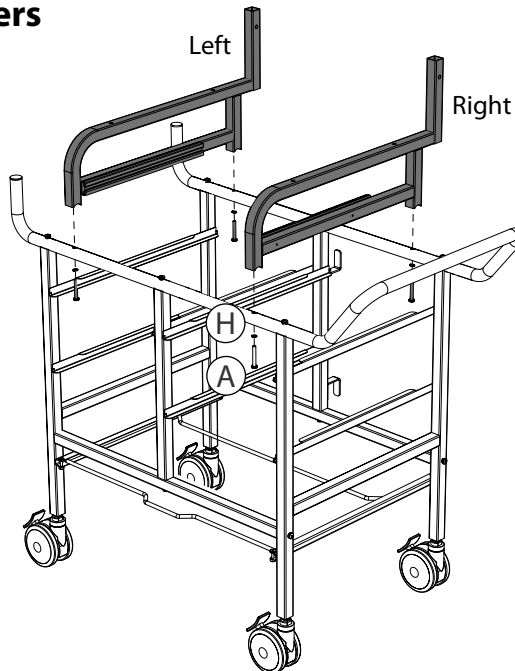
Actual Size:



You will need: (Not to Scale)



### Attach laptop tray stretchers

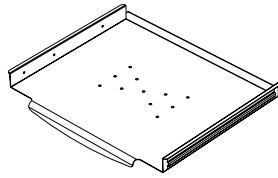




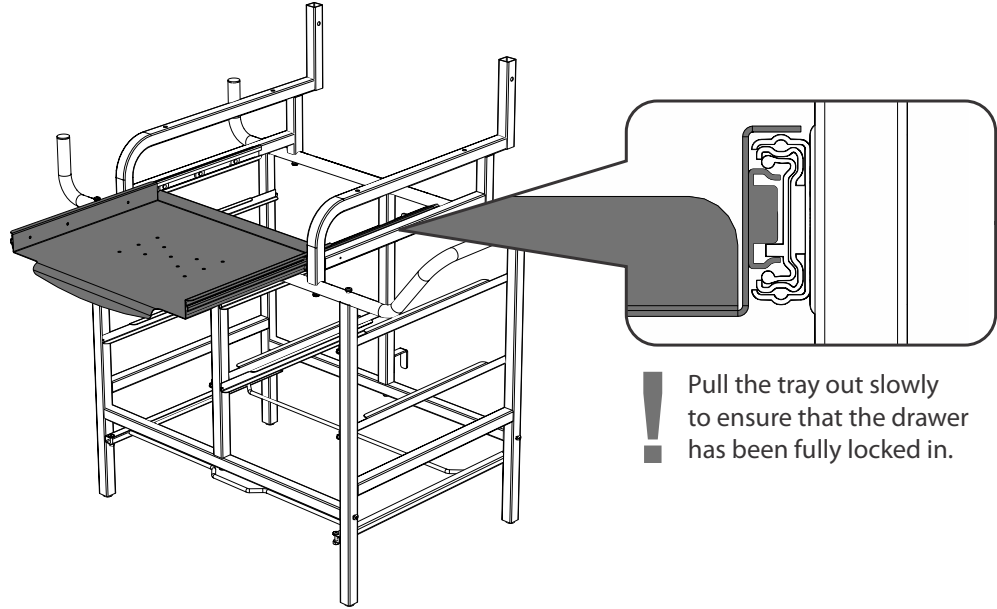
7

You will need: (Not to Scale)

Laptop Tray  
1x



### Install laptop tray



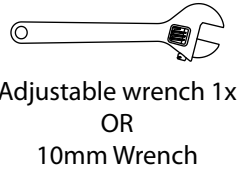
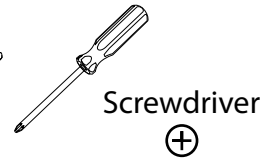
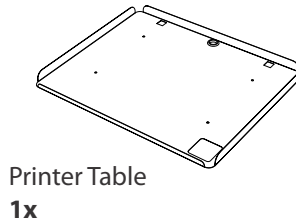
! Pull the tray out slowly to ensure that the drawer has been fully locked in.

8

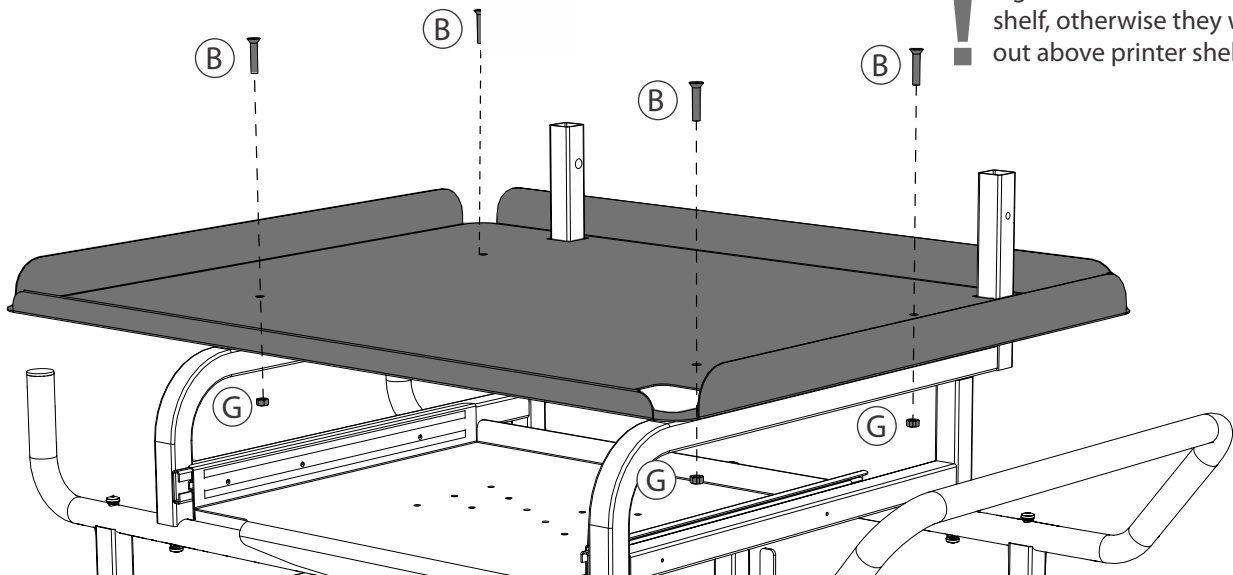
Actual Size:



You will need: (Not to Scale)



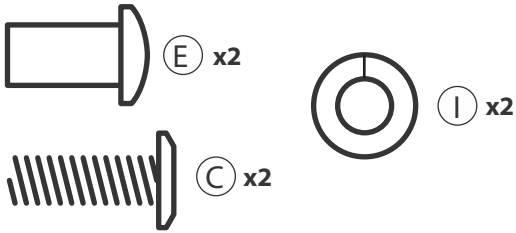
### Attach laptop tray stretchers



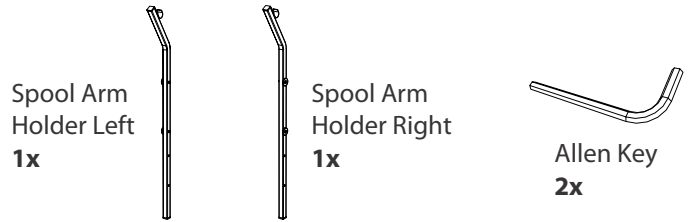
! Tighten screws until flush with shelf, otherwise they will stick out above printer shelf surface.

9

Actual Size:

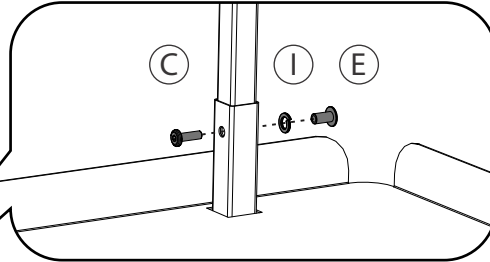
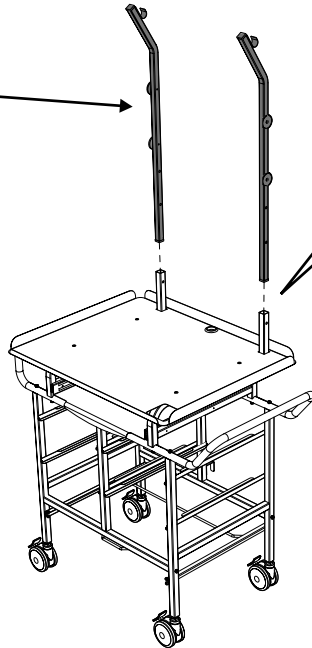


You will need: (Not to Scale)



### Install spool holder arms

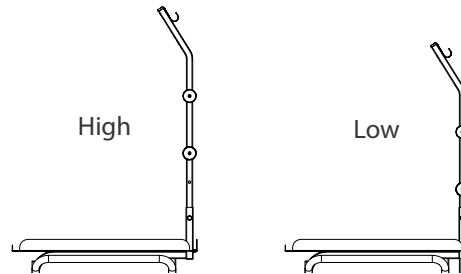
Magnets face out



2x



Spool holder arms are adjustable for different printers. Choose height where spools will not rest on printer body.

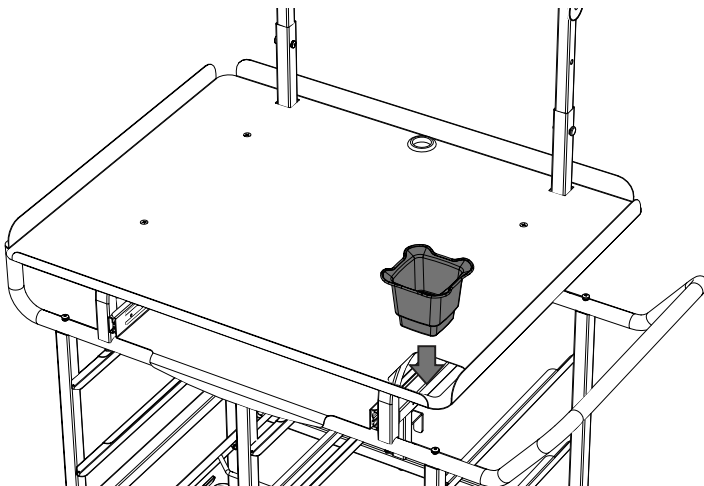


10

You will need: (Not to Scale)

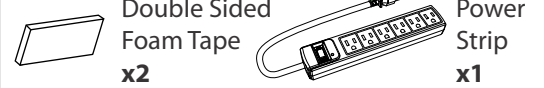


### Add tiny tub

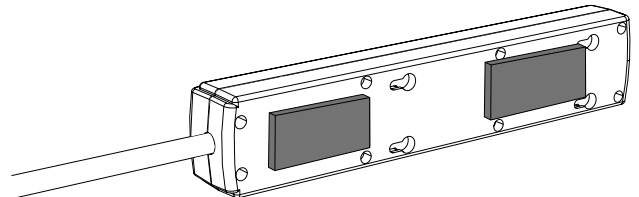


11

You will need: (Not to Scale)

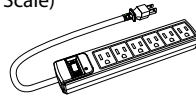


### Apply tape



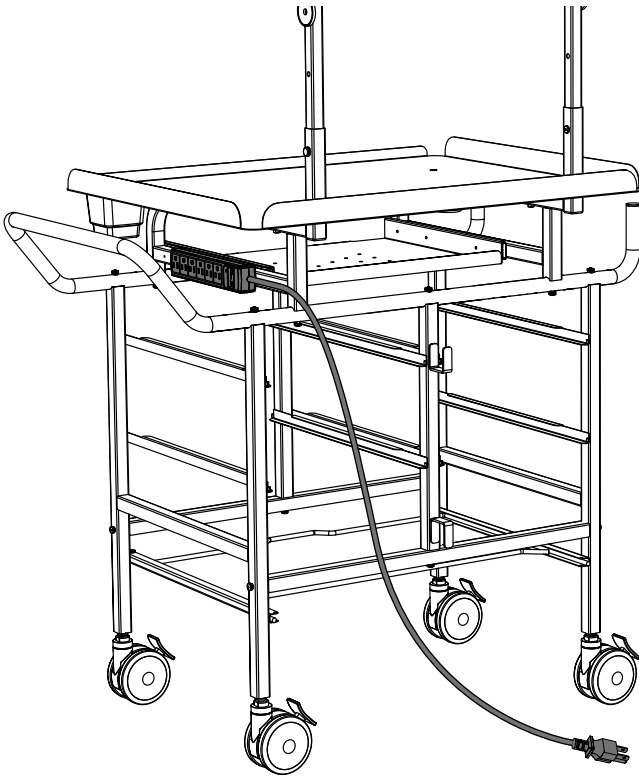
12

You will need: (Not to Scale)



Power Strip  
x1

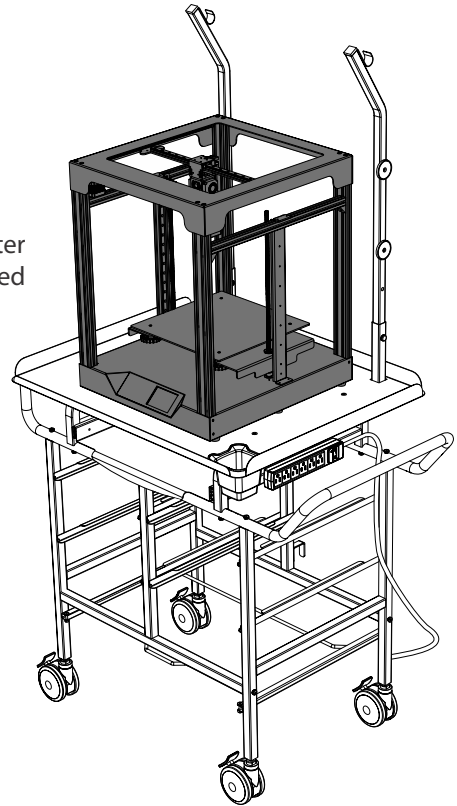
### Attach powerstrip



13

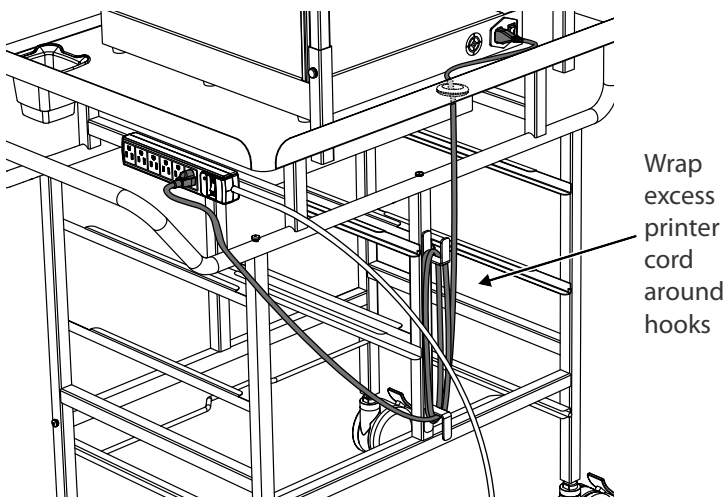
### Place 3D printer on table

3D printer  
not included



14

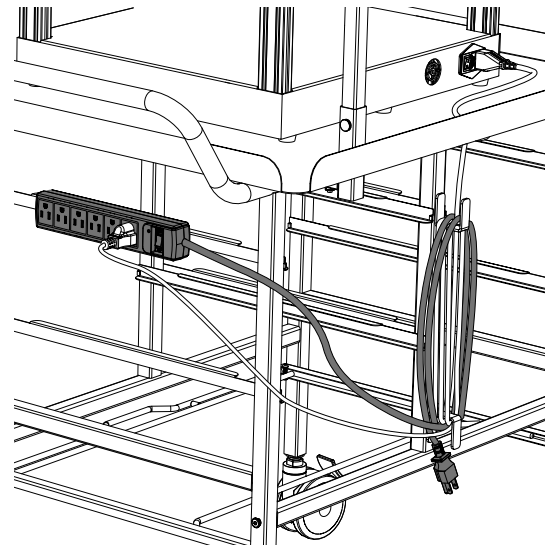
### Plug 3D printer into power strip



Wrap  
excess  
printer  
cord  
around  
hooks

15

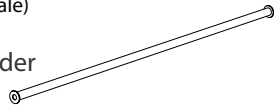
### Wrap power strip cord



# 16

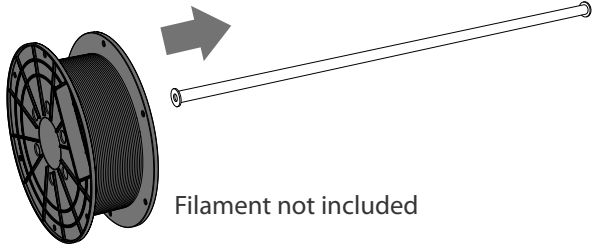
You will need: (Not to Scale)

Spool Holder  
1x

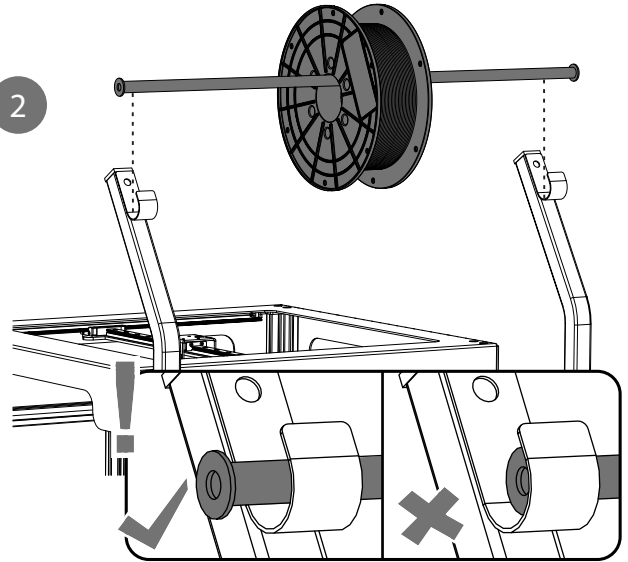


## Add spool holder

1



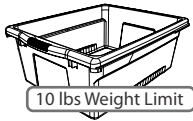
2



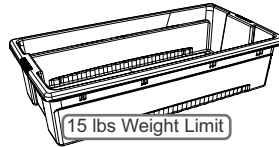
# 17

You will need: (Not to Scale)

TD5000



Open Tub  
x4



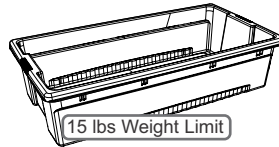
Really Big Tub  
1x

OR

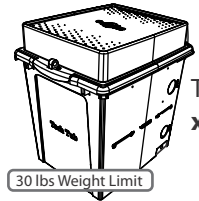
TD5001



Open Tub  
x2

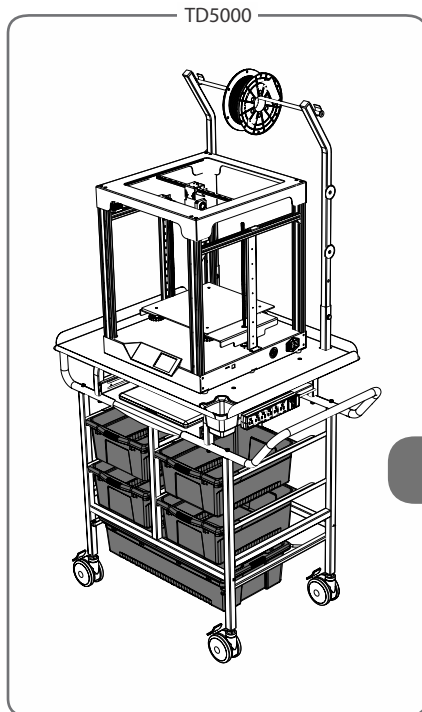


Really Big Tub  
1x



Tech Tub™  
x1

## Add tubs



OR

