

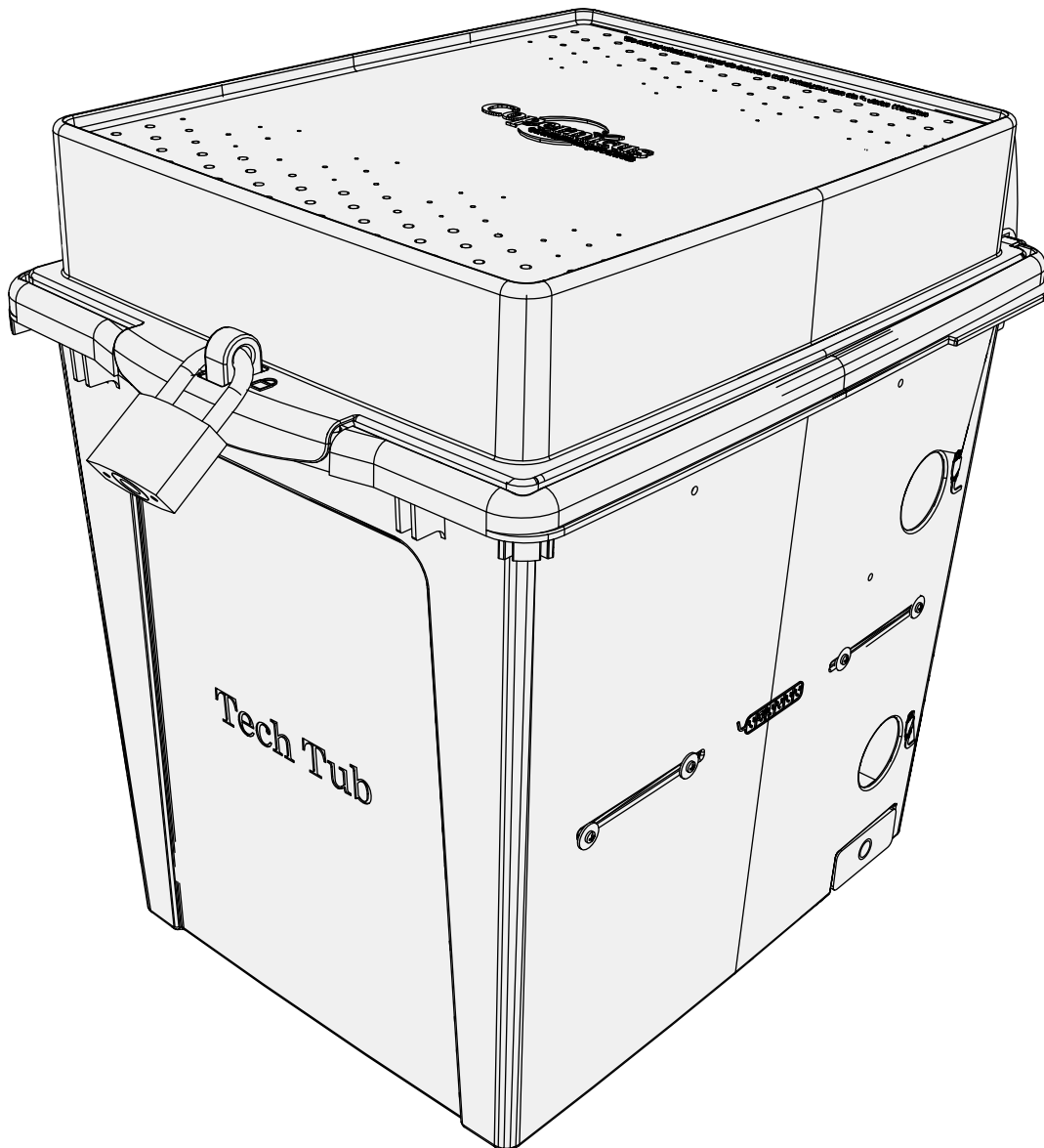
TEC600C, TEC601C  
TEC600C-8,  
TEC601C-8

# Tech Tub<sup>®</sup> for 6 Devices



## Assembly Guide

Check out our other products online at [www.copernicused.com](http://www.copernicused.com)  
For assistance, please contact us by telephone at 1-800-267-8494 or email at [info@copernicused.com](mailto:info@copernicused.com).  
Have your packing slip ready for reference.



Please Recycle

Version E - Released August 11, 2023 - Copernicus Educational Products Inc.

# Customer Service & Warranty Information

Dear Educator,

Thank you for purchasing the Tech Tub<sup>®</sup>. We hope it meets your expectations and you and your students enjoy using it at your school.

Every day we see and hear stories of teachers going above and beyond to help students thrive. Thank you so much for all you do – you are awesome, and you make a difference.

Thank you for inspiring us.

If you have any questions, concerns or ideas on how we can improve please let us know by contacting our Customer Solutions Ninjas at 1-800-267-8494 or [info@copernicused.com](mailto:info@copernicused.com).

Happy teaching,

Kaylyn Belcourt, President  
[kaylyn@copernicused.com](mailto:kaylyn@copernicused.com)



We do not inherit the earth from our ancestors, we borrow it from our children.

- NATIVE AMERICAN PROVERB

Change is the end result of all true learning.

- LEO BUSCAGLIA

What you leave behind is not what is engraved in stone monuments, but what is woven into the lives of others.

- PERICLES

Education is the most powerful weapon which you can use to change the world.

- NELSON MANDELA

For missing parts and other issues regarding your product: Please contact Customer Service, where we will be happy to help. Telephone: 1-800-267-8494, Monday - Friday 8:00am - 4:30 pm EST Email: [info@copernicused.com](mailto:info@copernicused.com)

My iPad/Chromebook isn't working, who should I call? Please contact the reseller that you bought the device from. Reseller information can be found on your packing slip.

**Need Support?  
Have a Question?**



[Email Customer Service](mailto:info@copernicused.com)

**Check out some of our other great products!**



[www.copernicused.com](http://www.copernicused.com)

**Lifetime**  
All Components  
Warranty

## Register your Product

Registering your warranty ensures we have all the information we need to make any future warranty claims quick and easy. Please visit [www.copernicused.com/warranty](http://www.copernicused.com/warranty) and complete the form within 10 business days from product assembly. By registering your product, you will be entered into a draw to win Copernicus product.

## Make a Warranty Claim

We offer a Lifetime Warranty on almost everything we make. Please call 1-800-267-8494 or email [info@copernicused.com](mailto:info@copernicused.com) to start your warranty claim. Proof of purchase will be required upon warranty claim (i.e. copy of invoice).

# Tips for Assembly

## Before You Begin:

- Lay out and identify all of the included parts.
- The hardware has been packed according to step
- Read the assembly guide over once to familiarize yourself with them.

## As You Assemble the Unit:

- Follow the steps in sequence.
- Before beginning each step, find the part(s) that you need for that step.
- The title of each step states what you will be doing. Review the text and the pictures as you build the unit.

## Watch for These Helpful Symbols:



2-Person Task

For safety, please have someone help you when working on steps displaying this symbol.



The symbol denotes a step needing extra attention to ensure it is done correctly.



# Important Information! Warning!

Please read the warnings below for important safety information regarding your product. Failure to read these warnings or to follow the instructions below could result in personal injury or damage to your product that could void your warranty.



Small Parts

In its unassembled state, this product contains parts that can be hazardous to small children. This product should be assembled by an adult.



Adult Supervision

This product is to be used under the supervision of an adult.



No Maintenance

This product does NOT require maintenance. Repairs should only be performed by authorized personnel. Please contact customer service if repairs are required.



Indoor Use Only

This product is intended for indoor commercial use only. To reduce the risk of fire or electric shock, do not expose this product to rain or moisture. The internal components are not sealed from the environment.



Power Strip Specifications

Read your power strip electrical specifications. Only plug in devices that are approved for use with this power strip. Connect the supplied power strip directly to a wall outlet. Do not connect to another power strip or use an extension cord. Turn off power strip before unplugging. Unplug when not in use.



Electronic Equipment

Read the electrical specifications of any electronic equipment you are using with your Copernicus products. Failure to read these specifications and follow their instructions could result in damage to your equipment or personal injury.



Cable Trip Hazard

Ensure that any cables extending across the floor to your product are properly bundled and marked to avoid tripping or falling which may lead to personal injury.



Electrical Shock

Do not install or use the electrical components of this unit during a lightning storm.

Before beginning, you should have:

Additional tools required:



Adjustable wrench x2

OR

11mm Wrench x2

Tools Included:

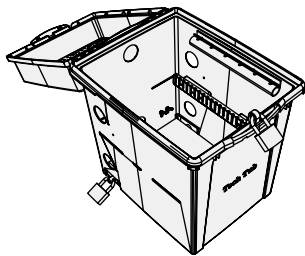
Allen Key 4mm  
1x



TEC600C

Tech Tub<sup>®</sup> Premium - 6 Devices

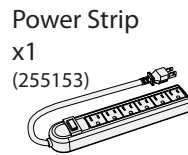
Contents - Box 1



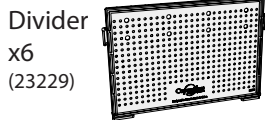
Tech Tub<sup>®</sup>  
x1



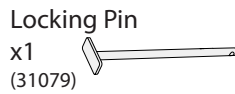
Hook & Loop Straps  
x6



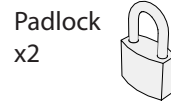
Power Strip  
x1  
(255153)



Divider  
x6  
(23229)



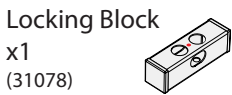
Locking Pin  
x1  
(31079)



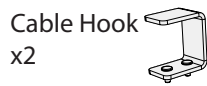
Padlock  
x2



Power Strip Bracket  
x2  
(232281)



Locking Block  
x1  
(31078)



Cable Hook  
x2



Key  
x6

Hardware (Actual Size)

A

M4 Wing Nut  
x8



B

M4 Lock Washer  
x8



C

M4 x 14mm  
Carriage Screw  
x4



D

M4 Flat Washer  
x4



E

M6 Washer  
x6



F

M6 Lock Nut  
x2



G

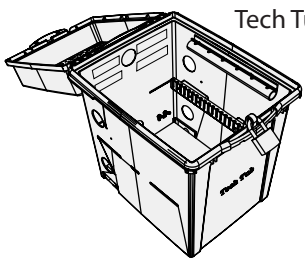
M6 x 70mm Screw  
x2



TEC601C

Tech Tub<sup>®</sup> Standard - 6 Devices

Contents - Box 1



Tech Tub<sup>®</sup>  
x1

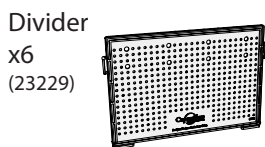
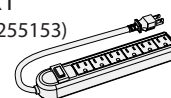


Cable Hook  
x2



Hook & Loop Straps  
x6

Power Strip  
x1  
(255153)



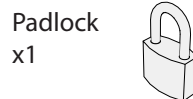
Divider  
x6  
(23229)



Power Strip Bracket  
x2  
(232281)



Key  
x3



Padlock  
x1

Hardware (Actual Size)

A

M4 Wing Nut  
x8



B

M4 Lock Washer  
x8



C

M4 x 14mm  
Carriage Screw  
x4



D

M4 Flat Washer  
x4



Before beginning, you should have:

Additional tools required:



Adjustable wrench x2

OR

11mm Wrench x2

Tools Included:

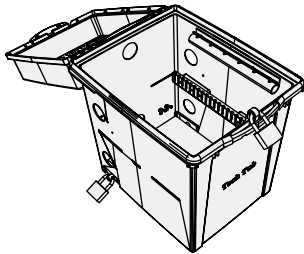
Allen Key 4mm 1x



TEC600C-8

Tech Tub® Premium - 6 Devices with Large Power Adapters

Contents - Box 1



Tech Tub® x1

Adapter extension cables (255155) x6

Hook & Loop Straps x6

Power Strip x1 (255153)

Divider x6 (23229)

Power Strip Bracket x2 (232281)

Locking Block x1 (31078)

Locking Pin x1 (31079)

Cable Hook x2

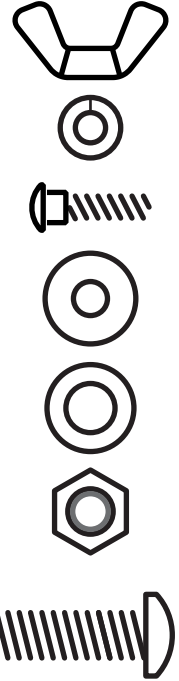
Padlock x2

Key x6

In Box 1

Hardware (Actual Size)

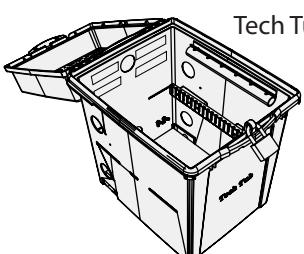
- (A) M4 Wing Nut x8
- (B) M4 Lock Washer x8
- (C) M4 x 14mm Carriage Screw x4
- (D) M4 Flat Washer x4
- (E) M6 Washer x6
- (F) M6 Lock Nut x2
- (G) M6 x 70mm Screw x2



TEC601C-8

Tech Tub® Standard - 6 Devices with Large Power Adapters

Contents - Box 1



Tech Tub® x1

Cable Hook x2

Adapter extension cables (255155) x6

Hook & Loop Straps x6

Power Strip x1 (255153)

Divider x6 (23229)

Power Strip Bracket x2 (232281)

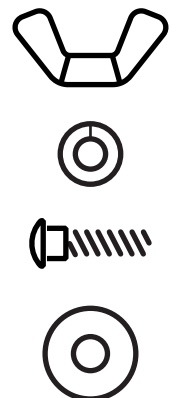
Key x3

Padlock x1

In Box 1

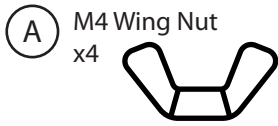
Hardware (Actual Size)

- (A) M4 Wing Nut x8
- (B) M4 Lock Washer x8
- (C) M4 x 14mm Carriage Screw x4
- (D) M4 Flat Washer x4

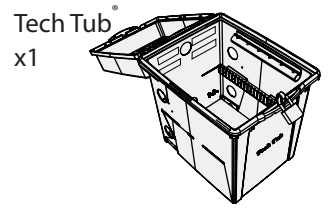
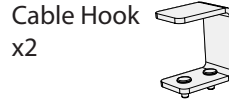


1

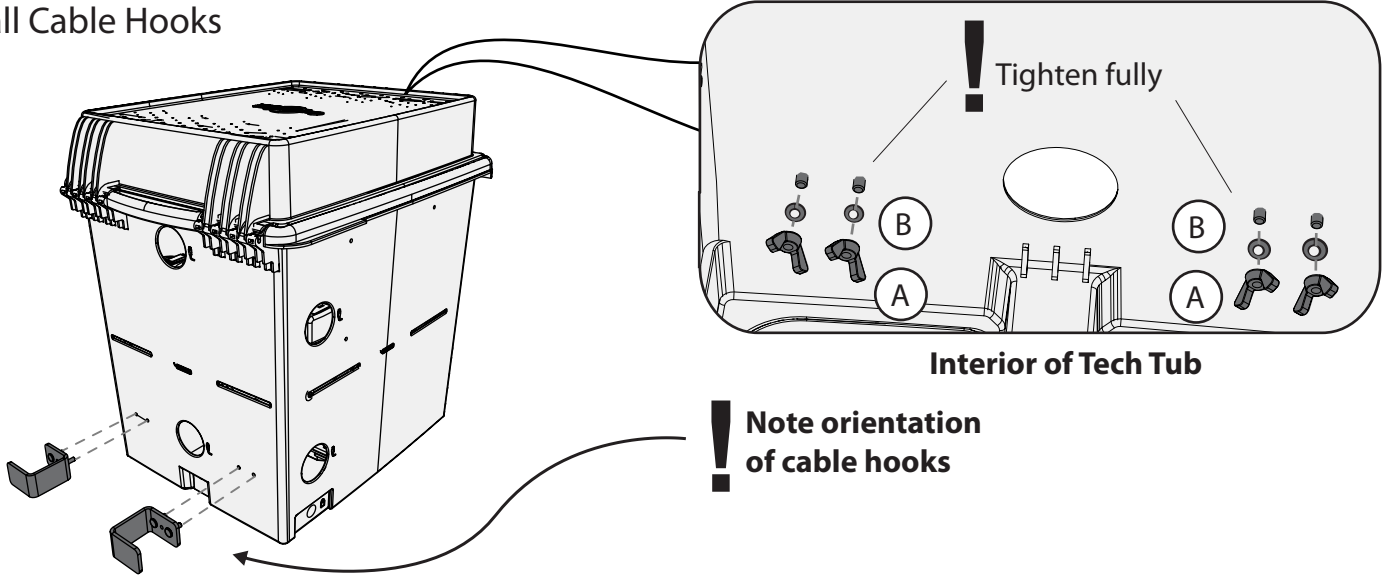
Actual Size:



You will need: (Not to Scale)

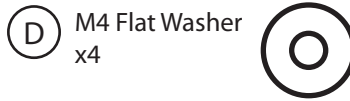
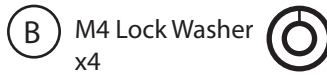
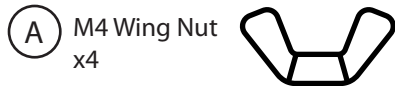


### Install Cable Hooks

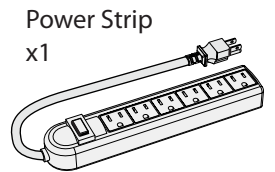
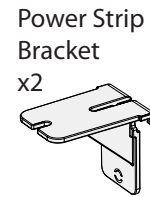


2

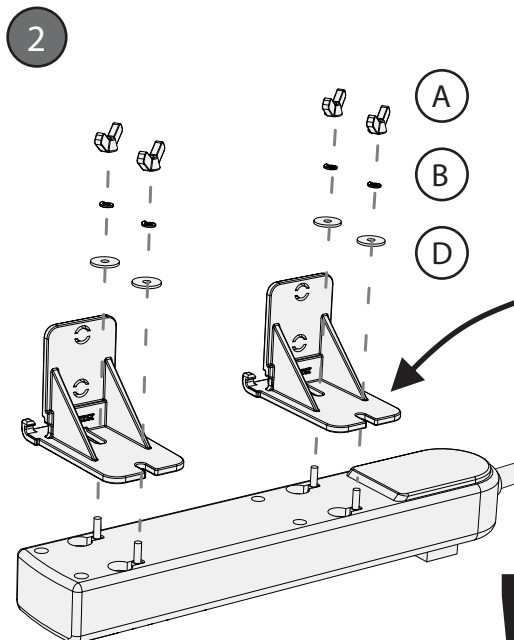
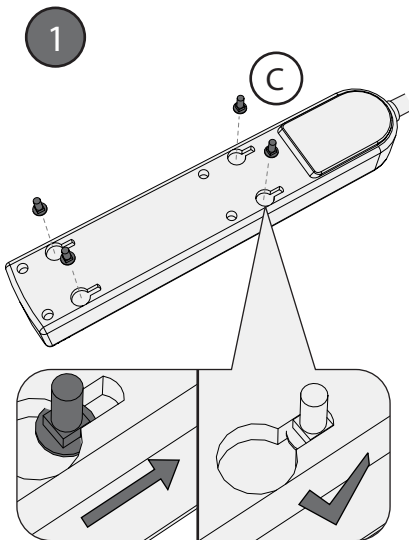
Actual Size:



You will need: (Not to Scale)



### Install Carriage Bolts on Power Strip and Mount to Power Strip Brackets



! Hold bracket in place while tightening hardware.  
■ Tighten fully.

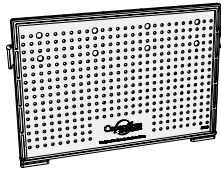
Power strip cord end

! Pay close attention to orientation of power strip.

★ Keep your power strip upside down as shown. This will make the assembly easier!

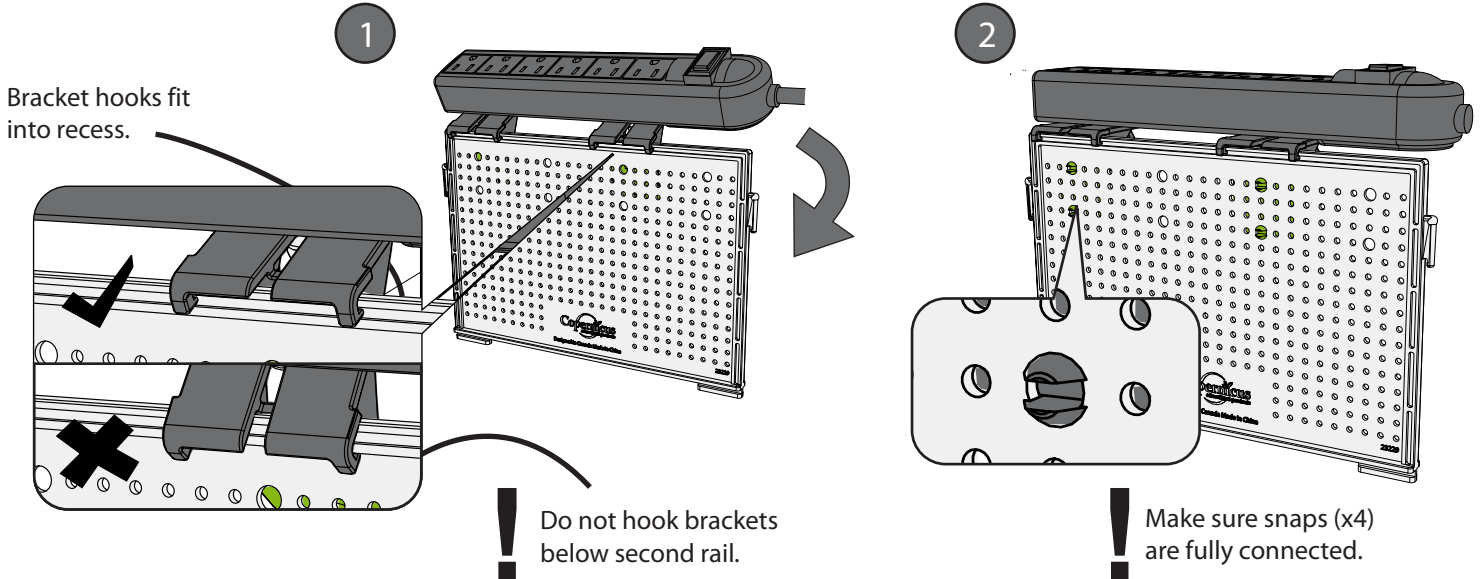
3

You will need: (Not to Scale)



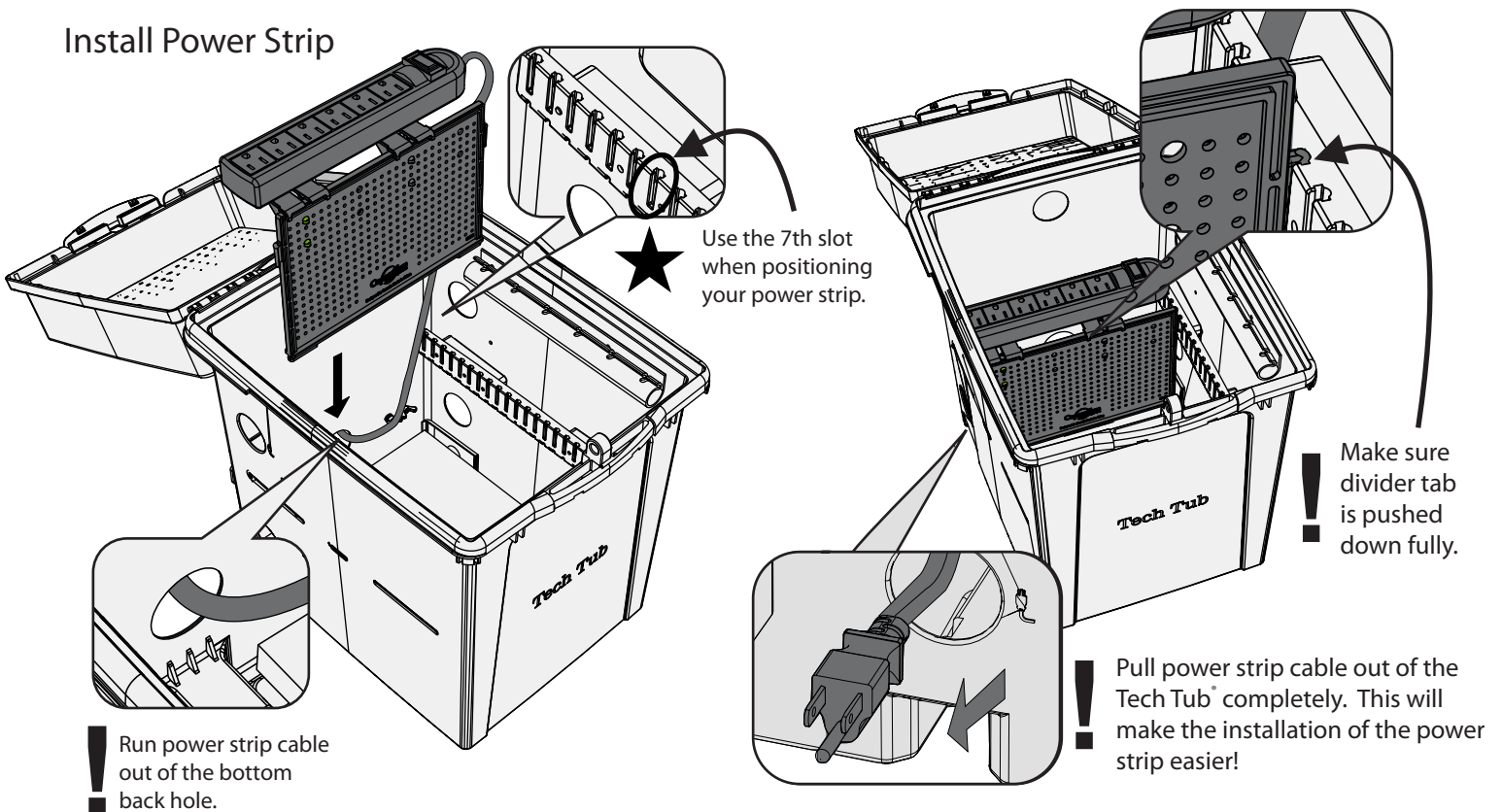
Divider  
x1

### Assemble Power Strip on Divider



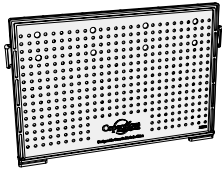
4

### Install Power Strip



5

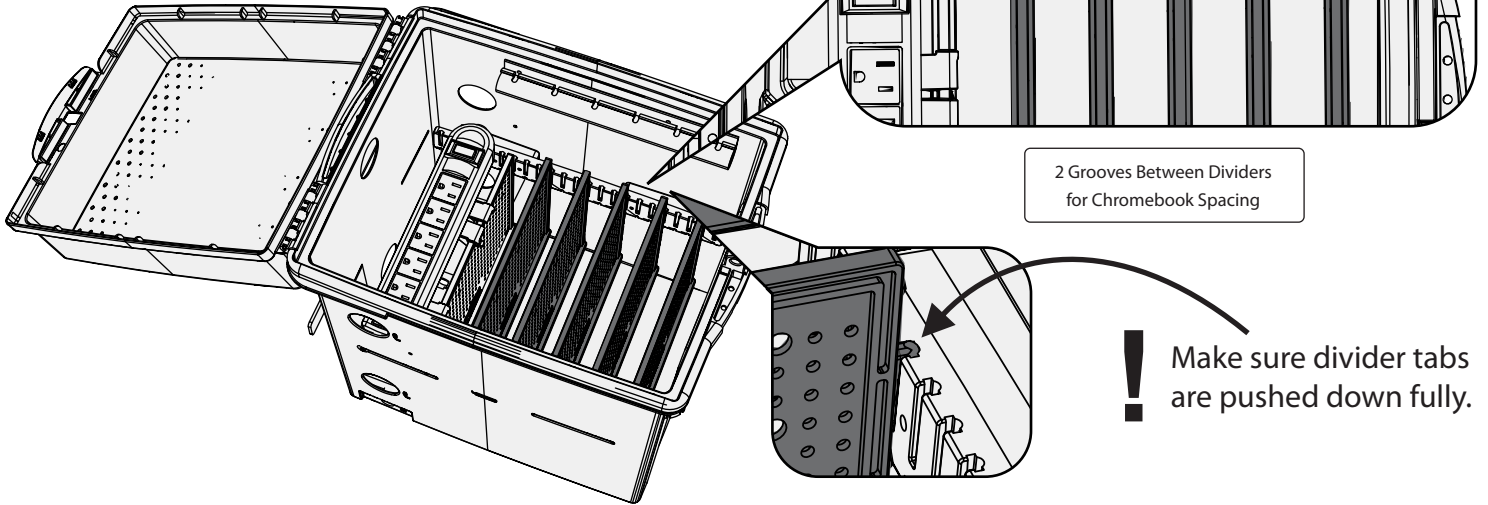
You will need: (Not to Scale)



Divider  
x5

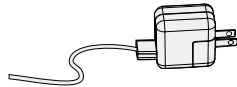
### Install Dividers

Space dividers according to device size. Use the narrowest spacing to minimize your device's movement during transport. Leave extra room if you have a case!



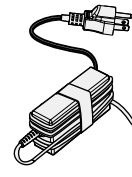
6A  
TEC600C  
TEC601C  
ONLY

You will need: (Not to Scale)



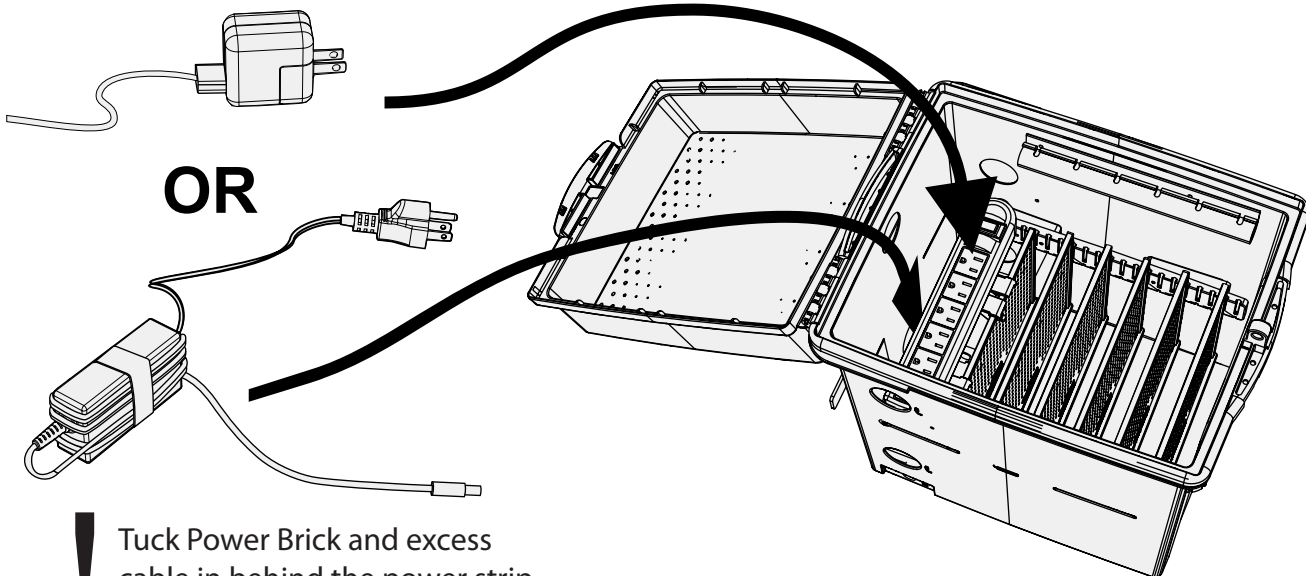
Wall Adapter  
x6

OR



Power Brick  
x6

### Plug In Power Adapters



! Tuck Power Brick and excess cable in behind the power strip.



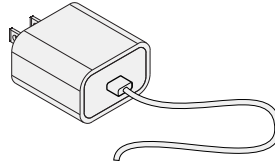
# 6B

TEC600C-8,  
TEC601C-8  
ONLY

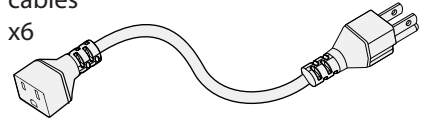
You will need: (Not to Scale)

**Follow this step for larger power adapters that are too large to fit on the 6 outlet power strip**

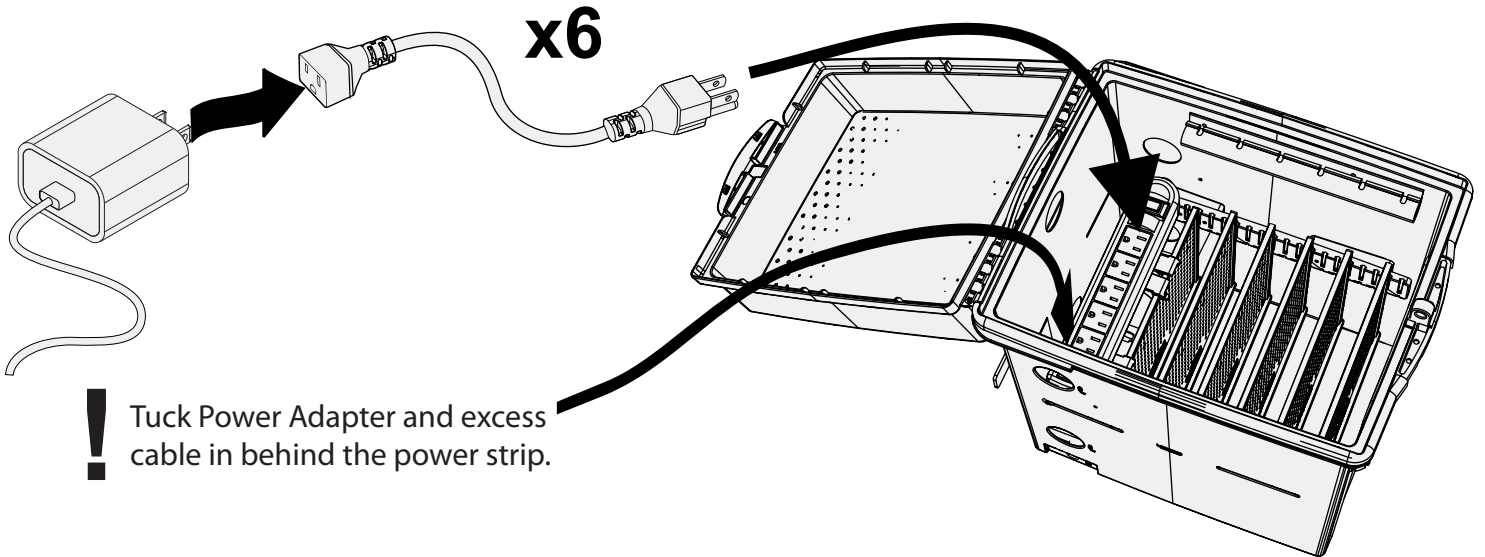
Large Power Adapter  
x6



Adapter extension  
cables  
x6



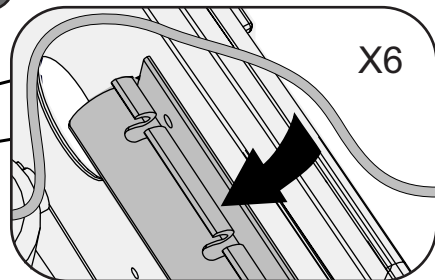
Plug in power adapter to extension cords, and plug in extension cords to power strip



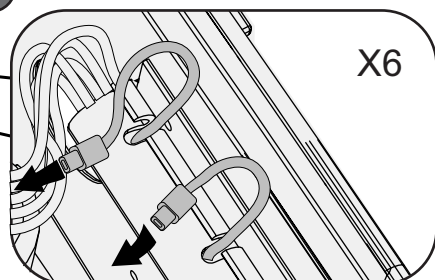
# 7

Route Charging Cable through Cable Management Channel

**2** Push cable into cable management channel

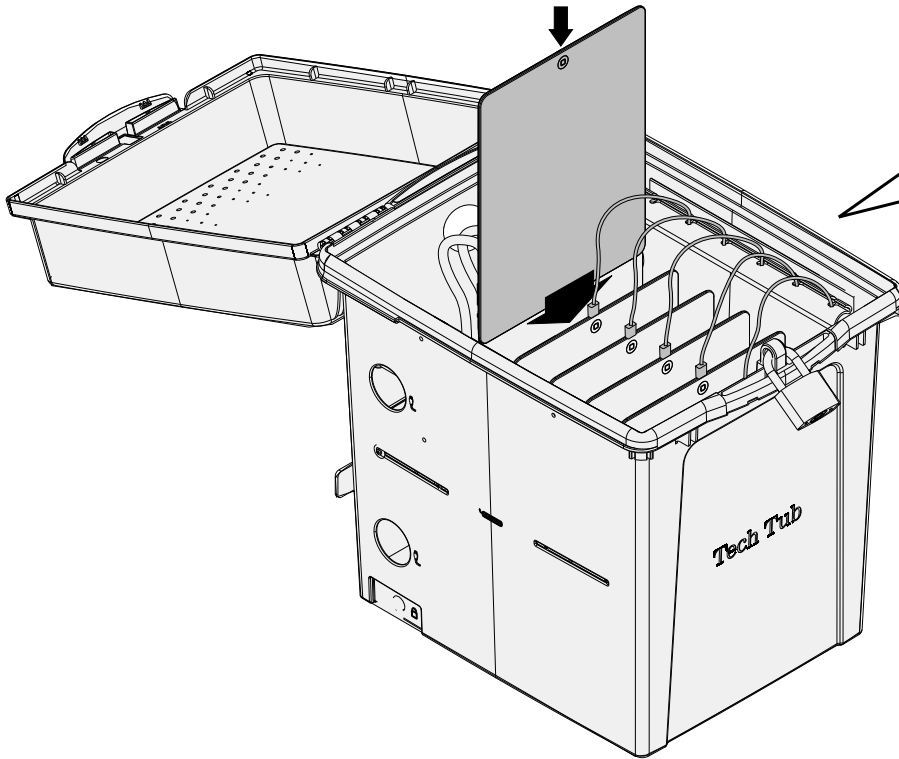


**3** Route cable out through slots

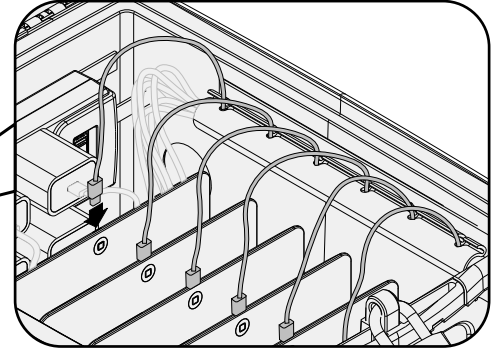


## Insert devices into Tub and begin charging

1 Insert device into Tub with charging port facing up

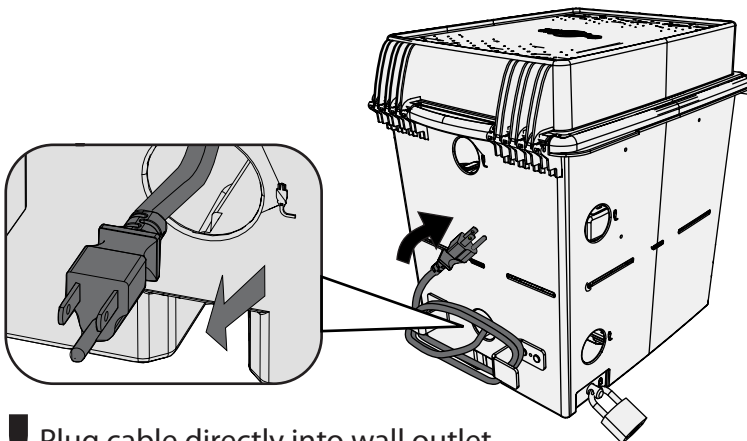


2 Plug charging cables into devices



3 Plug in power cable and turn on Power Strip to begin charging devices.

## Wrap Power Strip Cable for Transport



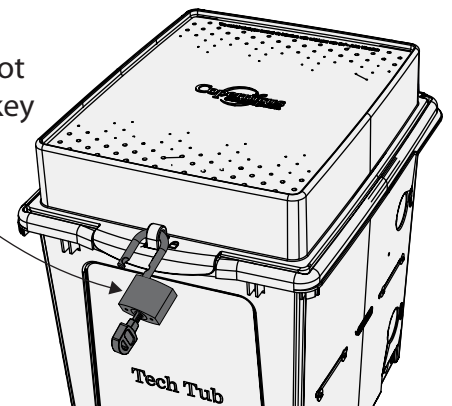
**!** Plug cable directly into wall outlet.  
DO NOT PLUG THIS POWER STRIP INTO ANOTHER POWER STRIP.

You will need: (Not to Scale)



## Lock Lid with Padlock

**!** Note:  
Padlock will not  
lock without key




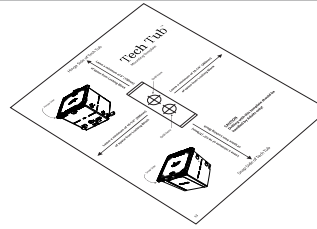
**OPTIONAL:**  
(TEC600C, TEC600C-8 ONLY)

Follow Steps 11 to 13 to install the Tech Tub®  
Locking Block and Locking Pin System

11

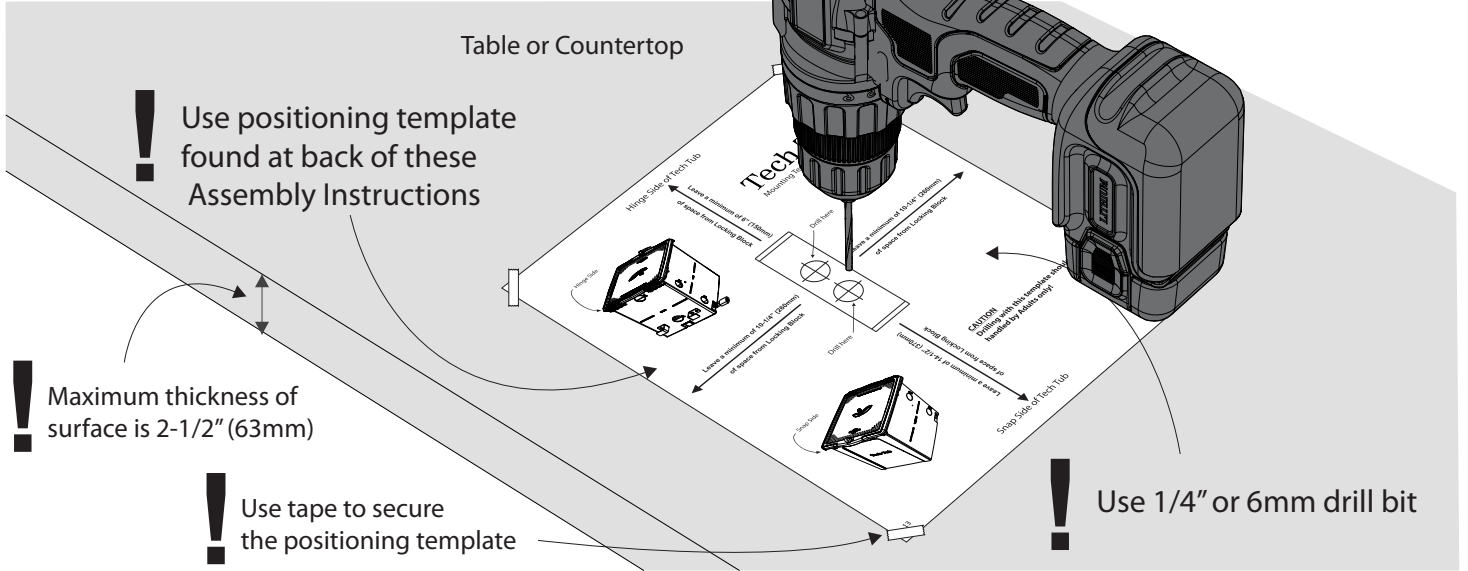
You will need: (Not to Scale)

 This system allows you to lock your Tech Tub® to a table or countertop. This is a really good idea if you leave your devices out in the open or your room doesn't lock. You can then lock the Tech Tub in place and lock the Tech Tub itself.



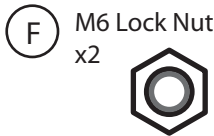
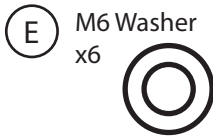
Positioning Template (found at back of this guide)  
x1

Use Template and Drill Holes into Surface

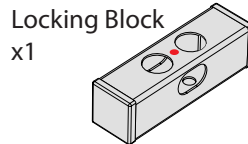


12

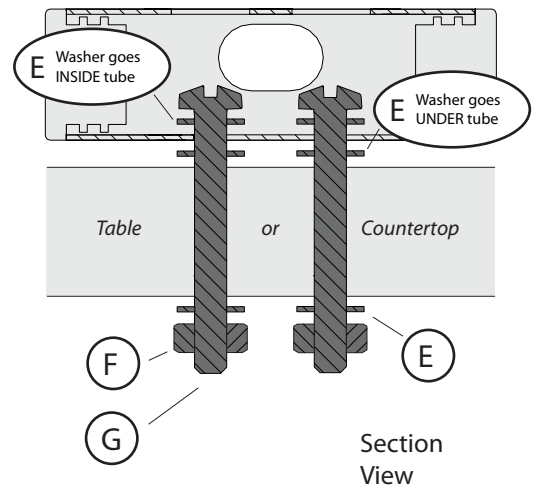
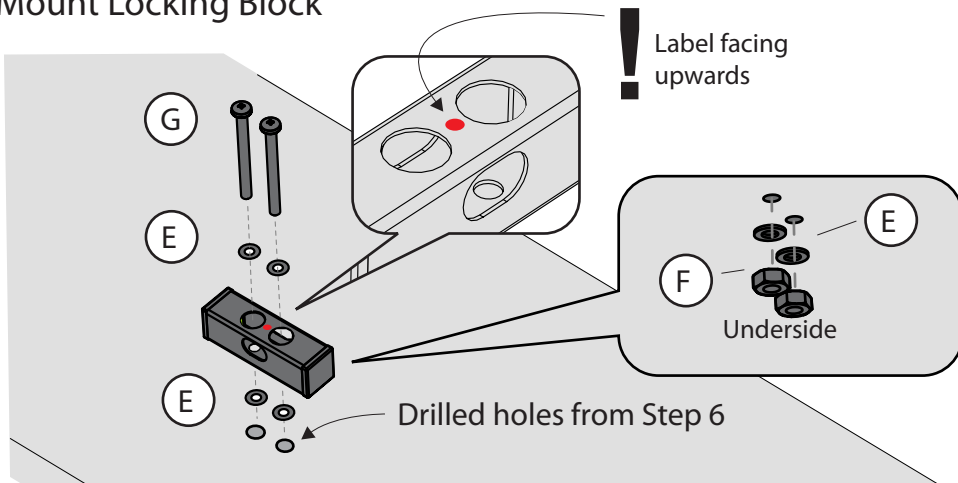
Actual Size:



You will need: (Not to Scale)



Mount Locking Block



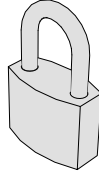
OPTIONAL:  
(TEC600C, TEC600C-8 ONLY)

# Follow Steps 11 to 13 to install the Tech Tub® Locking Block and Locking Pin System

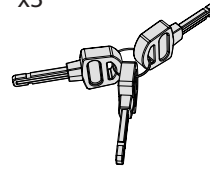
13

You will need: (Not to Scale)

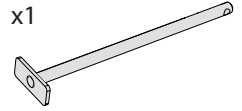
Padlock  
x1



Key  
x3

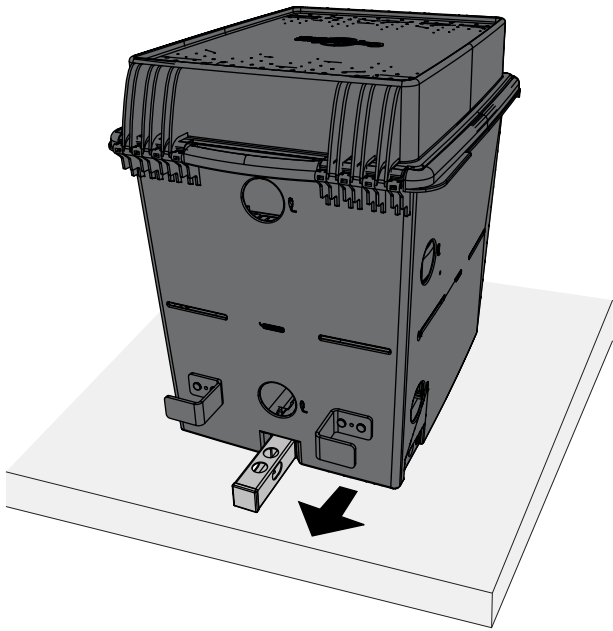


Locking Pin  
x1

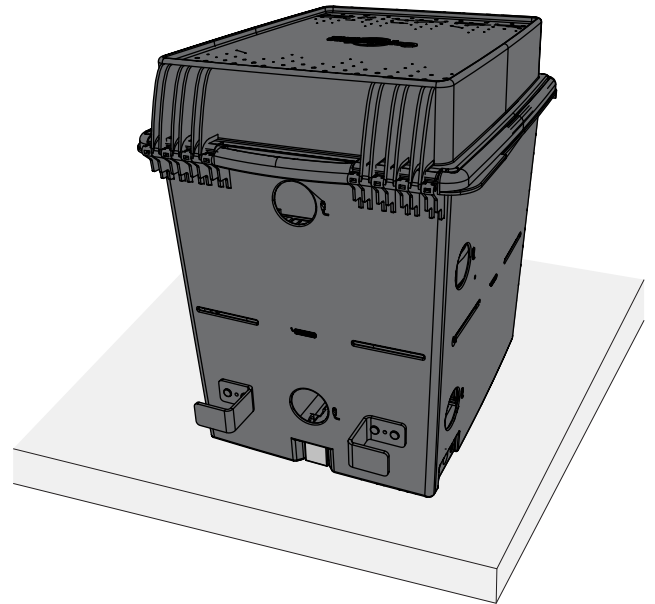


## Lock the Tech Tub® with Locking Pin

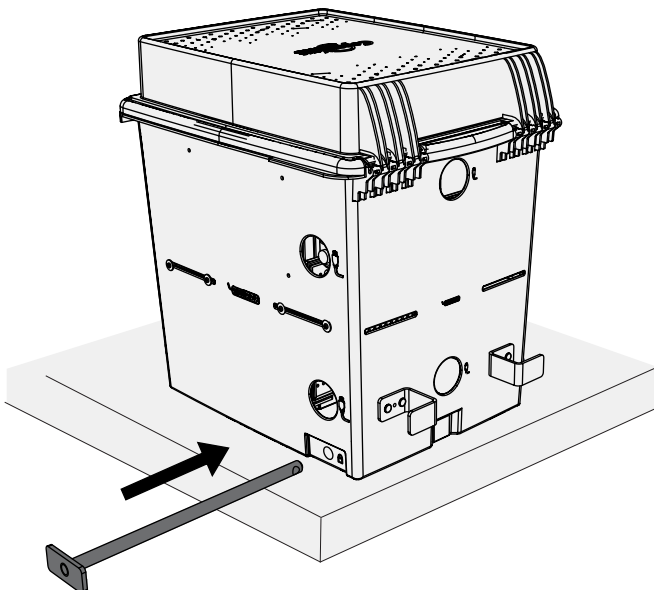
1 Push Tech Tub® onto Locking Block



2 Push Tech Tub® all the way back until the Locking Block is completely in channel.



3 Slide Locking Pin through hole on Tech Tub®



4 Secure Locking Pin with Padlock on other side.

