

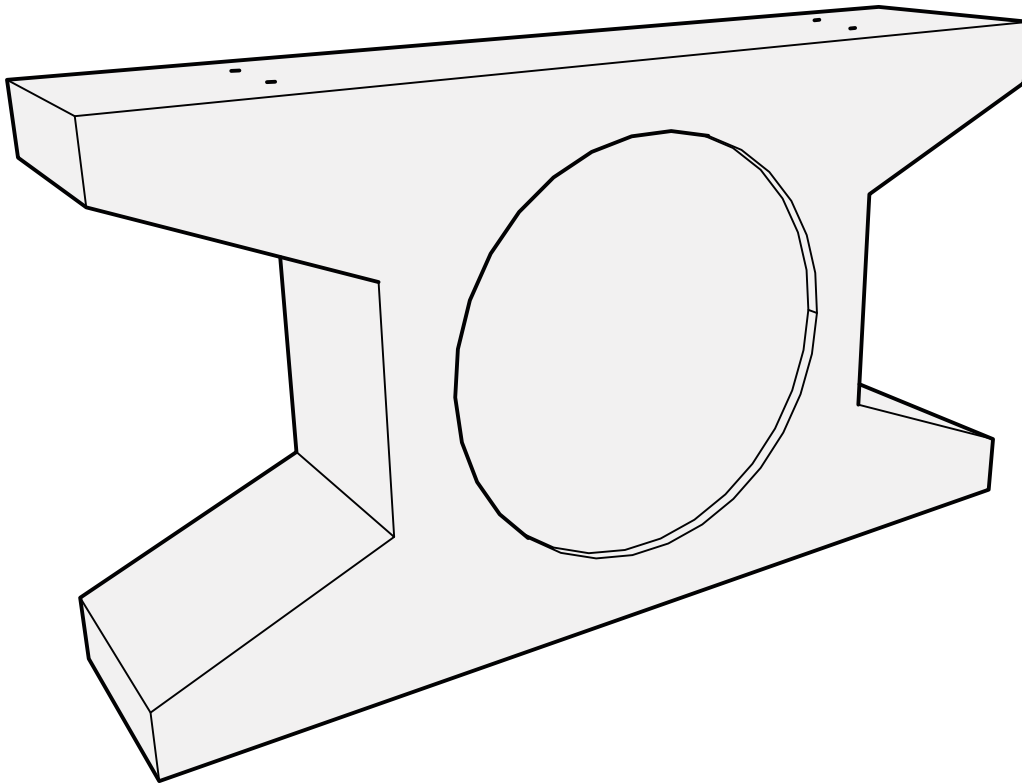


Assembly Guide

Check out our other products online at www.copernicused.com

For assistance, please contact us by telephone at **1-800-267-8494** or email at info@copernicused.com.

Have your packing slip ready for reference.



Customer Service & Warranty Information

Dear Educator,

Thank you for purchasing the Ground Anchor - Type 1. We hope it meets your expectations and you and your students enjoy using it at your school.

Every day we see and hear stories of teachers going above and beyond to help students thrive. Thank you so much for all you do – you are awesome, and you make a difference.

Thank you for inspiring us.

If you have any questions, concerns or ideas on how we can improve please let us know by contacting our Customer Solutions Ninjas at 1-800-267-8494 or info@copernicused.com.

Happy teaching,

Kaylyn Belcourt, President
kaylyn@copernicused.com



We do not inherit the earth from our ancestors, we borrow it from our children.

- NATIVE AMERICAN PROVERB

Change is the end result of all true learning.

- LEO BUSCAGLIA

What you leave behind is not what is engraved in stone monuments, but what is woven into the lives of others.

- PERICLES

Education is the most powerful weapon which you can use to change the world.

- NELSON MANDELA

For missing parts and other issues regarding your product:

Please contact Customer Service, where we will be happy to help.

Telephone: 1-800-267-8494, Monday - Friday 8:00am - 4:30 pm EST

Email: info@copernicused.com

**Need Support?
Have a Question?**



[Email Customer Service](mailto:info@copernicused.com)

**Check out some of our
other great products!**



www.copernicused.com



Register your Product

Registering your warranty ensures we have all the information we need to make any future warranty claims quick and easy. Please visit www.copernicused.com/warranty and complete the form within 10 business days from product assembly. By registering your product, you will be entered into a draw to win Copernicus product.

Tips for Assembly

Before You Begin:

- Lay out and identify all of the included parts.
- The hardware has been packed together in one bag.
- Read the assembly guide over once to familiarize yourself with them.

As You Assemble the Unit:

- Follow the steps in sequence.
- Before beginning each step, find the part(s) that you need for that step.
- The title of each step states what you will be doing. Review the text and the pictures as you build the unit.

Watch for These Helpful Symbols:



2-Person Task

For safety, please have someone help you when working on steps displaying this symbol.



The symbol denotes a step needing extra attention to ensure it is done correctly.



Important Information! Warning!

Please read the warnings below for important safety information regarding your product. Failure to read these warnings or to follow the instructions below could result in personal injury or damage to your product that could void your warranty.



Small Parts

In its unassembled state, this product contains parts that can be hazardous to small children. This product should be assembled by an adult.

Parts

Before beginning, you should have:

Additional tools required:

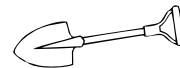
Drill
1x



+

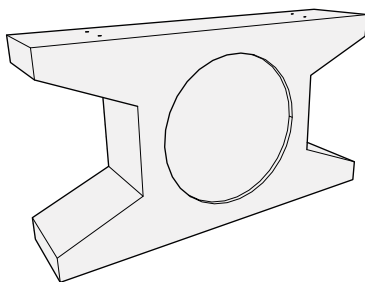
Drillbit 3/16"
1x

+



Shovel
1x

OD-GA1B



Ground anchor
2x

Hardware
Not to Scale



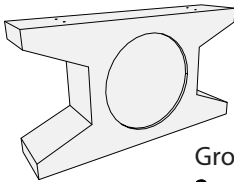
(A) Wood screw,
Torx. 4 x 100mm,
8x

1

You will need: (Not to Scale)



2-Person Task



Ground anchor
2x



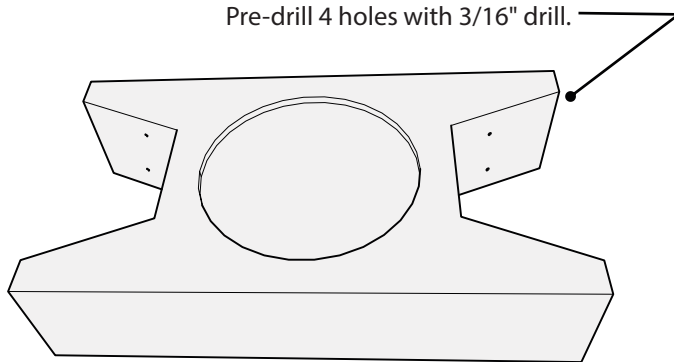
Drill
1x



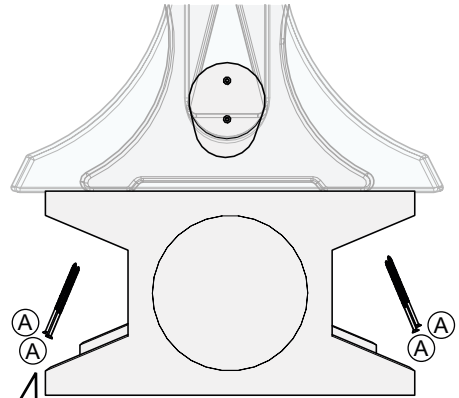
A Wood screw,
Torx. 4 x 100mm,
8x

! Finish the assembly of bench or table first before attaching anchors.

1



2



Fasten the screws to the feet of the bench or table. 4 screws go in each anchor.

2

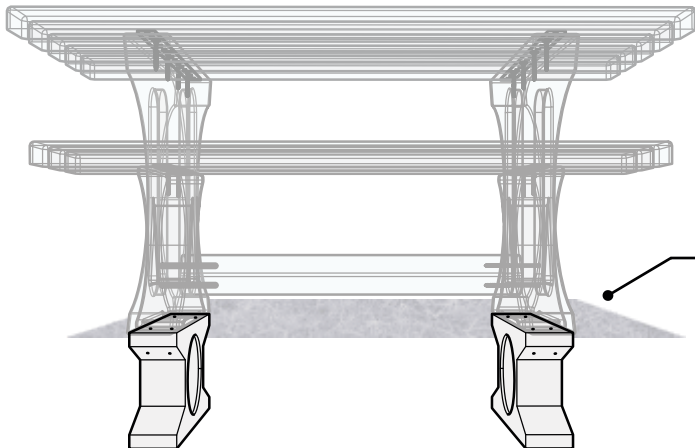
You will need: (Not to Scale)



2-Person Task



Shovel
1x



! Dig holes 10.5" deep and at least 5" wide for each anchor. Distance between the anchor holes will be determined by the size of your bench or table once assembled.

Place the assembled bench or table with attached anchors into the dug holes. Top of anchors should be at the ground level. Once anchors and table or bench are positioned properly, back-fill the holes with cement or soil.