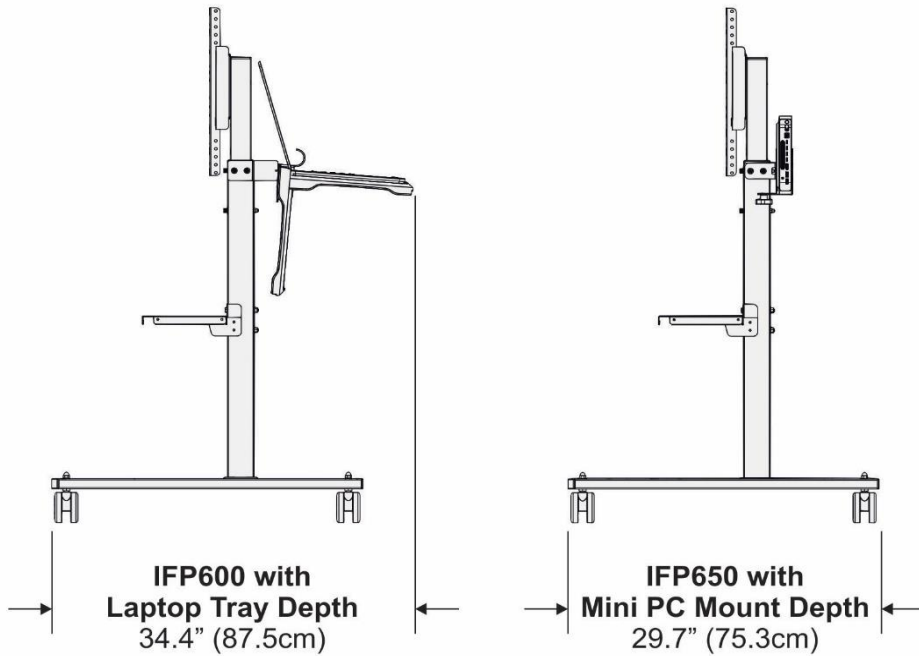
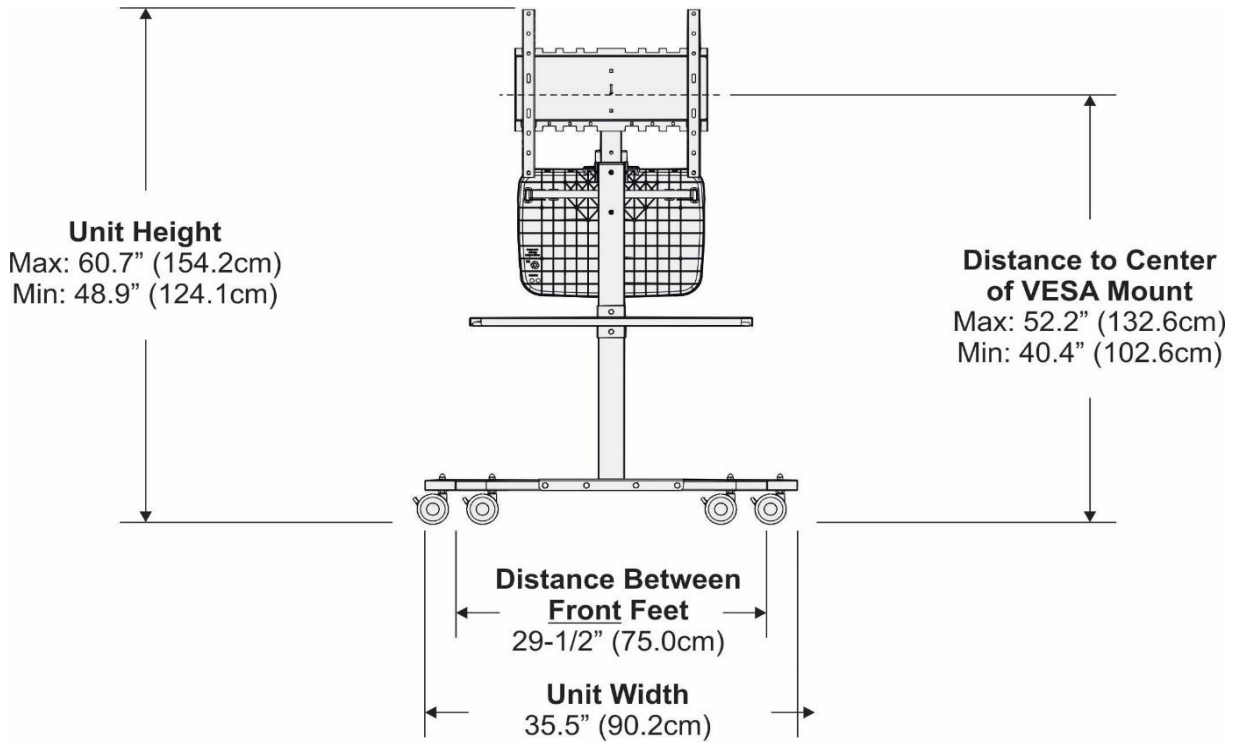


**iRover2 Cart for 30-55in Flat Panels with Laptop Tray / Mini PC Mount**

Model: IFP600, IFP650

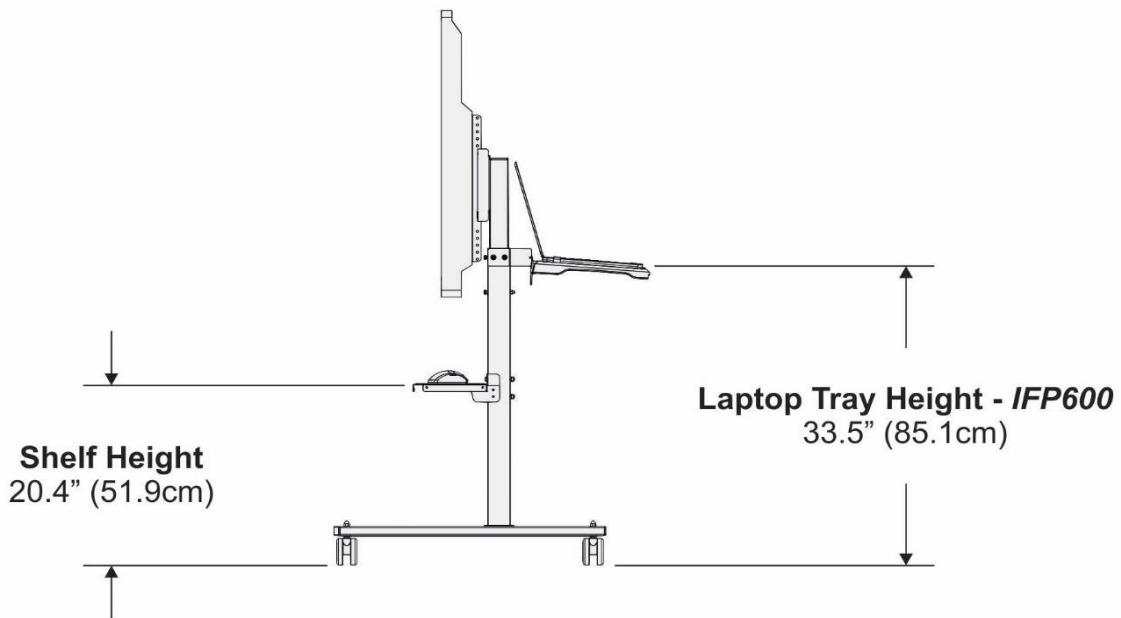
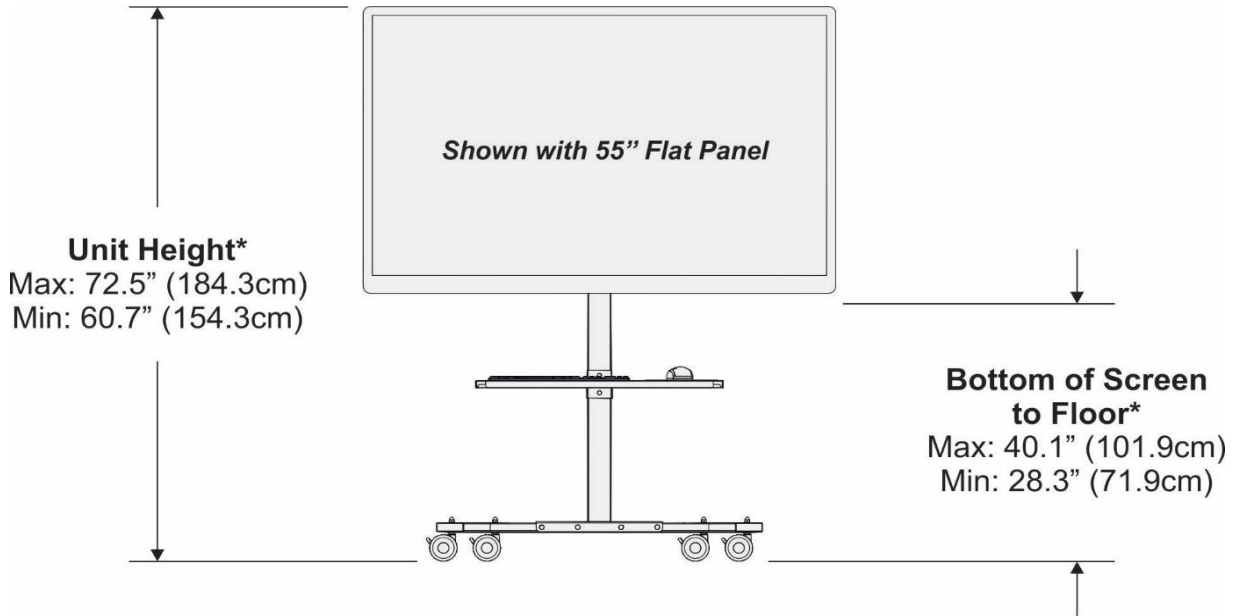


*Laptop and mini PC not included.*

All dimensions ± 1/8" (0.3cm).  
All weights ± 8 oz (250g).

**iRover2 Cart for 30-55in Flat Panels with Laptop Tray / Mini PC Mount**

Model: IFP600, IFP650



*(\*) values are approximate and will vary depending on your flat panel.  
Flat panel and accessories not included.*

**iRover2 Cart for 30-55in Flat Panels with Laptop Tray / Mini PC Mount**Model: IFP600, IFP650

---

**Warranty:**

Lifetime warranty on all components (does not include flat panel or 3rd party components).

---

**Physical Specifications:**

49" H x 29-3/4" D x 35-1/2" W (124.1cm H x 75.3cm D x 90.2cm W)

- Measurements taken with laptop tray in stored position.
- Measurements taken in lowest panel height position.
- Measurements do not include flat panel.
- See previous page for additional measurements.

**Laptop Tray Compatibility:**

- Top surface measures 14.9" W x 11.1" D (38.0cm W x 28.2cm D)
- Supports a max weight of 7lbs.

**Flat Panel Mounting Stretchers:**

This unit comes with its own VESA compatible flat panel mount.

Supported Screen Size: 30"- 55"

Supported VESA: 100 x 75 (min)

400 x 400 (max)

Max Weight: 80lbs (176.4kg)

**iRover2 Cart for 30-55in Flat Panels with Laptop Tray / Mini PC Mount**

Model: IFP600, IFP650

**Carton Size & Weights:**

	Part No.	Carton Size (outer dimensions)	Weight	Volume (ft <sup>3</sup> )	Dim. Wt. (lbs)
<b>IFP600</b>	IFP600-0	47" H x 26" W x 4-1/2" D (119.4cm H x 66cm W x 11.4cm D)	33lbs	3.54	31
	IFP600-1	40" H x 39" W x 3" D (101.6cm H x 99.1cm W x 7.6cm H)	25lbs	2.71	24
	IFP600-AC	27" H x 7-1/2" W x 16" D (68.6cm H x 19.1cm W x 40.6cm D)	7lbs	2	18

<b>IFP650</b>	IFP600-0	47" H x 26" W x 4-1/2" D (119.4cm H x 66cm W x 11.4cm D)	33lbs	3.54	31
	IFP600-1	40" H x 39" W x 3" D (101.6cm H x 99.1cm W x 7.6cm H)	25lbs	2.71	24
	IFP650-AC	25-1/2" H x 19" W x 5-1/2" D (64.8cm H x 48.3cm W x 14cm D)	8-1/2lbs	1.72	15

**Copernicus Educational Products**

CANADA: R.R. #3, 8194 County Road 109 | Arthur, ON | N0G 1A0

P 1 800 267 8494 | E info@copernicused.com

Copernicus Educational Products is not responsible for printing errors. Copernicus reserves the right to change or modify pricing and products specifications with or without prior notification. Illustrations and descriptions may not be exactly as shown. No part may be reproduced by any means without prior authorization of Copernicus Educational Products Inc. All rights reserved. 2015 ©