



Assembly Guide

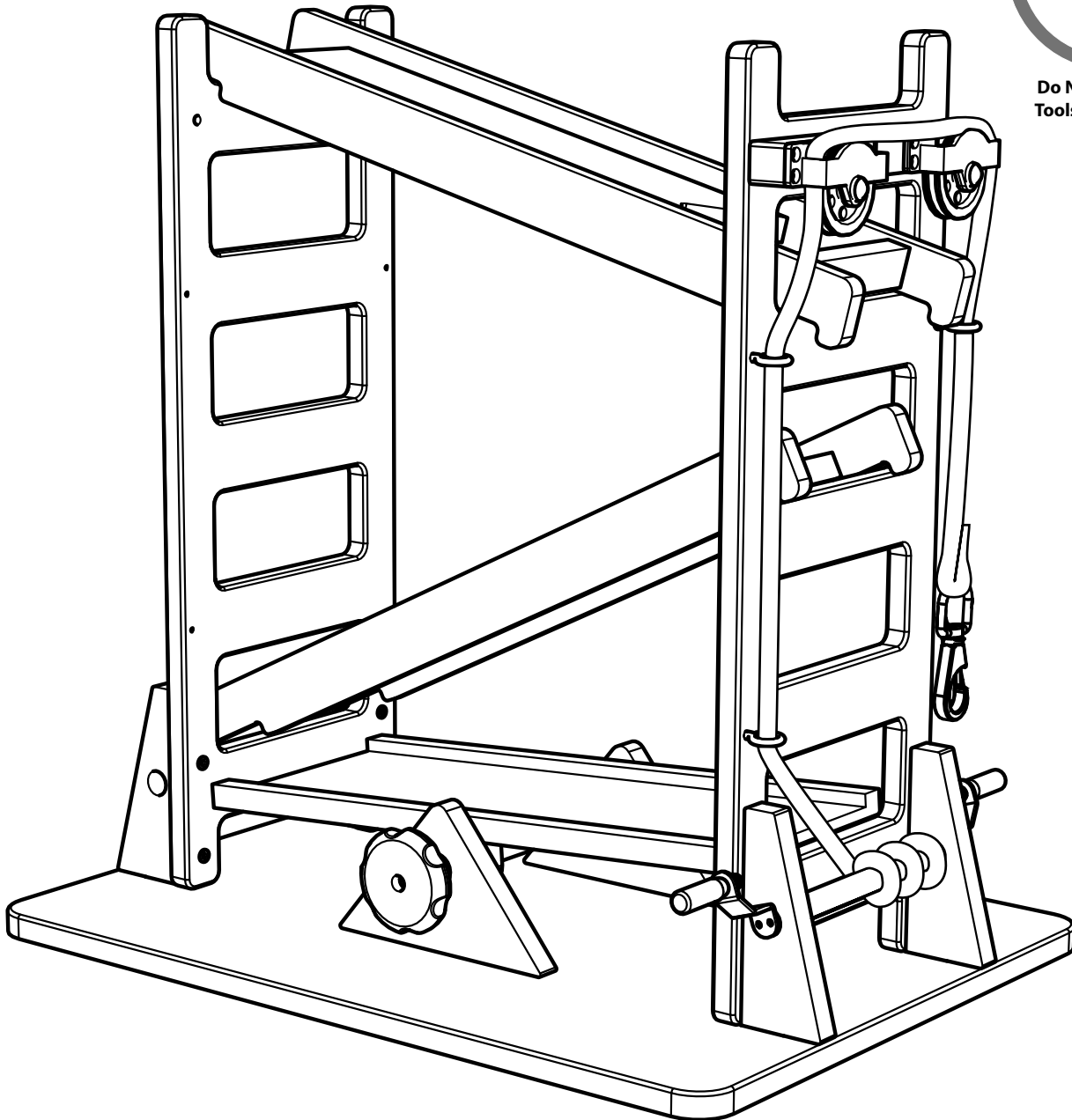
Check out our other products online at www.copernicused.com

For assistance, please contact us by telephone at **1-800-267-8494** or email at info@copernicused.com.

Have your packing slip ready for reference.



**Do Not Use Power
Tools for assembly**



Customer Service & Warranty Information

Dear Educator,

Thank you for purchasing the Simple Machines Play Center. We hope it meets your expectations and you and your students enjoy using it at your school.

Every day we see and hear stories of teachers going above and beyond to help students thrive. Thank you so much for all you do – you are awesome, and you make a difference.

Thank you for inspiring us.

If you have any questions, concerns or ideas on how we can improve please let us know by contacting our Customer Solutions Ninjas at 1-800-267-8494 or info@copernicused.com.

Happy teaching,

Kaylyn Belcourt, President
kaylyn@copernicused.com



We do not inherit the earth from our ancestors, we borrow it from our children.

- NATIVE AMERICAN PROVERB

Change is the end result of all true learning.

- LEO BUSCAGLIA

What you leave behind is not what is engraved in stone monuments, but what is woven into the lives of others.

- PERICLES

Education is the most powerful weapon which you can use to change the world.

- NELSON MANDELA

For missing parts and other issues regarding your product:

Please contact Customer Service, where we will be happy to help.
Telephone: 1-800-267-8494, Monday - Friday 8:00am - 4:30 pm EST
Email: info@copernicused.com

Need Support?
Have a Question?



Email [Customer Service](mailto:info@copernicused.com)

Check out some of our other great products!



www.copernicused.com



Register your Product

Registering your warranty ensures we have all the information we need to make any future warranty claims quick and easy. Please visit www.copernicused.com/warranty and complete the form within 10 business days from product assembly. By registering your product, you will be entered into a draw to win Copernicus product.

Make a Warranty Claim

We offer a Lifetime Warranty on almost everything we make. Please call **1-800-267-8494** or email info@copernicused.com to start your warranty claim. Proof of purchase will be required upon warranty claim (i.e. copy of invoice).

Tips for Assembly

Before You Begin:

- Lay out and identify all of the included parts.
- The hardware has been packed according to step.
- Read the assembly guide over once to familiarize yourself with them.

As You Assemble the Unit:

- Follow the steps in sequence.
- Before beginning each step, find the part(s) that you need for that step.
- The title of each step states what you will be doing. Review the text and the pictures as you build the unit.

Watch for These Helpful Symbols:



2-Person Task

For safety, please have someone help you when working on steps displaying this symbol.



The symbol denotes a step needing extra attention to ensure it is done correctly.



Important Information! Warning!

Please read the warnings below for important safety information regarding your product. Failure to read these warnings or to follow the instructions below could result in personal injury or damage to your product that could void your warranty.



Small Parts

In its unassembled state, this product contains parts that can be hazardous to small children. This product should be assembled by an adult.



Adult Supervision

This product is to be used under the supervision of an adult.



Strangulation Hazard

The cords on this product present a potential strangulation hazard. **Recommended for children 3+ years of age.**



Climb Hazard

Do not climb on, hang from or suspend objects from any components of your product unless otherwise specified.



Do Not Use Power Tools

This product is not intended to be assembled with the use of power tools. Please use specified hand tools only, failure to do so may result in damage to the product.



Bamboo Maintenance

When needed, wipe down with mild soapy water. A mild disinfectant can be used. A mild bleach water solution (1:50) can also be used. Wipe cleaning solution off after application.

Recommended cleaning frequency is once monthly, and at minimum, once per school year.

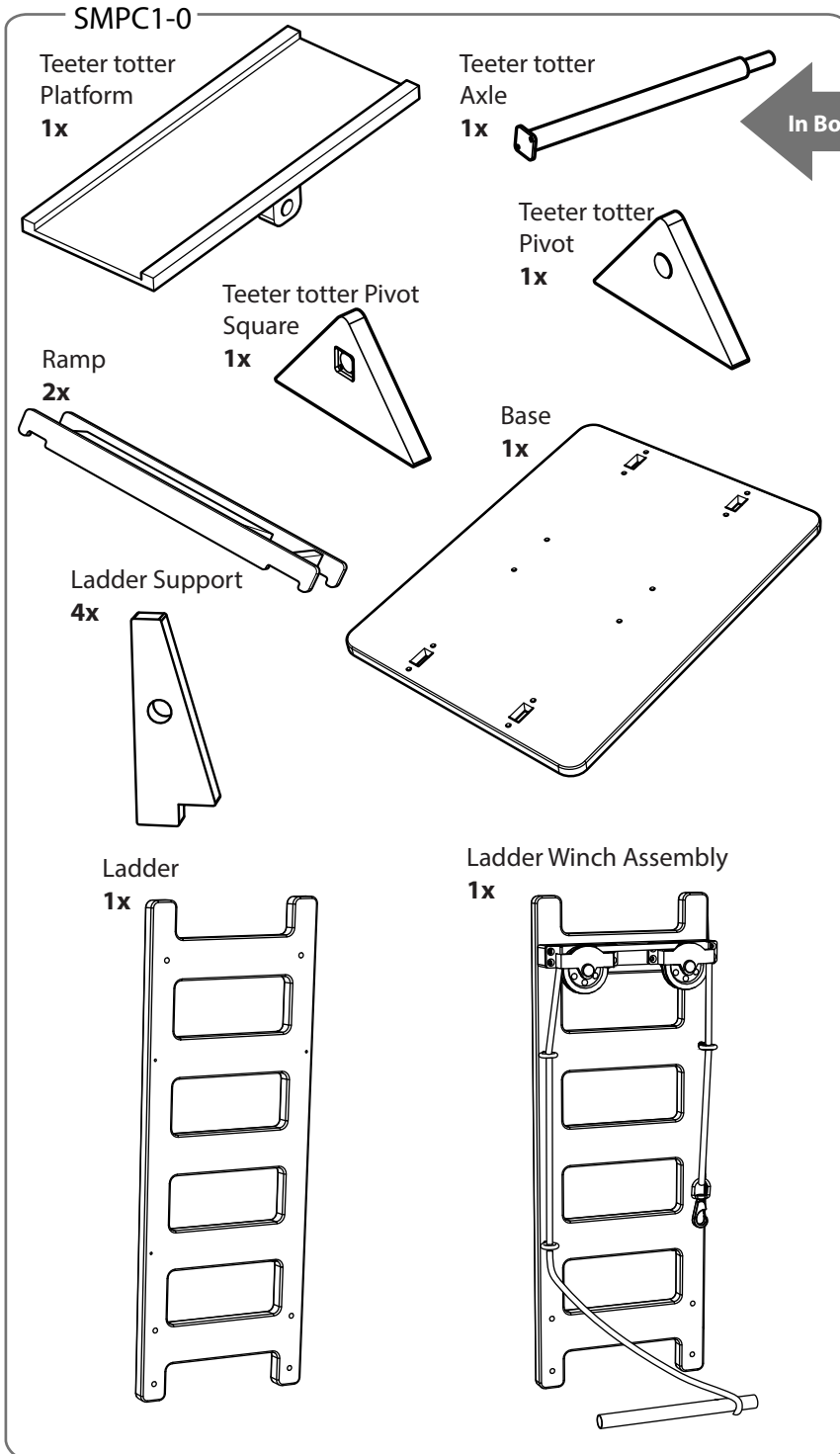
DO NOT leave standing water or cleaning solutions on the bamboo surface.
DO NOT use harsh chemicals to clean surfaces.

Parts






Before beginning, you should have:

Additional tools required:

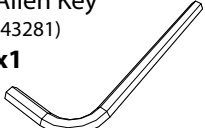
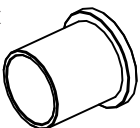
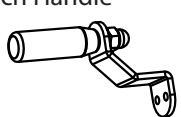
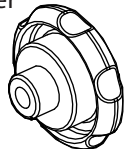
Screwdriver
⊕



Hardware Actual Size

- (A) M7 x 38 Self Tapping Screw (432705) 16x 
- (B) M4 x 10 Screw 4x 
- (C) M4 x 14 Screw 2x 
- (D) Wooden Peg 4x 
- (E) M4 Lock Washer 4x 

Not to Scale

- Allen Key (43281) x1 
- Axle Bushing 3x 
- Winch Handle 2x 
- Teeter totter Handle (432783) 1x 

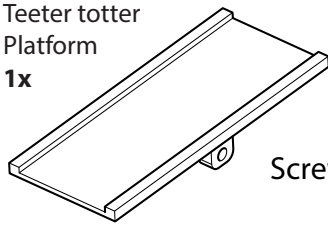
1

Actual Size:

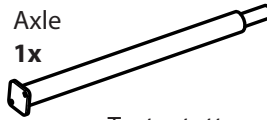


You will need: (Not to Scale)

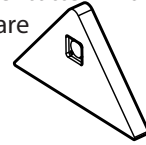
Teeter totter Platform 1x



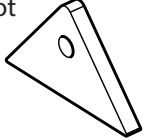
Teeter totter Axle 1x



Teeter totter Pivot Square 1x



Teeter totter Pivot 1x



Teeter totter Handle 1x

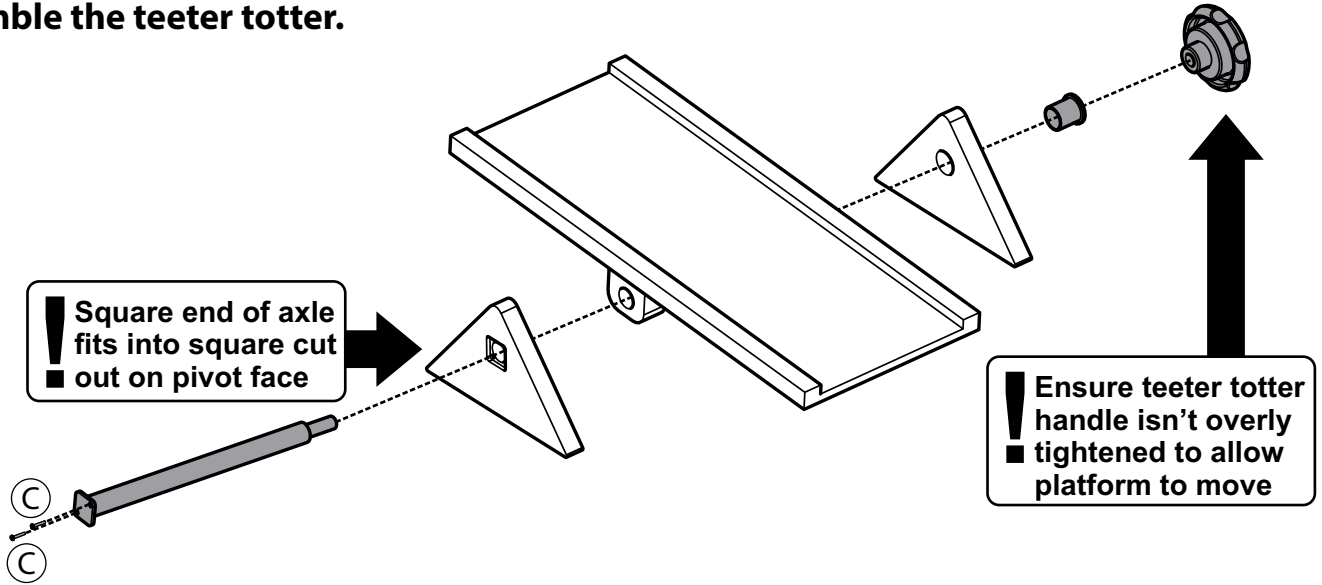


Teeter totter Axle Bushing 1x



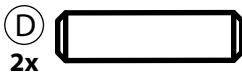
Screwdriver (+)

Assemble the teeter totter.



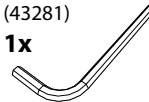
2

Actual Size:



You will need: (Not to Scale)

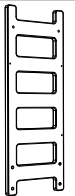
Allen Key (43281) 1x



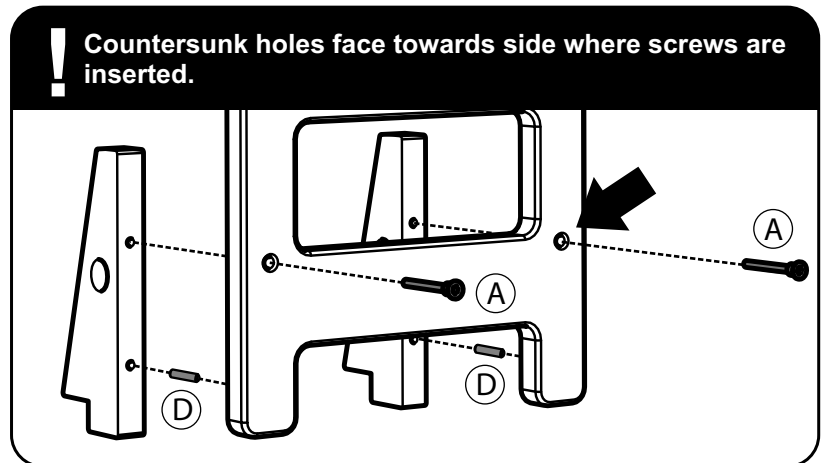
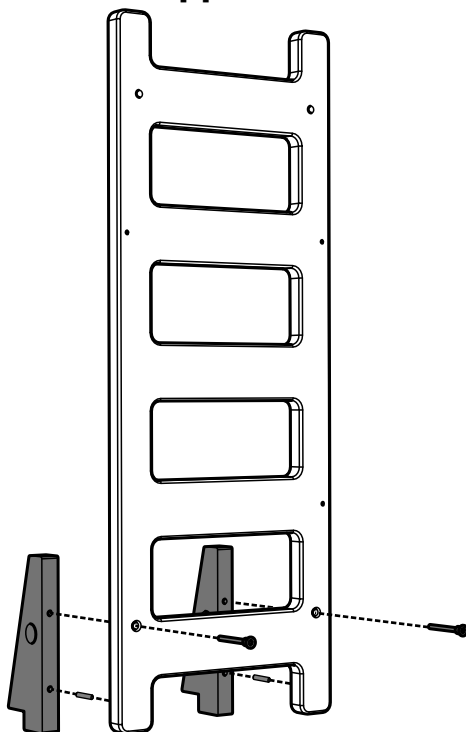
Ladder Support 2x



Ladder 1x



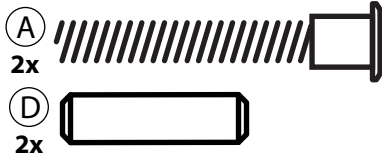
Attach ladder supports to ladder.



5

3

Actual Size:



You will need: (Not to Scale)

Axle Bushing

2x



Ladder Support

2x



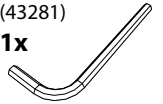
Ladder Winch Assembly

1x



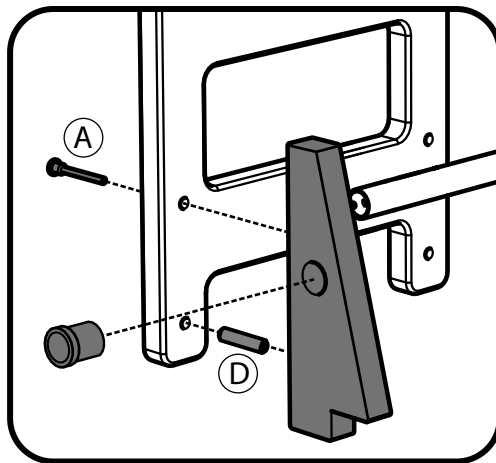
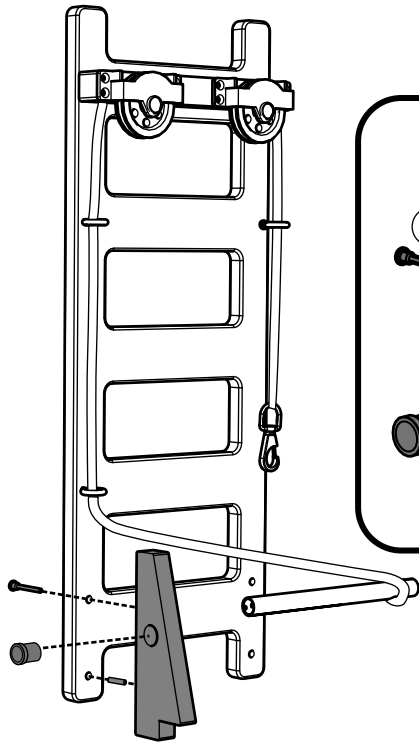
Allen Key (43281)

1x

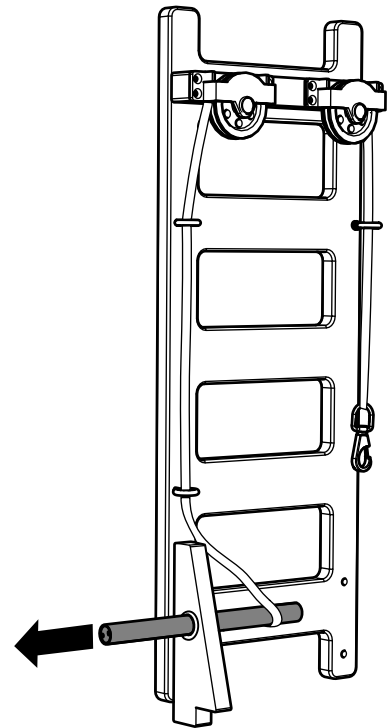


Assemble ladder supports onto winch ladder assembly.

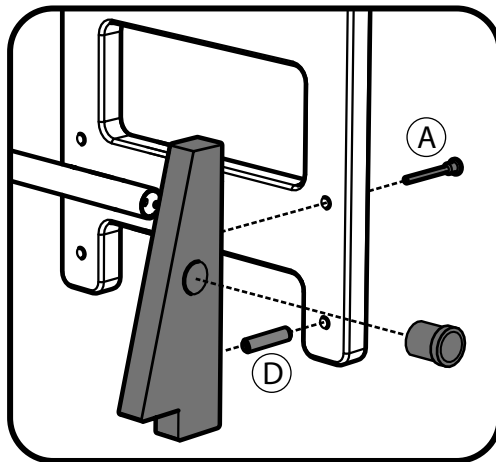
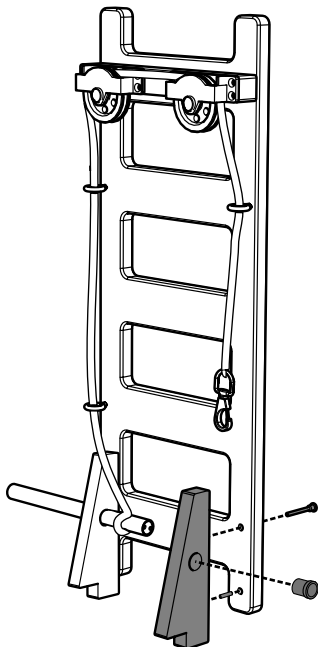
- 1** Attach a ladder support to the **LEFT SIDE** of the winch ladder assembly then insert first axle bushing



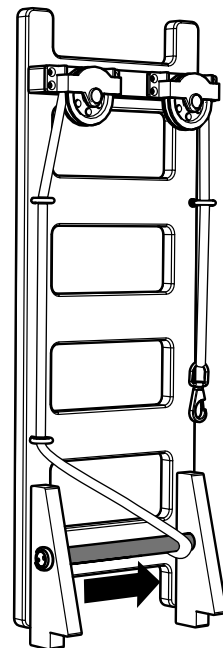
- 2** Slide the axel end furthest from the rope through the axle bushing on the attached ladder support



- 3** Attach the **RIGHT** ladder support to the assembly and insert second axle bushing



- 4** Slide winch axle through the **RIGHT** axle support and axle bushing

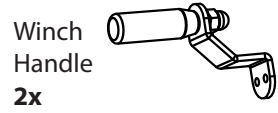


4

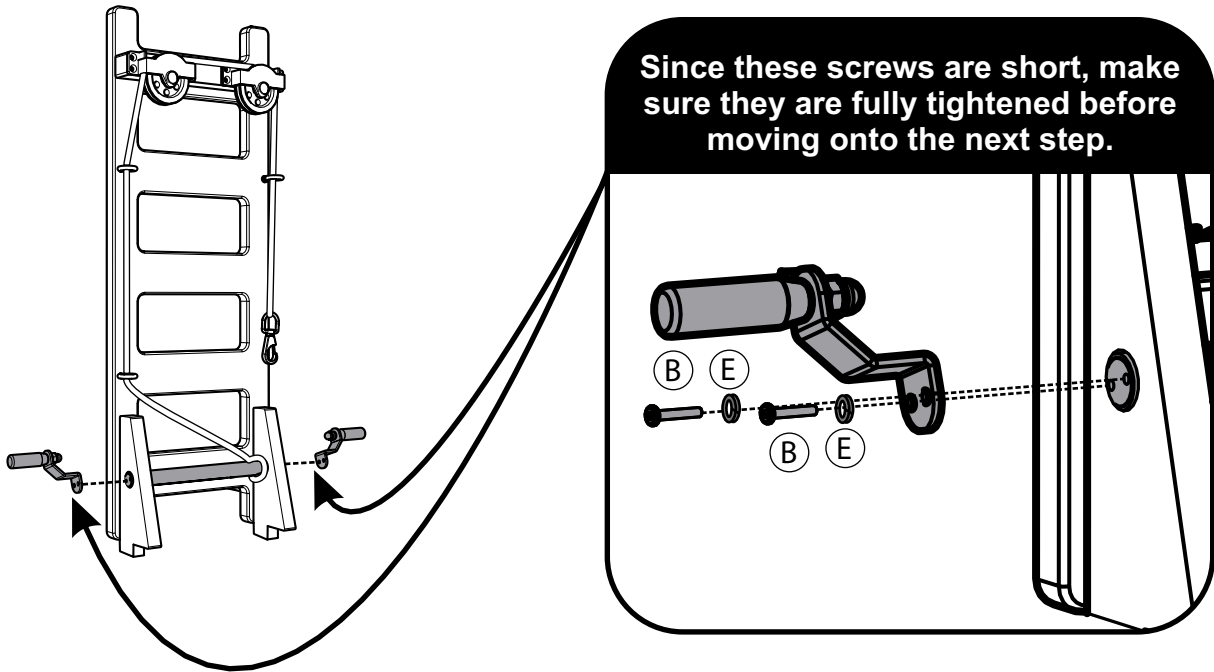
Actual Size:



You will need: (Not to Scale)



Attach handles to each side of winch axle.



5

Actual Size:

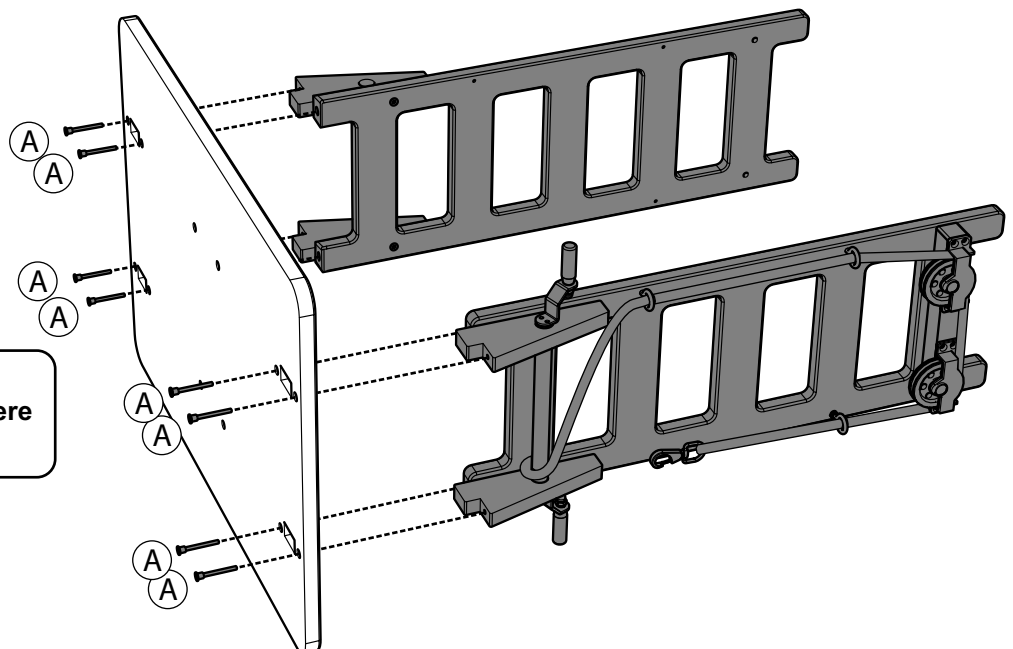


You will need: (Not to Scale)



Slide ladder assemblies into holes on the base and secure with screws.

! Countersunk holes face downwards, towards side where screws are inserted.



6

Actual Size:



You will need: (Not to Scale)

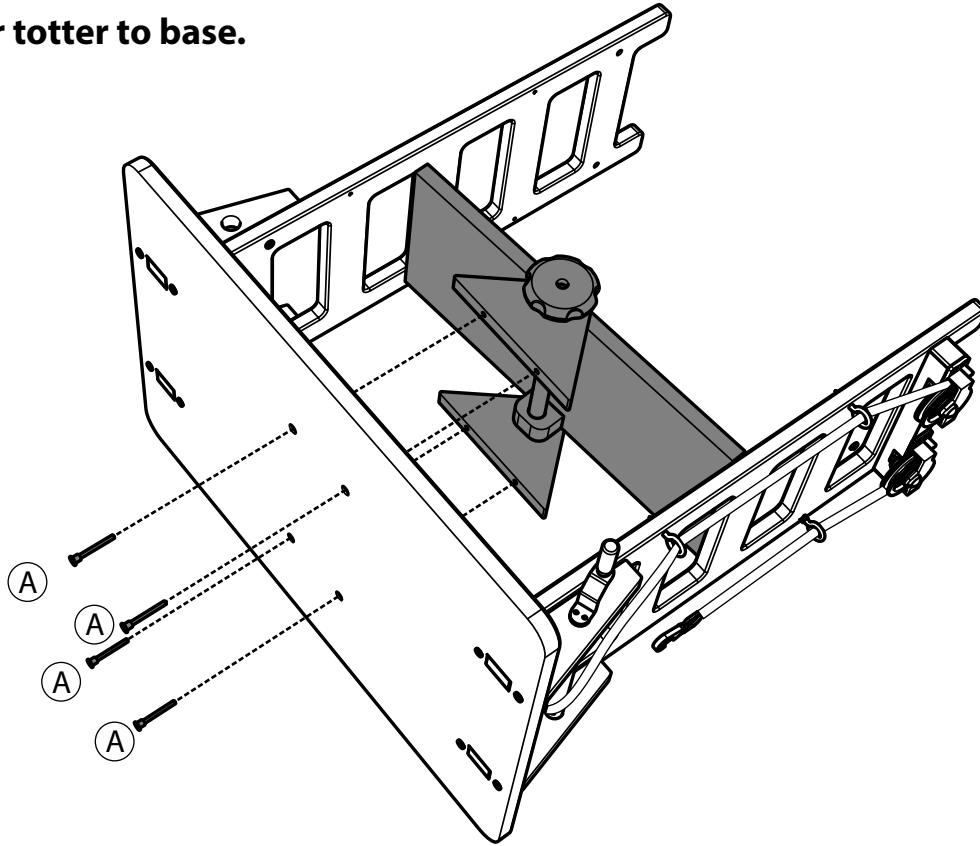
Allen Key

(43281)

1x



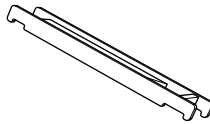
Attach teeter totter to base.



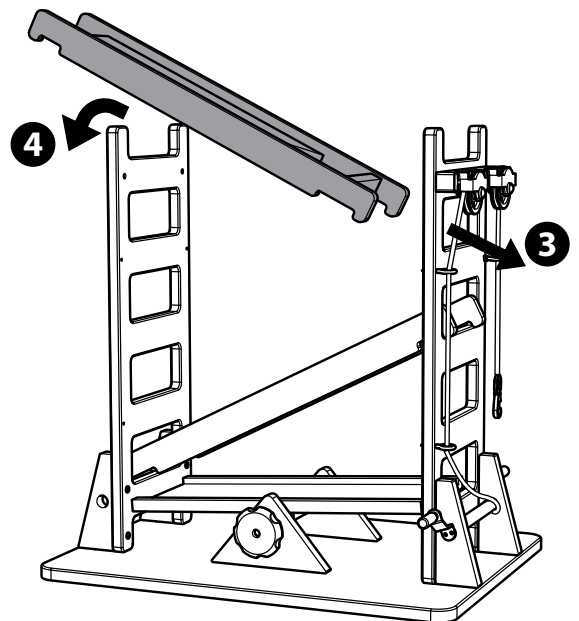
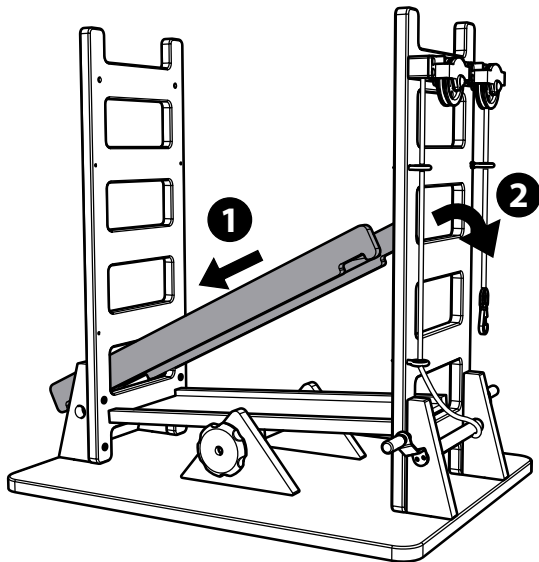
7

You will need: (Not to Scale)

Ramp
2x



Install the ramps.



How to use the Simple Machines Play Center

This product was designed to be used for an open ended learning experience. There is no 'correct way' to discover and explore with the Simple Machines Play Center. Below is a brief explanation of all the moving parts and an example of how a student may use the Simple Machines Play Center.

The ramps can be installed in a variety of ways by either student or teacher. These images show an example. Allow the class to explore and set up the ramps as they wish!

