

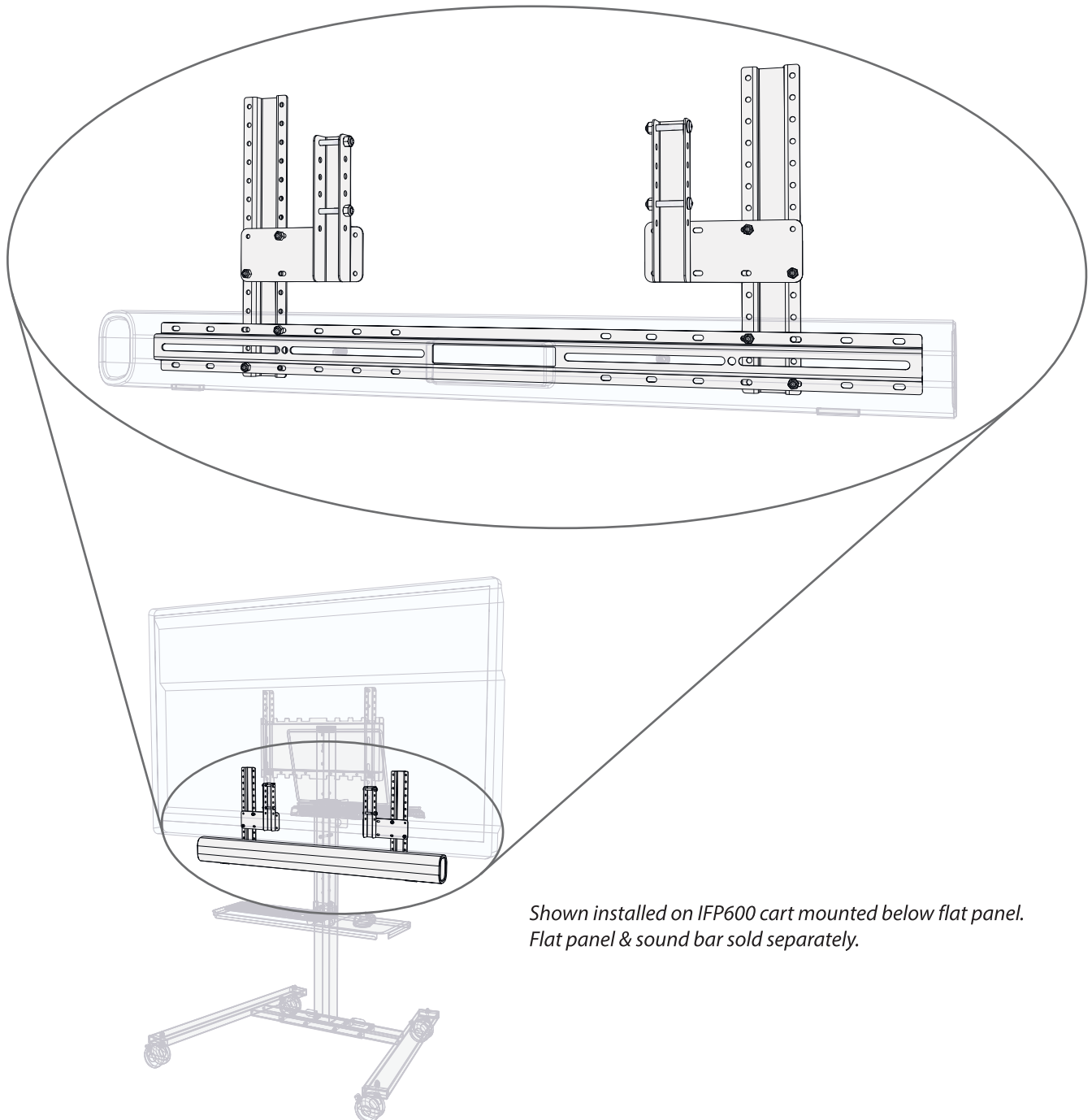


Assembly Guide

Check out our other products online at www.copernicused.com

For assistance, please contact us by telephone at **1-800-267-8494** or email at info@copernicused.com.

Have your packing slip ready for reference.



*Shown installed on IFP600 cart mounted below flat panel.
Flat panel & sound bar sold separately.*



Customer Service & Warranty Information

Dear Educator,

Thank you for purchasing the Sound Bar Mount for iRover2® Cart for 30-55" Flat Panels. We hope it meets your expectations and you and your students enjoy using it at your school.

Every day we see and hear stories of teachers going above and beyond to help students thrive. Thank you so much for all you do – you are awesome, and you make a difference.

Thank you for inspiring us.

If you have any questions, concerns or ideas on how we can improve please let us know by contacting our Customer Solutions Ninjas at 1-800-267-8494 or info@copernicused.com.

Happy teaching,

Kaylyn Belcourt, President
kaylyn@copernicused.com



We do not inherit the earth from our ancestors, we borrow it from our children.

- NATIVE AMERICAN PROVERB

Change is the end result of all true learning.

- LEO BUSCAGLIA

What you leave behind is not what is engraved in stone monuments, but what is woven into the lives of others.

- PERICLES

Education is the most powerful weapon which you can use to change the world.

- NELSON MANDELA

For missing parts and other issues regarding your product:

Please contact Customer Service, where we will be happy to help.
Telephone: 1-800-267-8494, Monday - Friday 8:00am - 4:30 pm EST
Email: info@copernicused.com

**Need Support?
Have a Question?**



[Email Customer Service](mailto:info@copernicused.com)

**Check out some of our
other great products!**



www.copernicused.com

Lifetime
All Components
Warranty

Register your Product

Registering your warranty ensures we have all the information we need to make any future warranty claims quick and easy. Please visit www.copernicused.com/warranty and complete the form within 10 business days from product assembly. By registering your product, you will be entered into a draw to win Copernicus product.

Make a Warranty Claim

We offer a Lifetime Warranty on almost everything we make. Please call 1-800-267-8494 or email info@copernicused.com to start your warranty claim. Proof of purchase will be required upon warranty claim (i.e. copy of invoice).

Tips for Assembly

Before You Begin:

- Lay out and identify all of the included parts.
- The hardware has been packed between both boxes.
- Read the assembly guide over once to familiarize yourself with them.

As You Assemble the Unit:

- Follow the steps in sequence.
- Before beginning each step, find the part(s) that you need for that step.
- The title of each step states what you will be doing. Review the text and the pictures as you build the unit.

Watch for These Helpful Symbols:



2-Person Task

For safety, please have someone help you when working on steps displaying this symbol.



The symbol denotes a step needing extra attention to ensure it is done correctly.



Important Information! Warning!

Please read the warnings below for important safety information regarding your product. Failure to read these warnings or to follow the instructions below could result in personal injury or damage to your product that could void your warranty.



Small Parts

In its unassembled state, this product contains parts that can be hazardous to small children. This product should be assembled by an adult.



Adult Supervision

This product is to be used under the supervision of an adult.



No Maintenance

This product does **NOT** require maintenance. Repairs should only be performed by authorized personnel. Please contact customer service if repairs are required.



Climb Hazard

Do not climb on, hang from or suspend objects from any components of your product unless otherwise specified.



Indoor Use Only

This product is intended for indoor commercial use only. To reduce the risk of fire or electric shock, do not expose this product to rain or moisture. The internal components are not sealed from the environment.



Electronic Equipment

Read the electrical specifications of any electronic equipment you are using with your Copernicus products. Failure to read these specifications and follow their instructions could result in damage to your equipment or personal injury.



Cable Trip Hazard

Ensure that any cables extending across the floor to your product are properly bundled and marked to avoid tripping or falling which may lead to personal injury.



Electrical Shock

Do not install or use the electrical components of this unit during a lightning storm.

Parts

Before beginning, you should have:

Additional tools required:

Adjustable
Wrench (1x)



OR

3/8" Wrench (1x),
7/16" Wrench (1x)

+

Screwdriver



Phillips #2 or #3

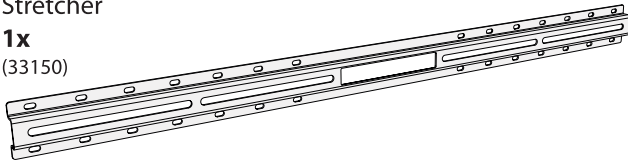
+



Ruler/Tape Measure (1x)

IFP-ACS2


Stretcher
1x
(33150)




Upright
2x
(331521)




(A) #10-24 x 1/2" Screw
4x
(43013)



(C) #10-24" Lock Washer
4x
(4301002)




(E) 1/4" Flat Washer
2x
(43019)




(B) #10-24 x 1/2" Screw
Self Tapping
4x
(4302012)



(D) 1/4" Lock Washer
2x
(43010)



(F) 10-24 Lock Nut
4x
(430165)



Metric hardware for mounting sound bar

(G) M5 x 10mm Screw
2x
(4321321)




(H) M5 x 15mm Screw
2x
(4321322)



(I) M6 x 10mm Screw
2x
(4321403)

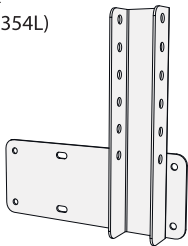


(J) M6 x 15mm Screw
2x
(43215)

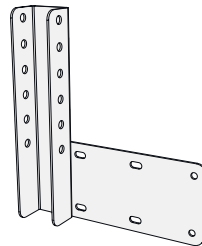


IFP6-SBM-0

Adapter Bracket - Left Side
1x
(32354L)



Adapter Bracket - Right Side
1x
(32354R)




(M) #10-24 x 1/2" Screw
4x
(43013)




(K) 1/4-20" x 1-3/4" Screw
4x
(43007)



(L) 1/4-20" Lock Nut
4x
(430101)



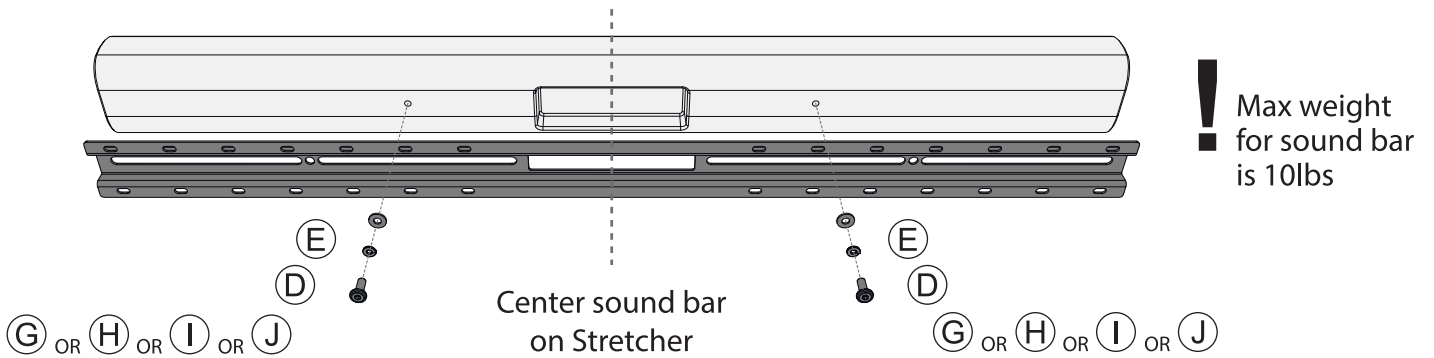
(N) 10-24 Lock Nut
4x
(430165)



1	<p>Actual Size:</p> <p>D 2x E 2x G 2x H 2x I 2x J 2x</p> <p>M5x10mm M5x15mm M6x10mm M6x15mm</p>
	<p>You will need: (Not to Scale)</p> <p style="text-align: right;">Stretcher 1x</p>

Secure Sound Bar to Stretcher

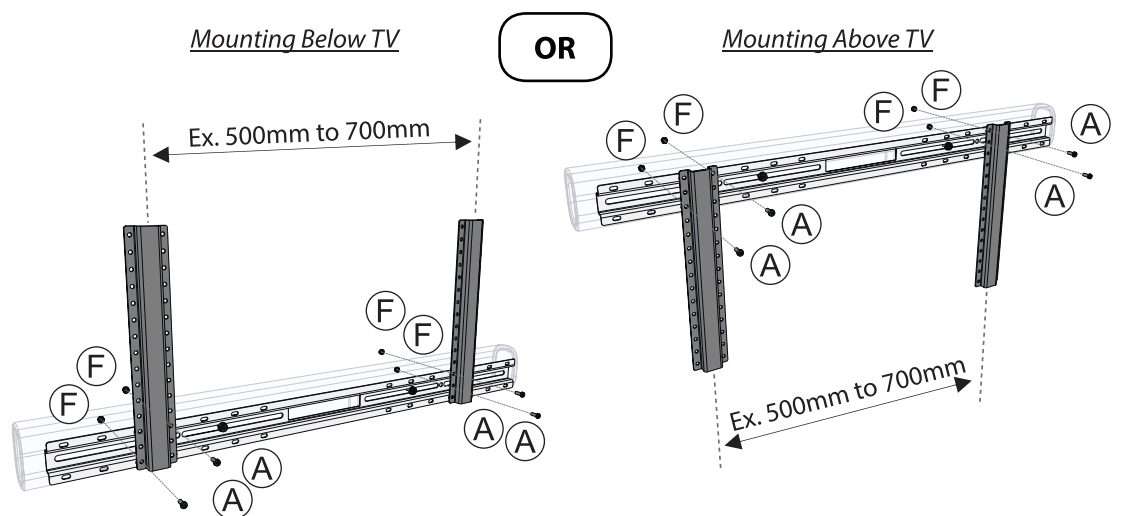
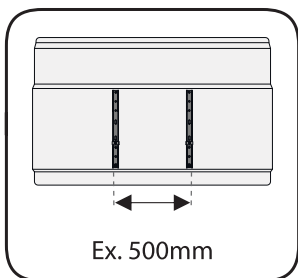
- ! Check your sound bar owners manual to determine what type of threads it uses.
- Using the supplied hardware choose the correct screws to secure sound bar to Stretcher.



2	<p>Actual Size:</p> <p>A 4x F 4x</p>
	<p>You will need: (Not to Scale)</p> <p style="text-align: right;">Upright 2x</p>

Attach Uprights to Stretcher

- 1 Determine your flat panel VESA spacing.
- 2 Decide if mounting above or below flat panel.
- 3 Space uprights apart the same distance or up to 200mm bigger and secure.

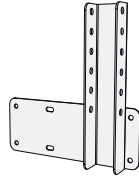


3

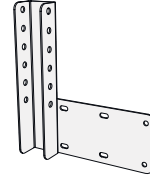
Actual Size:



You will need: (Not to Scale)



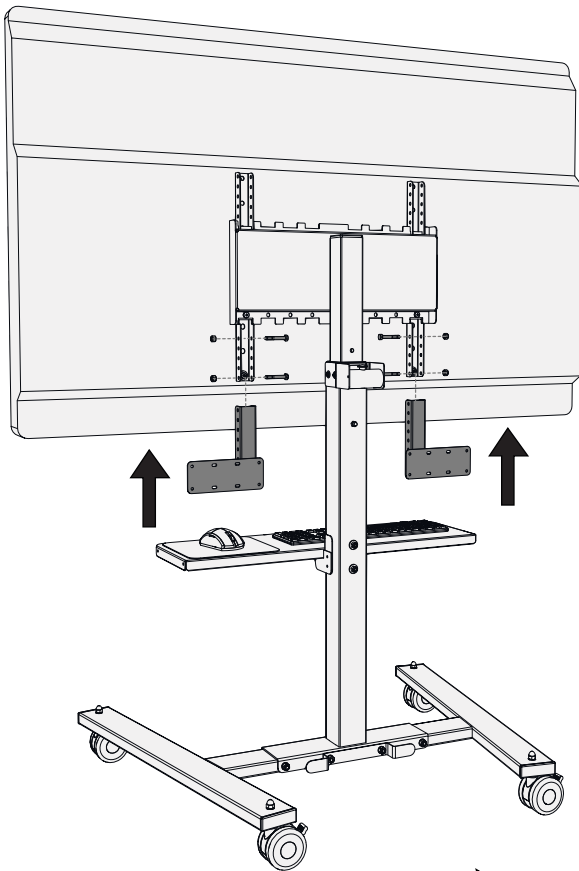
Left Adapter Bracket
1x



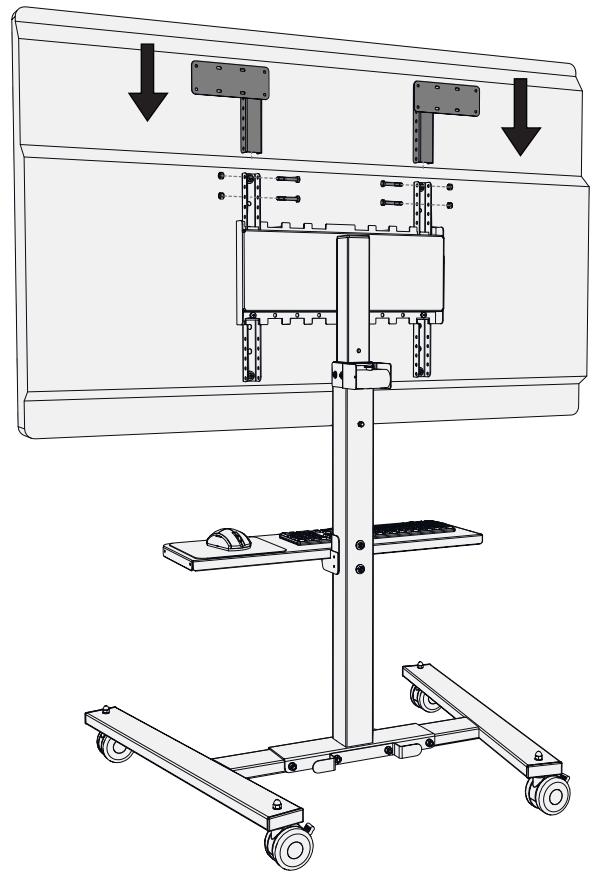
Right Adapter Bracket
1x

Attach Adapter Brackets to TV Mount

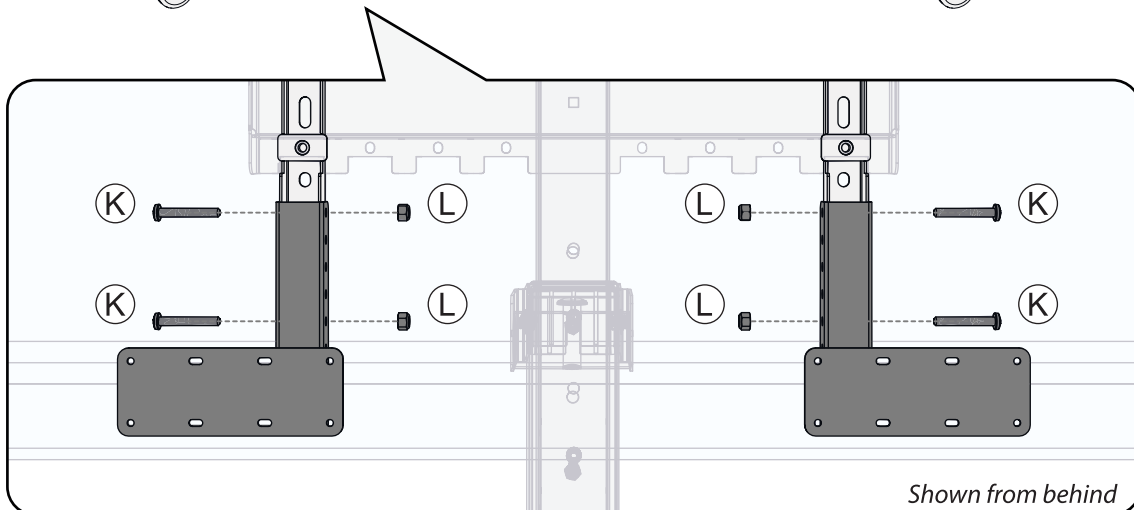
Mounting Below TV



Mounting Above TV



OR



4



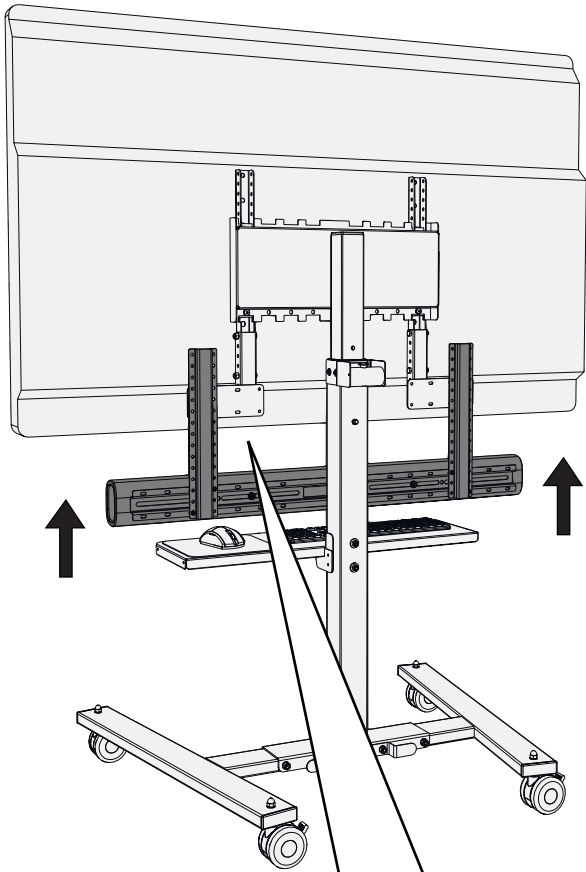
Actual Size:



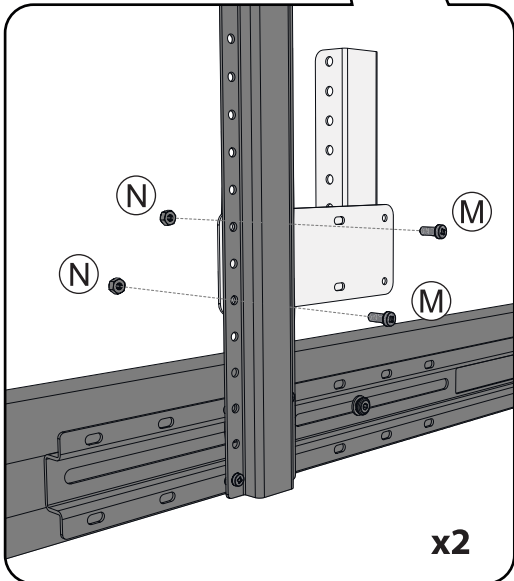
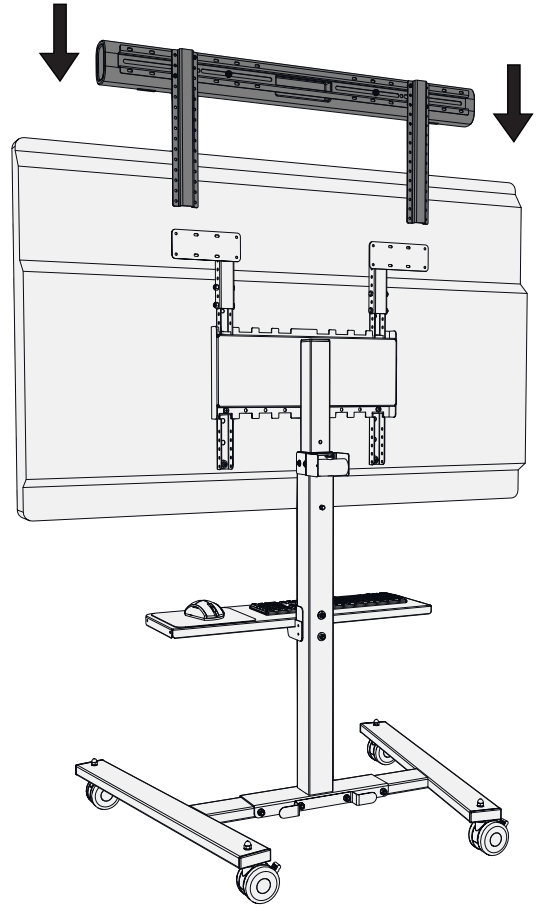
Attach Sound Bar

Mounting Below TV

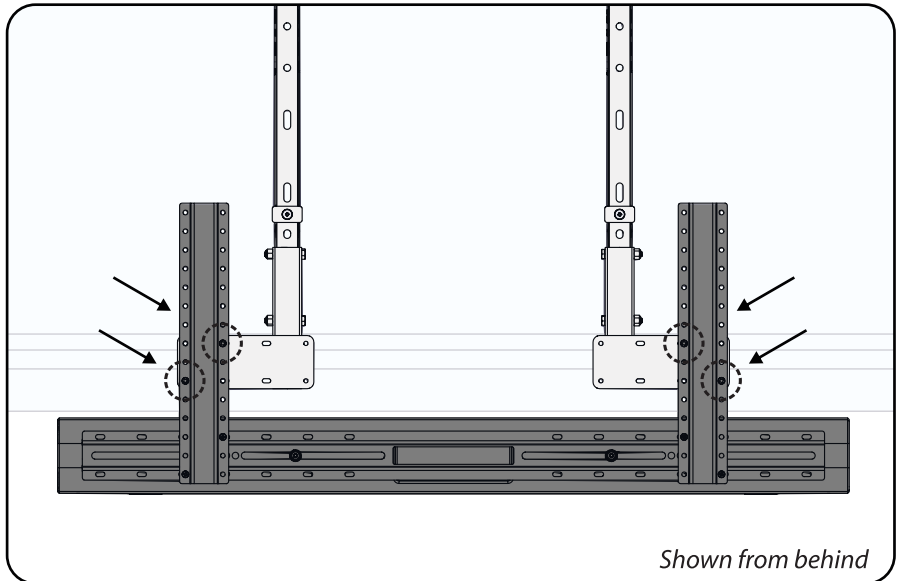
Mounting Above TV



OR



x2



Shown from behind