

TEC600C, TEC600C-8,
TEC601C, TEC601C-8

Tech Tub[®] for 6 Devices

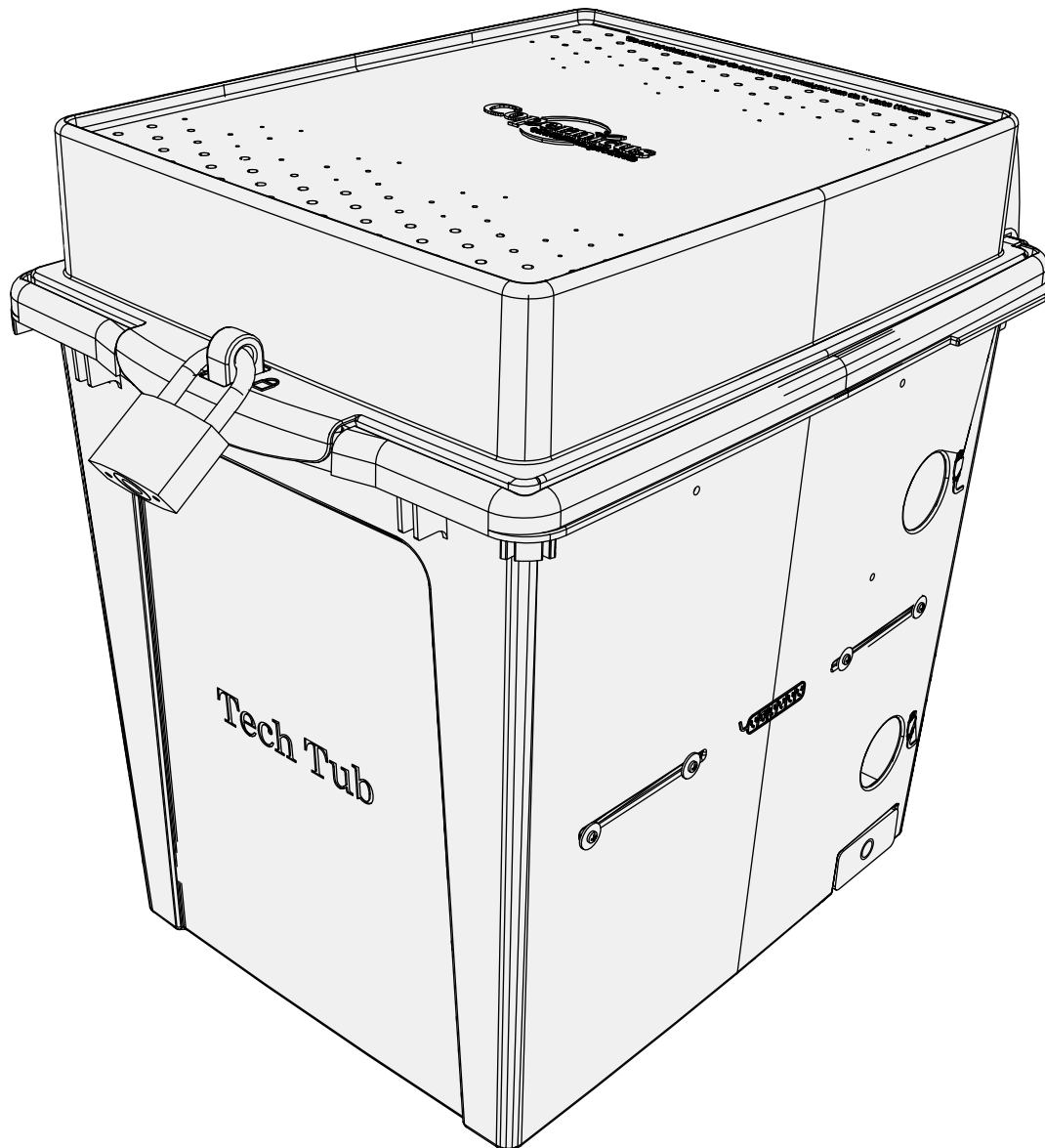


Assembly Guide

Check out our other products online at www.copernicused.com

For assistance, please contact us by telephone at 1-800-267-8494 or email at info@copernicused.com.

Have your packing slip ready for reference.



Please Recycle

Version F - Released August 20, 2024 - Copernicus Educational Products Inc.

Customer Service & Warranty Information

Dear Educator,

Thank you for purchasing the Tech Tub[®]. We hope it meets your expectations and you and your students enjoy using it at your school.

Every day we see and hear stories of teachers going above and beyond to help students thrive. Thank you so much for all you do – you are awesome, and you make a difference.

Thank you for inspiring us.

If you have any questions, concerns or ideas on how we can improve please let us know by contacting our Customer Solutions Ninjas at 1-800-267-8494 or info@copernicused.com.

Happy teaching,

Kaylyn Belcourt, President
kaylyn@copernicused.com



We do not inherit the earth from our ancestors, we borrow it from our children.

- NATIVE AMERICAN PROVERB

Change is the end result of all true learning.

- LEO BUSCAGLIA

What you leave behind is not what is engraved in stone monuments, but what is woven into the lives of others.

- PERICLES

Education is the most powerful weapon which you can use to change the world.

- NELSON MANDELA

For missing parts and other issues regarding your product: Please contact Customer Service, where we will be happy to help. Telephone: 1-800-267-8494, Monday - Friday 8:00am - 4:30 pm EST Email: info@copernicused.com

My iPad/Chromebook isn't working, who should I call? Please contact the reseller that you bought the device from. Reseller information can be found on your packing slip.

**Need Support?
Have a Question?**



[Email Customer Service](mailto:info@copernicused.com)

**Check out some of our
other great products!**



www.copernicused.com

Lifetime
All Components
Warranty

Register your Product

Registering your warranty ensures we have all the information we need to make any future warranty claims quick and easy. Please visit www.copernicused.com/warranty and complete the form within 10 business days from product assembly. By registering your product, you will be entered into a draw to win Copernicus product.

Make a Warranty Claim

We offer a Lifetime Warranty on almost everything we make. Please call 1-800-267-8494 or email info@copernicused.com to start your warranty claim. Proof of purchase will be required upon warranty claim (i.e. copy of invoice).

Tips for Assembly

Before You Begin:

- Lay out and identify all of the included parts.
- The hardware has been packed according to step
- Read the assembly guide over once to familiarize yourself with them.

As You Assemble the Unit:

- Follow the steps in sequence.
- Before beginning each step, find the part(s) that you need for that step.
- The title of each step states what you will be doing. Review the text and the pictures as you build the unit.

Watch for These Helpful Symbols:



2-Person Task

For safety, please have someone help you when working on steps displaying this symbol.



The symbol denotes a step needing extra attention to ensure it is done correctly.



Important Information! Warning!

Please read the warnings below for important safety information regarding your product. Failure to read these warnings or to follow the instructions below could result in personal injury or damage to your product that could void your warranty.



Small Parts

In its unassembled state, this product contains parts that can be hazardous to small children. This product should be assembled by an adult.



Adult Supervision

This product is to be used under the supervision of an adult.



No Maintenance

This product does NOT require maintenance. Repairs should only be performed by authorized personnel. Please contact customer service if repairs are required.



Indoor Use Only

This product is intended for indoor commercial use only. To reduce the risk of fire or electric shock, do not expose this product to rain or moisture. The internal components are not sealed from the environment.



Power Strip Specifications

Read your power strip electrical specifications. Only plug in devices that are approved for use with this power strip. Connect the supplied power strip directly to a wall outlet. Do not connect to another power strip or use an extension cord. Turn off power strip before unplugging. Unplug when not in use.



Electronic Equipment

Read the electrical specifications of any electronic equipment you are using with your Copernicus products. Failure to read these specifications and follow their instructions could result in damage to your equipment or personal injury.



Cable Trip Hazard

Ensure that any cables extending across the floor to your product are properly bundled and marked to avoid tripping or falling which may lead to personal injury.



Electrical Shock

Do not install or use the electrical components of this unit during a lightning storm.

Before beginning, you should have:

Additional tools required:



Adjustable wrench x2

OR

11mm Wrench x2

Tools Included:

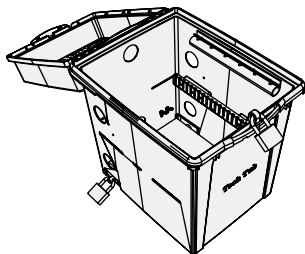
Allen Key 4mm
1x



TEC600C

Tech Tub® Premium - 6 Devices

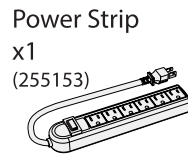
Contents - Box 1



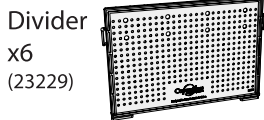
Tech Tub®
x1



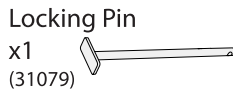
Hook & Loop Straps
x6



Power Strip
x1
(255153)



Divider
x6
(23229)



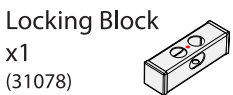
Locking Pin
x1
(31079)



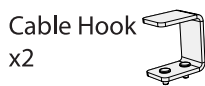
Padlock
x2



Power Strip Bracket
x2
(232281)



Locking Block
x1
(31078)



Cable Hook
x2



Key
x6

Hardware (Actual Size)

A

M4 Wing Nut
x8



B

M4 Lock Washer
x8



C

M4 x 14mm
Carriage Screw
x4



D

M4 Flat Washer
x4



E

M6 Washer
x6



F

M6 Lock Nut
x2



G

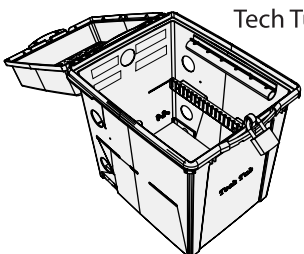
M6 x 70mm Screw
x2



TEC601C

Tech Tub® Standard - 6 Devices

Contents - Box 1



Tech Tub®
x1

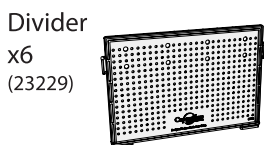
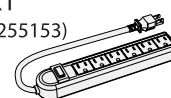


Cable Hook
x2



Hook & Loop Straps
x6

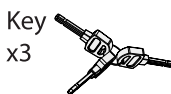
Power Strip
x1
(255153)



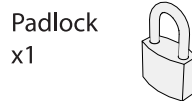
Divider
x6
(23229)



Power Strip Bracket
x2
(232281)



Key
x3



Padlock
x1

Hardware (Actual Size)

A

M4 Wing Nut
x8



B

M4 Lock Washer
x8



C

M4 x 14mm
Carriage Screw
x4



D

M4 Flat Washer
x4



Before beginning, you should have:

Additional tools required:



Adjustable wrench x2

OR

11mm Wrench x2

Tools Included:

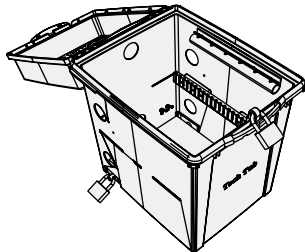
Allen Key 4mm
1x



TEC600C-8

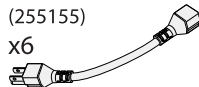
Tech Tub® Premium - 6 Devices with Large Power Adapters

Contents - Box 1

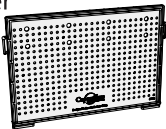


Tech Tub®
x1

Adapter extension cables
(255155)
x6



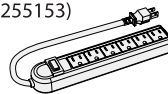
Divider
x6
(23229)



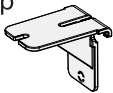
Hook & Loop Straps
x6



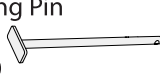
Power Strip
x1
(255153)



Power Strip Bracket
x2
(232281)



Locking Pin
x1
(31079)



Padlock
x2



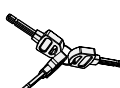
Locking Block
x1
(31078)



Cable Hook
x2



Key
x6



In Box 1

Hardware (Actual Size)

(A)

M4 Wing Nut
x8



(B)

M4 Lock Washer
x8



(C)

M4 x 14mm
Carriage Screw
x4



(D)

M4 Flat Washer
x4



(E)

M6 Washer
x6



(F)

M6 Lock Nut
x2



(G)

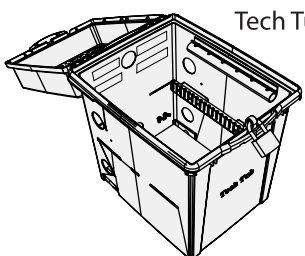
M6 x 70mm Screw
x2



TEC601C-8

Tech Tub® Standard - 6 Devices with Large Power Adapters

Contents - Box 1

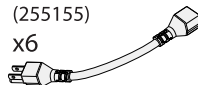


Tech Tub®
x1

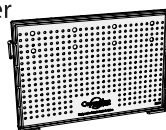
Cable Hook
x2



Adapter extension cables
(255155)
x6



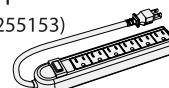
Divider
x6
(23229)



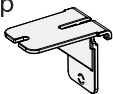
Hook & Loop Straps
x6



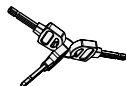
Power Strip
x1
(255153)



Power Strip Bracket
x2
(232281)



Key
x3



Padlock
x1



In Box 1

Hardware (Actual Size)

(A)

M4 Wing Nut
x8



(B)

M4 Lock Washer
x8



(C)

M4 x 14mm
Carriage Screw
x4



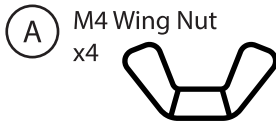
(D)

M4 Flat Washer
x4

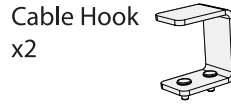


1

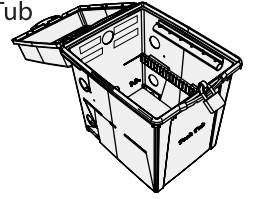
Actual Size:



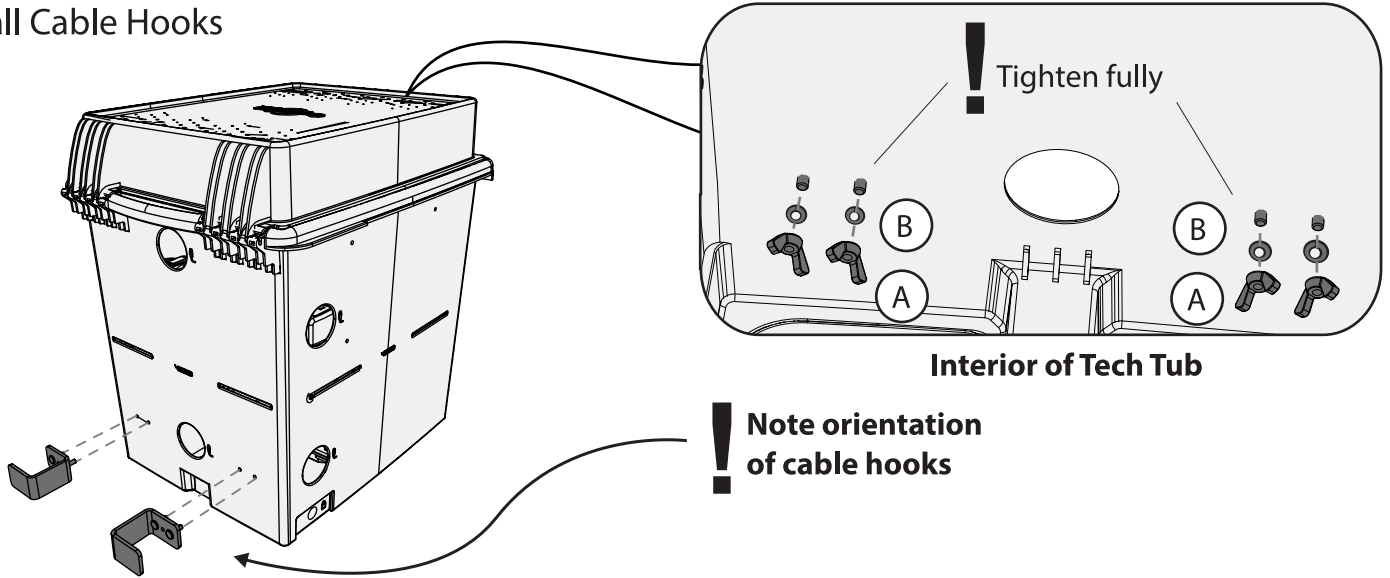
You will need: (Not to Scale)



Tech Tub[®] x1

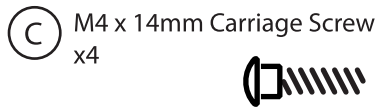
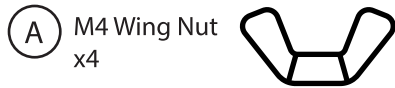


Install Cable Hooks

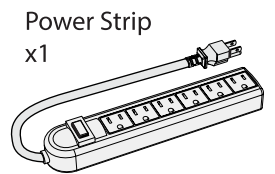
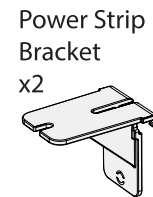


2

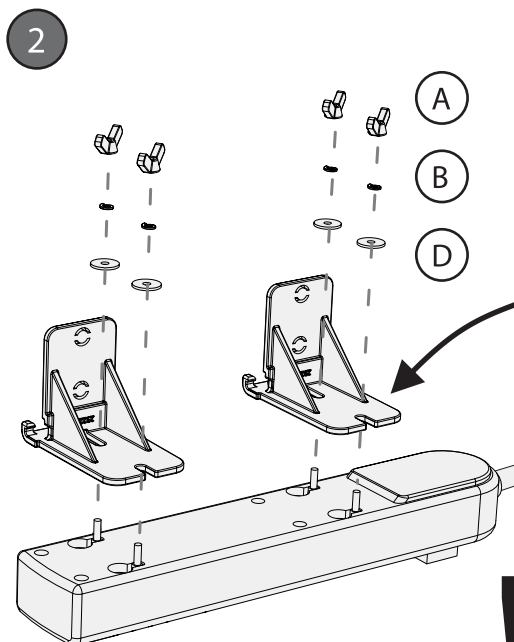
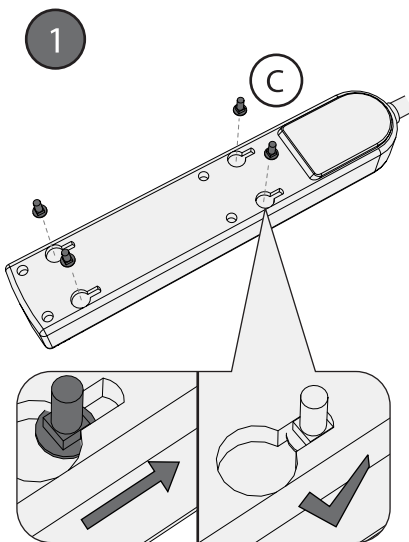
Actual Size:



You will need: (Not to Scale)

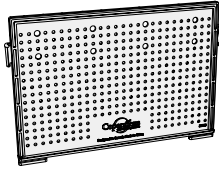


Install Carriage Bolts on Power Strip and Mount to Power Strip Brackets



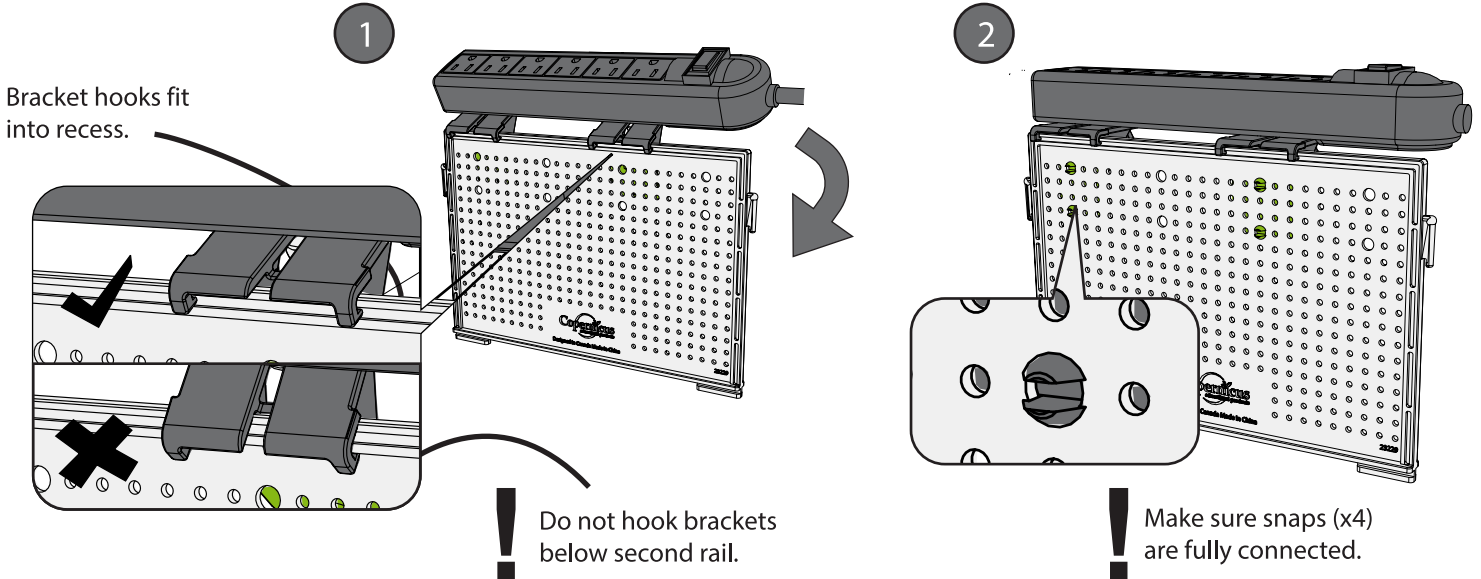
3

You will need: (Not to Scale)



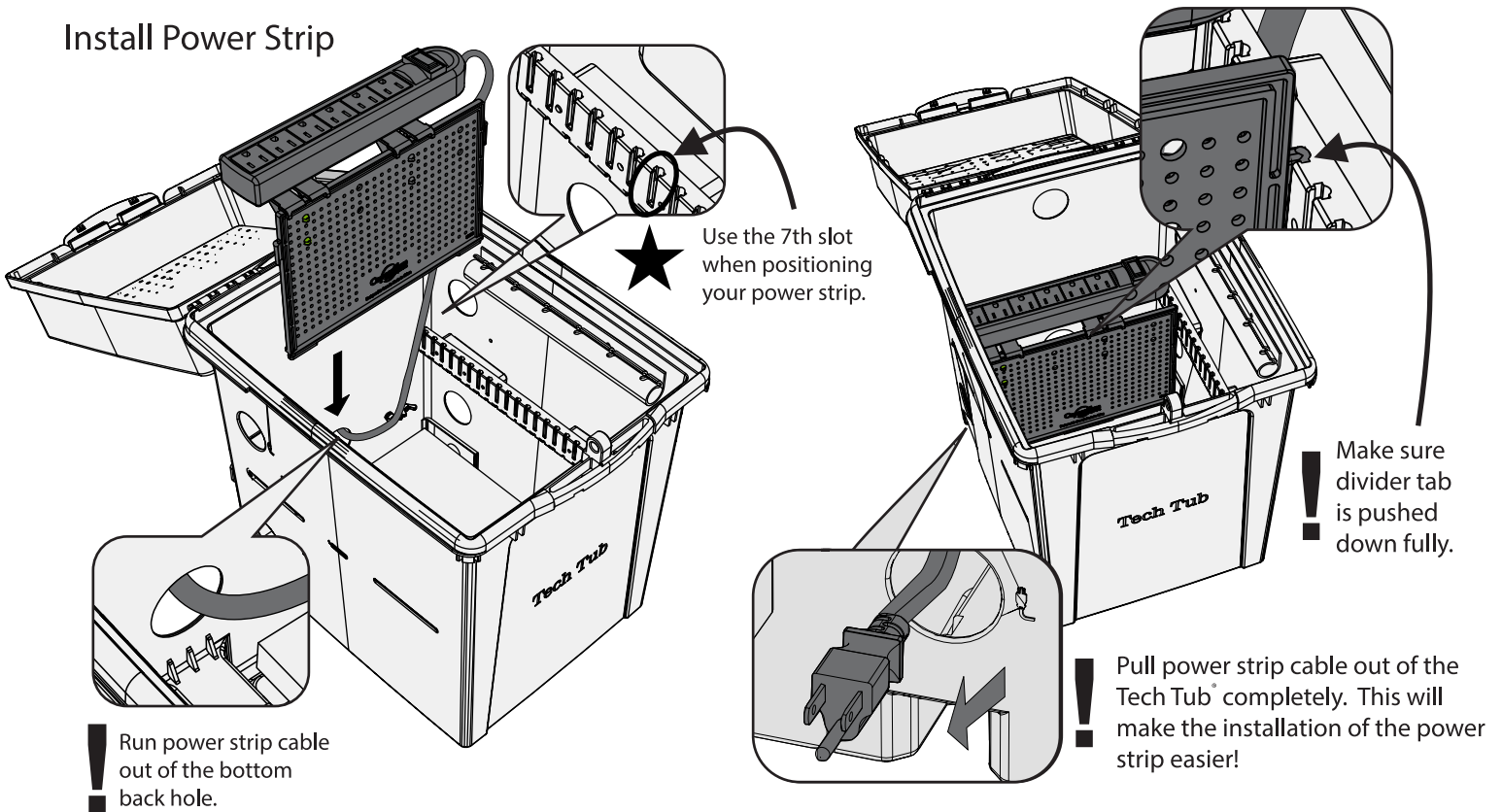
Divider
x1

Assemble Power Strip on Divider



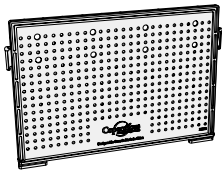
4

Install Power Strip



5

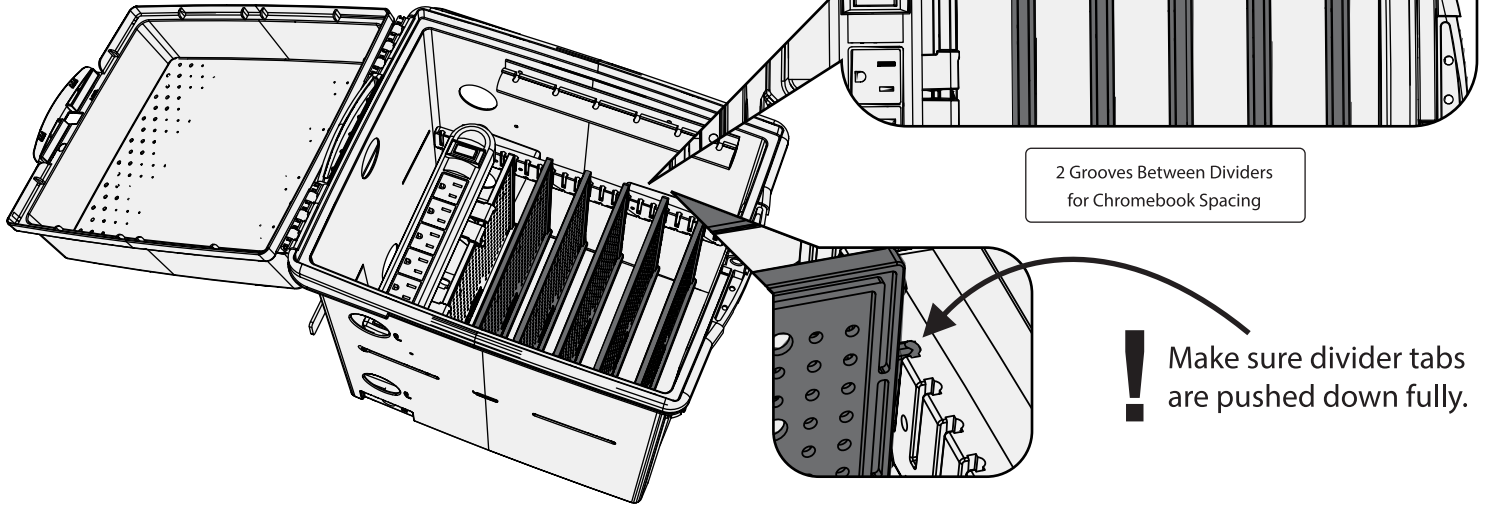
You will need: (Not to Scale)



Divider
x5

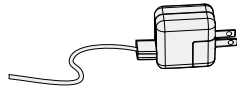
Install Dividers

Space dividers according to device size. Use the narrowest spacing to minimize your device's movement during transport. Leave extra room if you have a case!



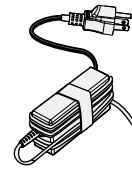
6A
TEC600C
TEC601C
ONLY

You will need: (Not to Scale)



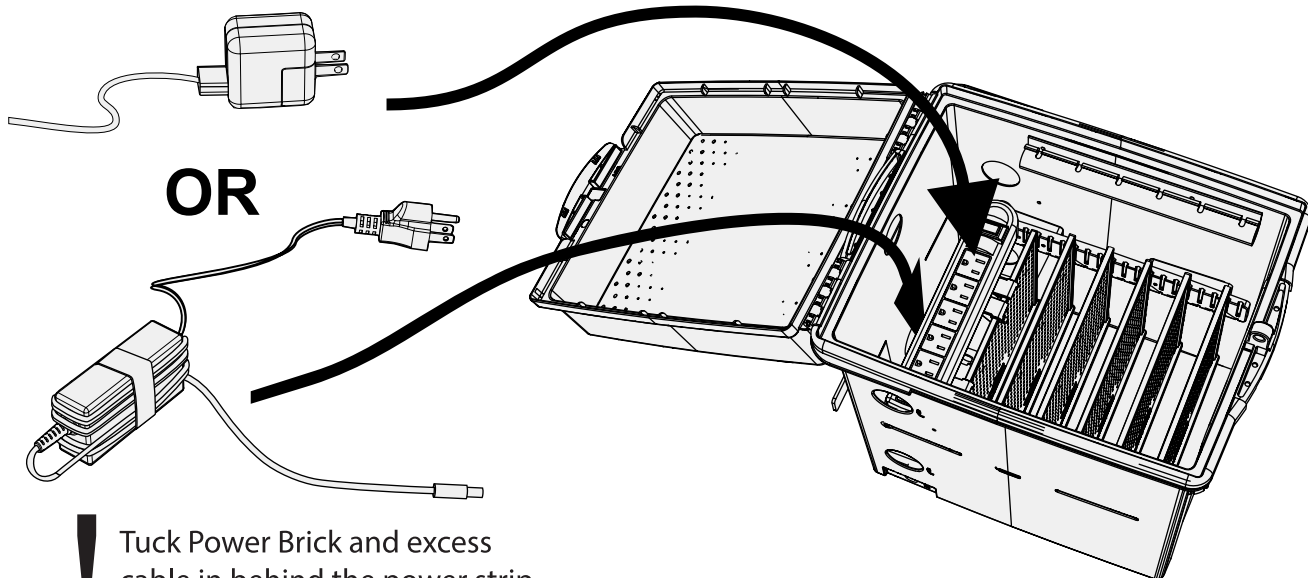
Wall Adapter
x6

OR



Power Brick
x6

Plug In Power Adapters



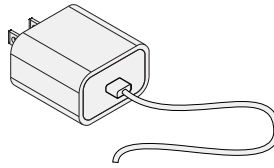
6B

TEC600C-8,
TEC601C-8
ONLY

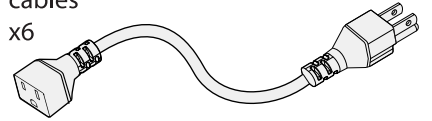
You will need: (Not to Scale)

Follow this step for larger power adapters that are too large to fit on the 6 outlet power strip

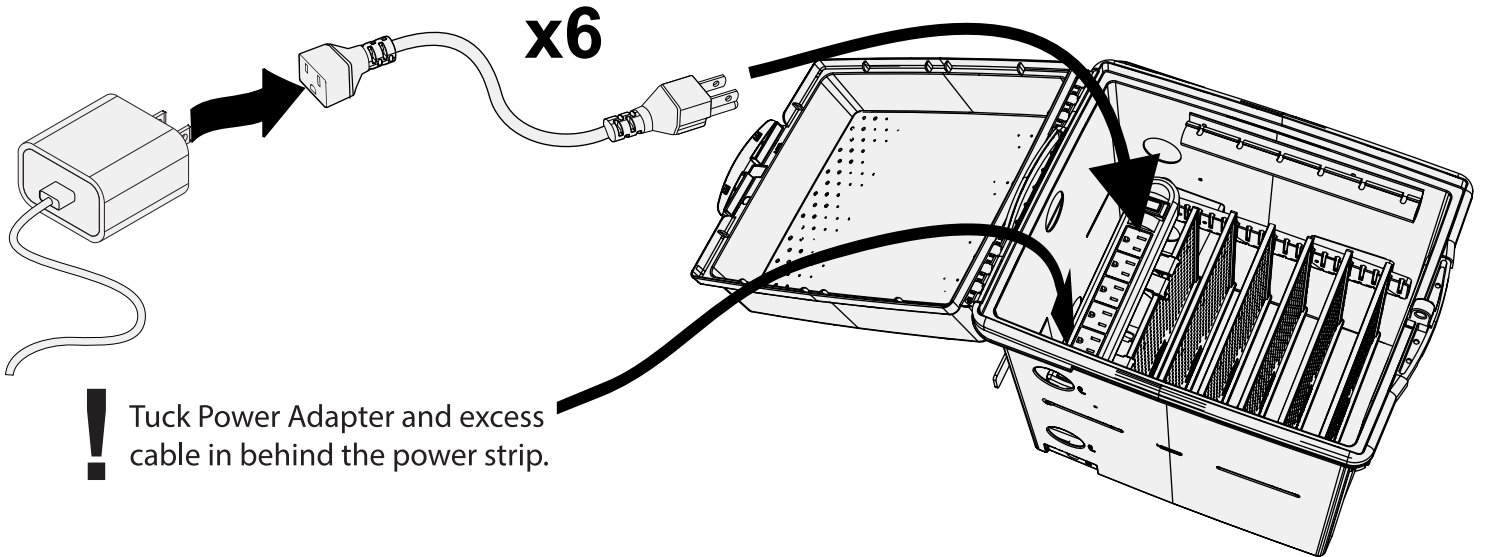
Large Power Adapter
x6



Adapter extension
cables
x6



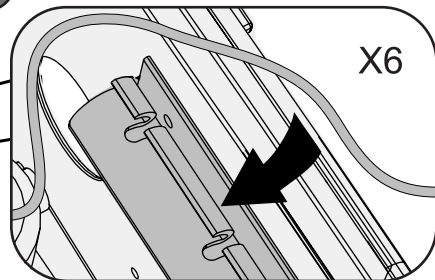
Plug in power adapter to extension cords, and plug in extension cords to power strip



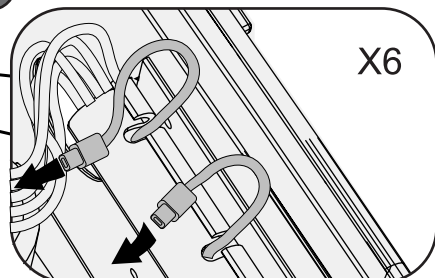
7

Route Charging Cable through Cable Management Channel

2 Push cable into cable management channel

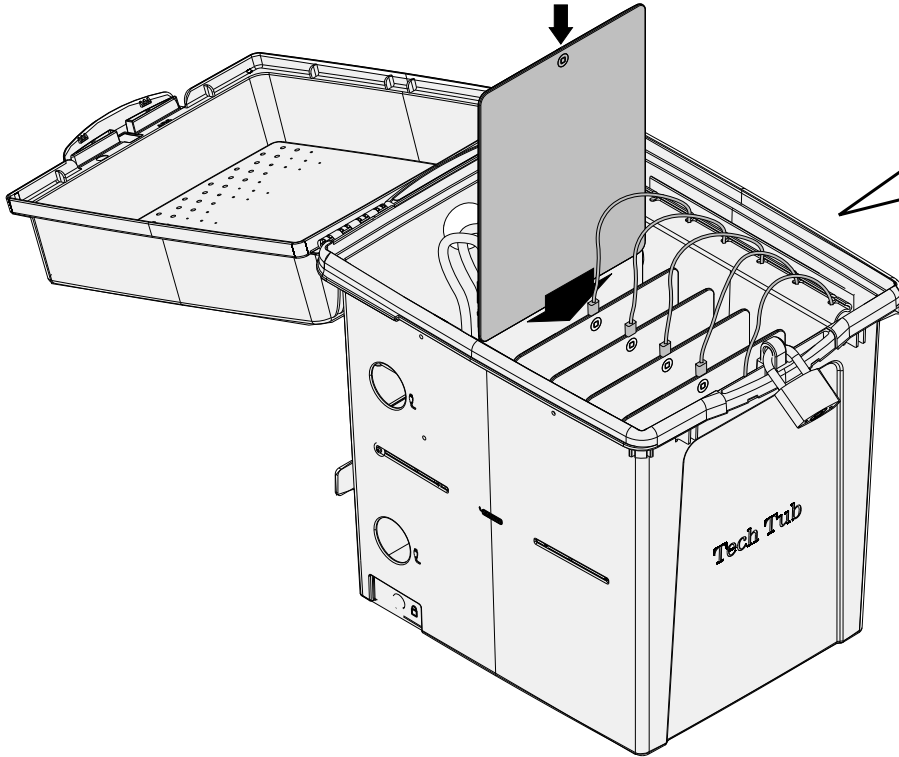


3 Route cable out through slots

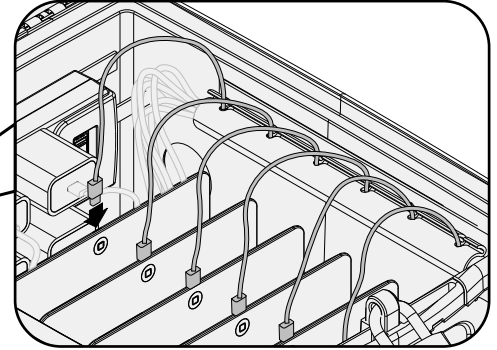


Insert devices into Tub and begin charging

1 Insert device into Tub with charging port facing up

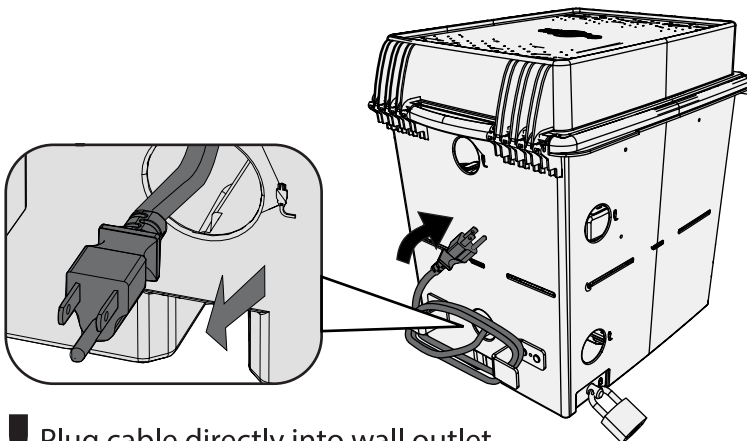


2 Plug charging cables into devices



3 Plug in power cable and turn on Power Strip to begin charging devices.

Wrap Power Strip Cable for Transport



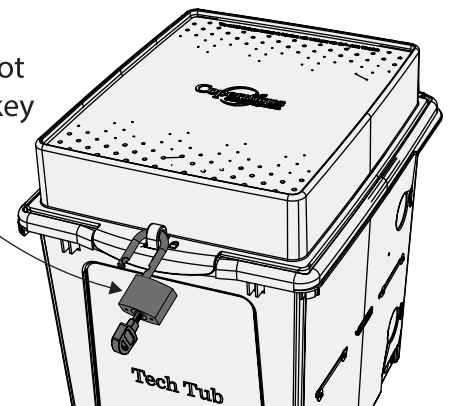
! Plug cable directly into wall outlet.
DO NOT PLUG THIS POWER STRIP INTO ANOTHER POWER STRIP.

You will need: (Not to Scale)



Lock Lid with Padlock

Note:
! Padlock will not
lock without key



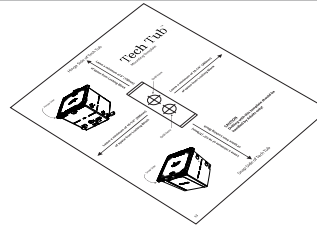
OPTIONAL:
(TEC600C, TEC600C-8 ONLY)

Follow Steps 11 to 13 to install the Tech Tub® Locking Block and Locking Pin System

11

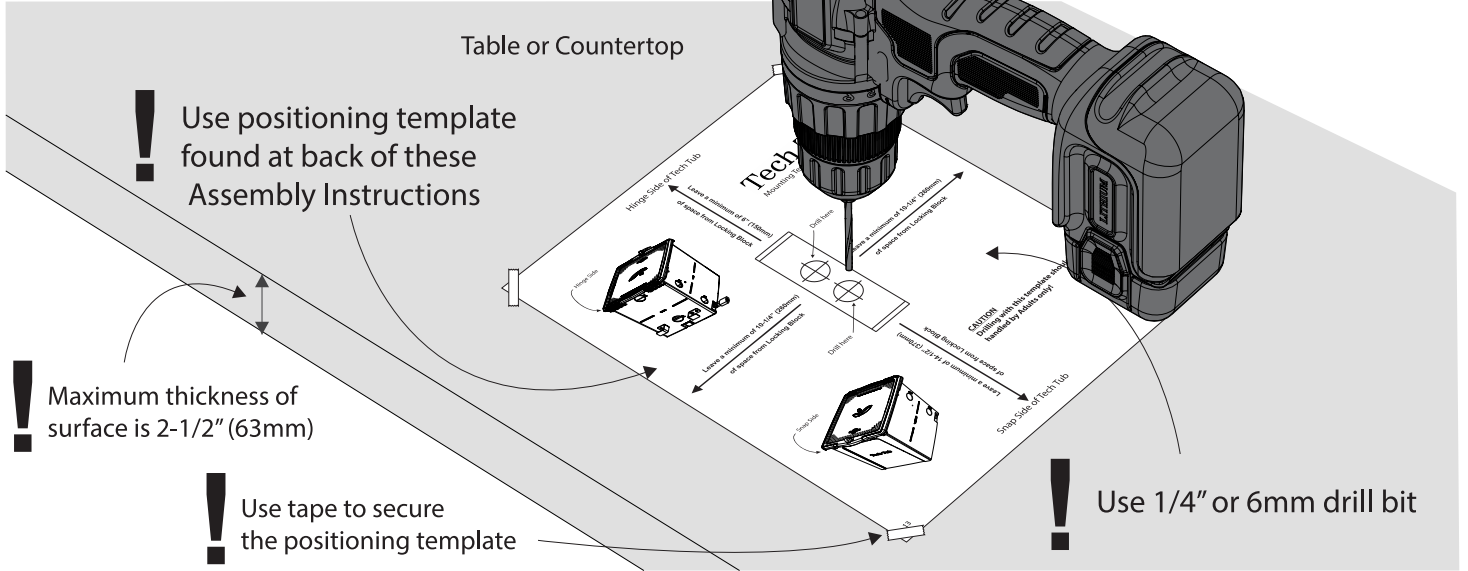
You will need: (Not to Scale)

★ This system allows you to lock your Tech Tub® to a table or countertop. This is a really good idea if you leave your devices out in the open or your room doesn't lock. You can then lock the Tech Tub in place and lock the Tech Tub itself.



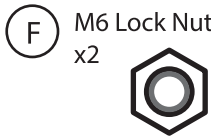
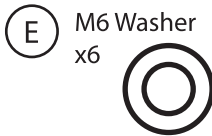
Positioning Template (found at back of this guide)
x1

Use Template and Drill Holes into Surface

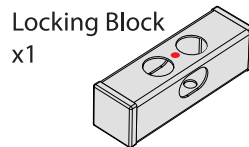


12

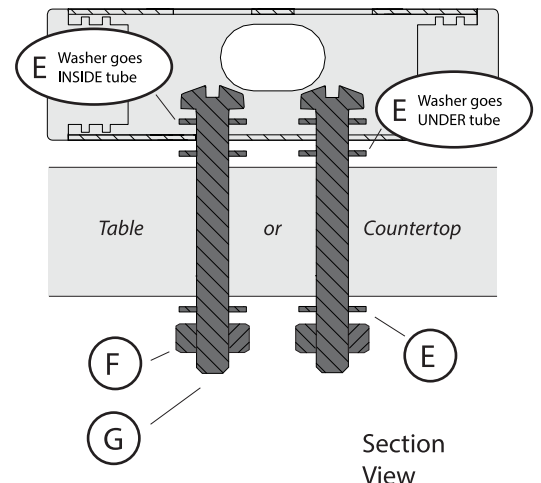
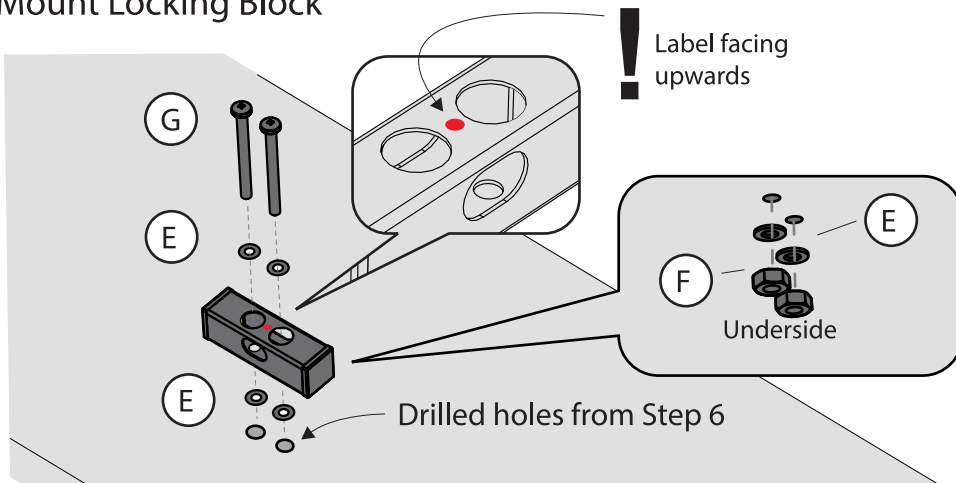
Actual Size:



You will need: (Not to Scale)



Mount Locking Block



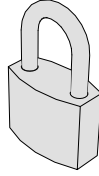
OPTIONAL:
(TEC600C, TEC600C-8 ONLY)

Follow Steps 11 to 13 to install the Tech Tub[®] Locking Block and Locking Pin System

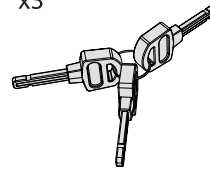
13

You will need: (Not to Scale)

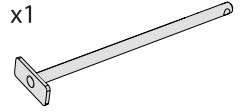
Padlock
x1



Key
x3

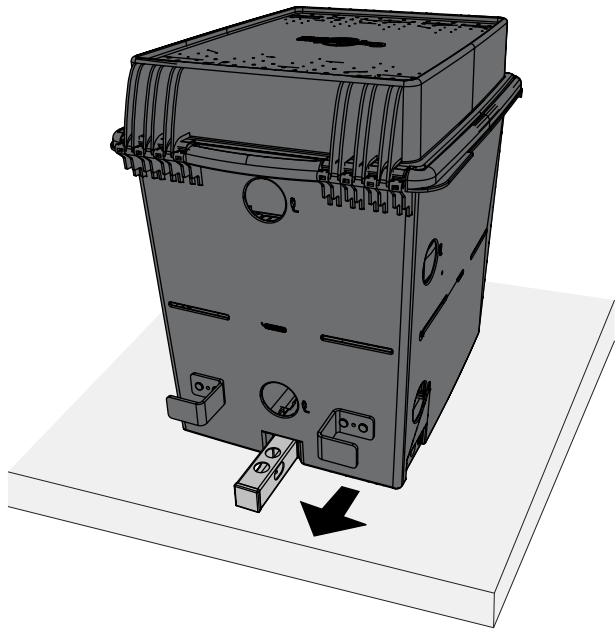


Locking Pin
x1

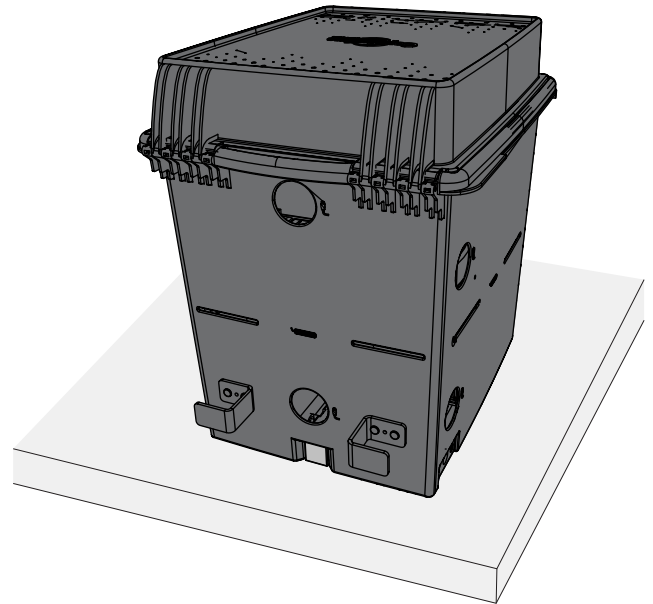


Lock the Tech Tub[®] with Locking Pin

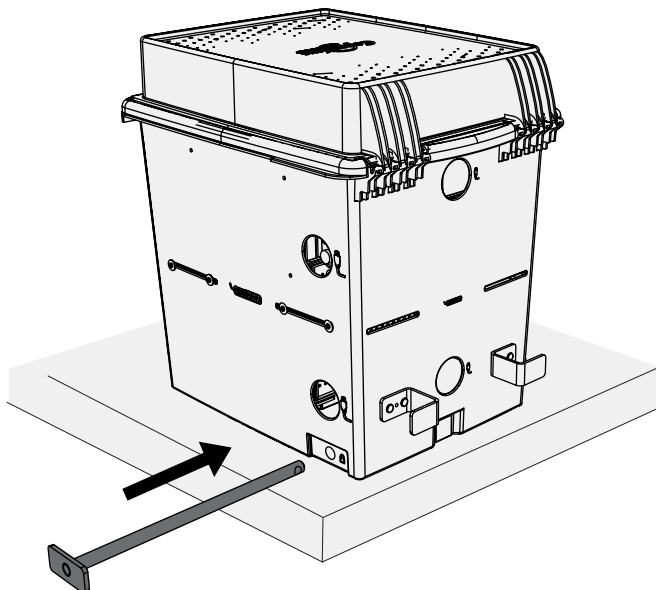
1 Push Tech Tub[®] onto Locking Block



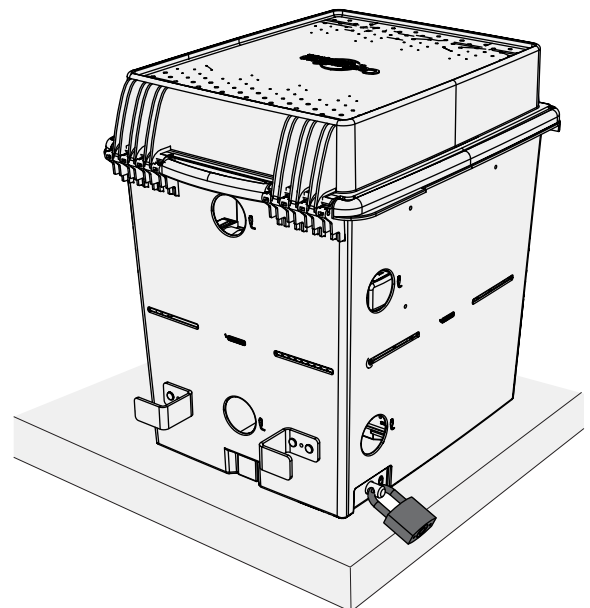
2 Push Tech Tub[®] all the way back until the Locking Block is completely in channel.



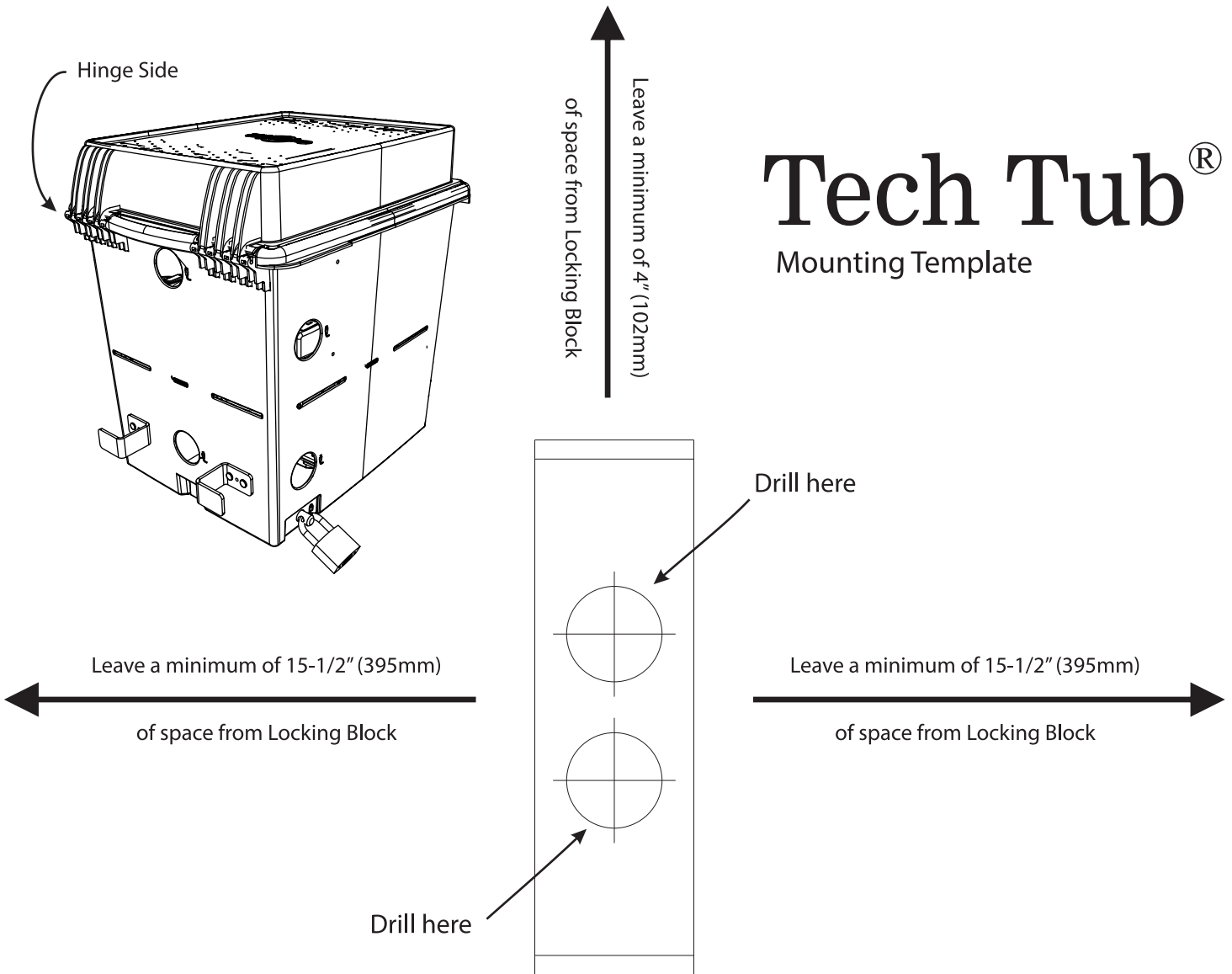
3 Slide Locking Pin through hole on Tech Tub[®]



4 Secure Locking Pin with Padlock on other side.

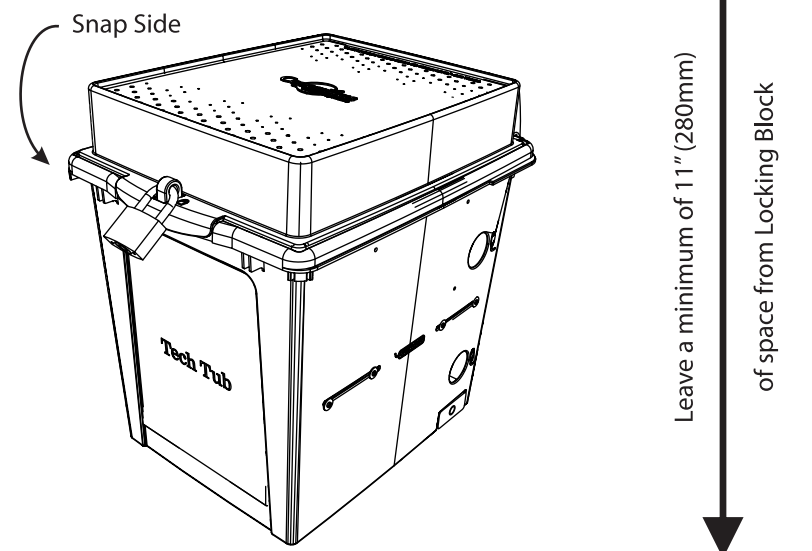


Hinge Side of Tech Tub



Tech Tub[®]

Mounting Template



CAUTION
Drilling with this template should be
handled by Adults only!

Snap Side of Tech Tub[®]