

BAM1  
BAM2

# Bamboo Hide Away Shelf



## Assembly Guide

Check out our other products online at [www.copernicused.com](http://www.copernicused.com)

For assistance, please contact us by telephone at **1-800-267-8494** or email at [info@copernicused.com](mailto:info@copernicused.com).

Have your packing slip ready for reference.

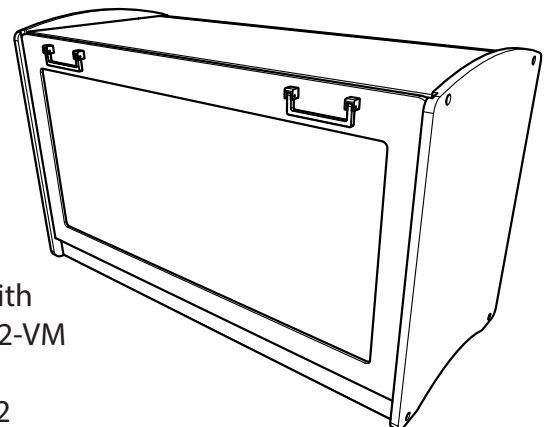


**Do Not Use Power  
Tools for assembly**



Tubs are provided with  
BAM1-C, BAM1-S, BAM1-VM

Image shows BAM1



Tubs are provided with  
BAM2-C, BAM2-S, BAM2-VM

Image shows BAM2



**Please Recycle**

# Customer Service & Warranty Information

Dear Educator,

Thank you for purchasing the Bamboo Shelving Unit. We hope it meets your expectations and you and your students enjoy using it at your school.

Every day we see and hear stories of teachers going above and beyond to help students thrive. Thank you so much for all you do – you are awesome, and you make a difference.

Thank you for inspiring us.

If you have any questions, concerns or ideas on how we can improve please let us know by contacting our Customer Solutions Ninjas at 1-800-267-8494 or [info@copernicused.com](mailto:info@copernicused.com).

Happy teaching,

Kaylyn Belcourt, President  
[kaylyn@copernicused.com](mailto:kaylyn@copernicused.com)



We do not inherit the earth from our ancestors, we borrow it from our children.

- NATIVE AMERICAN PROVERB

Change is the end result of all true learning.

- LEO BUSCAGLIA

What you leave behind is not what is engraved in stone monuments, but what is woven into the lives of others.

- PERICLES

Education is the most powerful weapon which you can use to change the world.

- NELSON MANDELA

## For missing parts and other issues regarding your product:

Please contact Customer Service, where we will be happy to help.  
Telephone: 1-800-267-8494, Monday - Friday 8:00am - 4:30 pm EST  
Email: [info@copernicused.com](mailto:info@copernicused.com)

**Need Support?  
Have a Question?**



Email [Customer Service](mailto:CustomerService)

**Check out some of our  
other great products!**



[www.copernicused.com](http://www.copernicused.com)

**Lifetime**  
Frame Warranty

### Register your Product

Registering your warranty ensures we have all the information we need to make any future warranty claims quick and easy. Please visit [www.copernicused.com/warranty](http://www.copernicused.com/warranty) and complete the form within 10 business days from product assembly. By registering your product, you will be entered into a draw to win Copernicus product.

**5 Year**  
Whiteboard  
Warranty

### Make a Warranty Claim

We offer a Lifetime Warranty on almost everything we make. Please call **1-800-267-8494** or email [info@copernicused.com](mailto:info@copernicused.com) to start your warranty claim. Proof of purchase will be required upon warranty claim (i.e. copy of invoice).

### Replace your Whiteboard

Have a well-used whiteboard that needs replacing? Our whiteboards carry a five-year warranty and replacement parts program after the warranty period. Please call **1-800-267-8494** or email [info@copernicused.com](mailto:info@copernicused.com) to get a new whiteboard for your Copernicus product!

# Tips for Assembly

## Before You Begin:

- Lay out and identify all of the included parts.
- The hardware has been packed according to step.
- Read the assembly guide over once to familiarize yourself with them.

## As You Assemble the Unit:

- Follow the steps in sequence.
- Before beginning each step, find the part(s) that you need for that step.
- The title of each step states what you will be doing. Review the text and the pictures as you build the unit.

## Watch for These Helpful Symbols:



2-Person Task

For safety, please have someone help you when working on steps displaying this symbol.



The symbol denotes a step needing extra attention to ensure it is done correctly.



# Important Information! Warning!

Please read the warnings below for important safety information regarding your product. Failure to read these warnings or to follow the instructions below could result in personal injury or damage to your product that could void your warranty.



### Small Parts

In its unassembled state, this product contains parts that can be hazardous to small children. This product should be assembled by an adult.



### Adult Supervision

This product is to be used under the supervision of an adult.



### Climb Hazard

Do not climb on, hang from or suspend objects from any components of your product unless otherwise specified.



### Indoor Use Only

This product is intended for indoor commercial use only. To reduce the risk of fire or electric shock, do not expose this product to rain or moisture. The internal components are not sealed from the environment.



### Do Not Use Power Tools

This product is not intended to be assembled with the use of power tools. Please use specified hand tools only, failure to do so may result in damage to the product.



# Bamboo Maintenance

When needed, wipe down with mild soapy water. A mild disinfectant can be used. A mild bleach water solution (1:50) can also be used. Wipe cleaning solution off after application.

Recommended cleaning frequency is once monthly, and at minimum, once per school year.

DO NOT leave standing water or cleaning solutions on the bamboo surface.  
DO NOT use harsh chemicals to clean surfaces.

# Parts

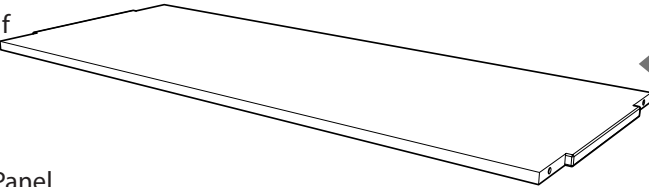
## Before beginning, you should have:

Additional tools required:

Screwdriver  
⊕

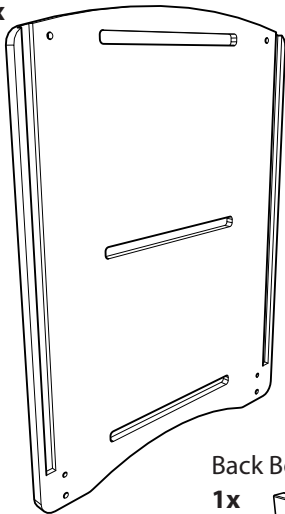
### BAM1-0

Shelf  
3x

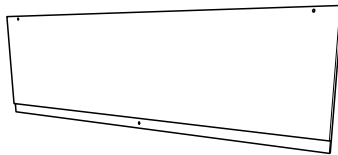


In Box 1

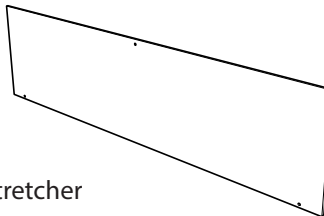
Side Panel  
2x



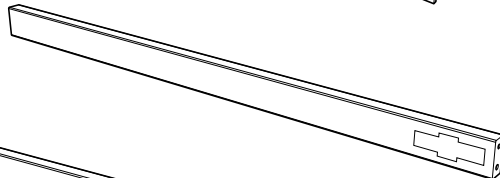
Back Panel Top  
1x



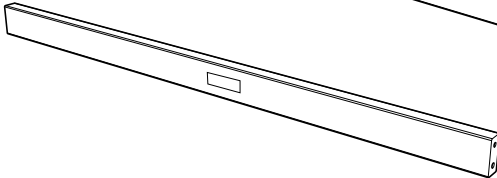
Back Panel Bottom  
1x



Back Bottom Stretcher  
1x



Front Bottom Stretcher  
1x



### Hardware Actual Size

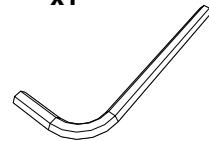
(A) M7 x 38 Self Tapping Screw (432705)  
8x

(B) M4 x 25mm Wood Screw  
5x

(C) Wooden Peg  
4x

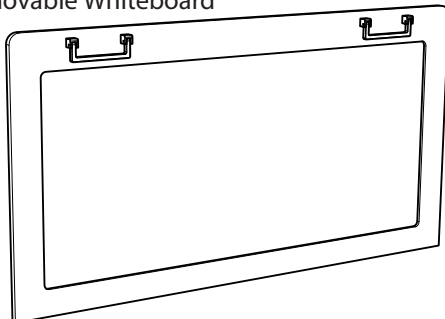
### Tools (Not to Scale)

Allen Key  
(43281)  
x1



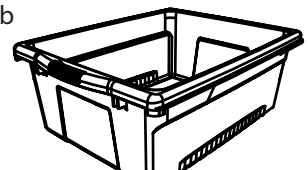
### BAM2-0 (included with BAM2 only)

Removable Whiteboard  
1x



### BB6-CB-VM/S/C (Optional)

Open Tub  
6x  
(CC4068)



10 lbs Weight Limit

Tubs are provided with  
BAM1-C, BAM1-S, BAM1-VM,  
BAM2-C, BAM2-S, BAM2-VM.

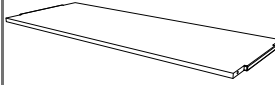
1

Actual Size:



You will need: (Not to Scale)

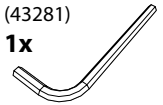
Shelf  
1x



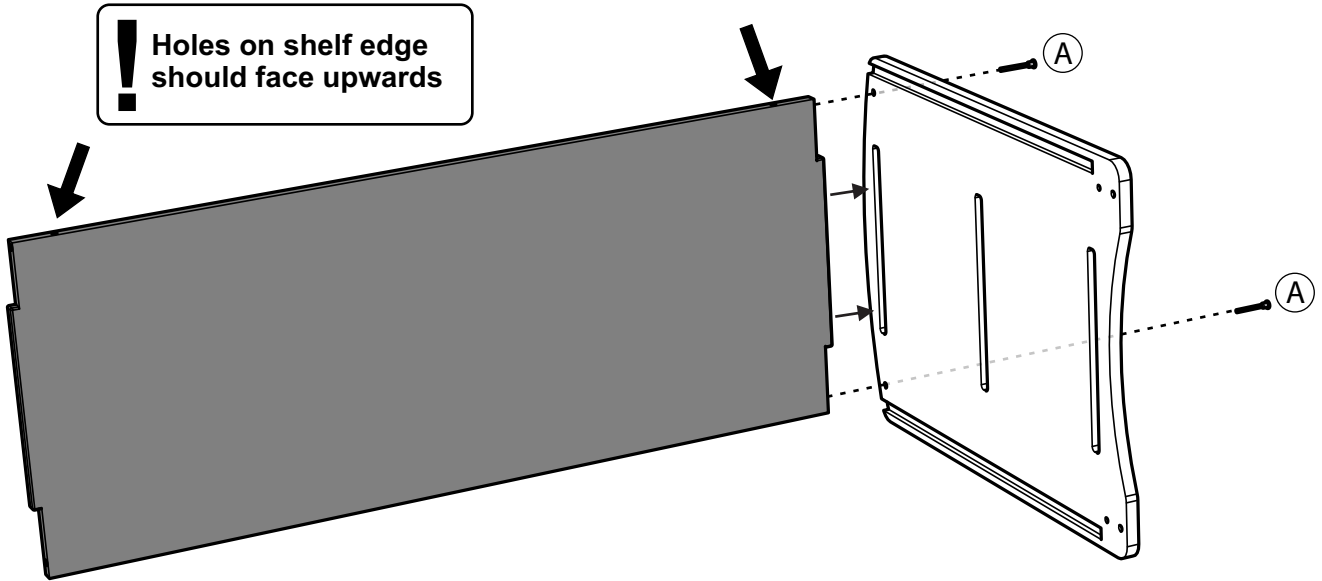
Side Panel  
1x



Allen Key  
(43281)  
1x



**Slide the end of the top shelf into the slot on the side panel. Secure with hardware .**

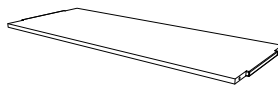


2

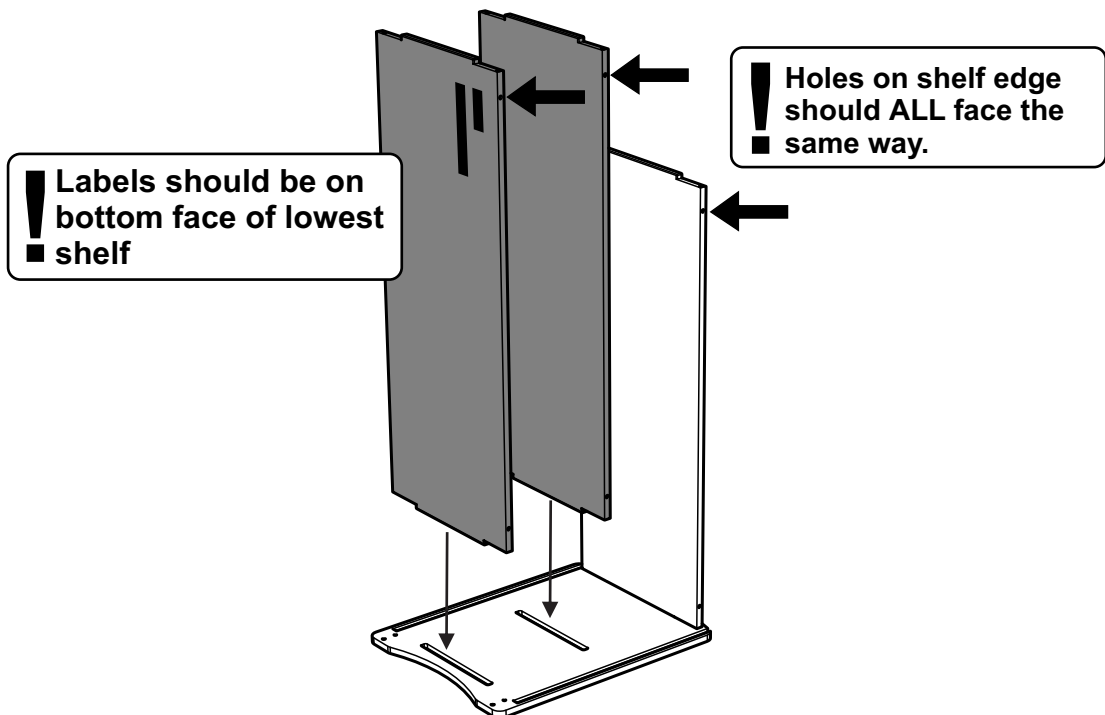
2-Person Task


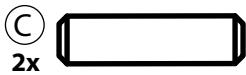
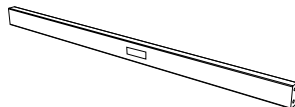


You will need: (Not to Scale)

Shelf  
2x

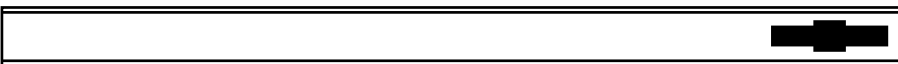



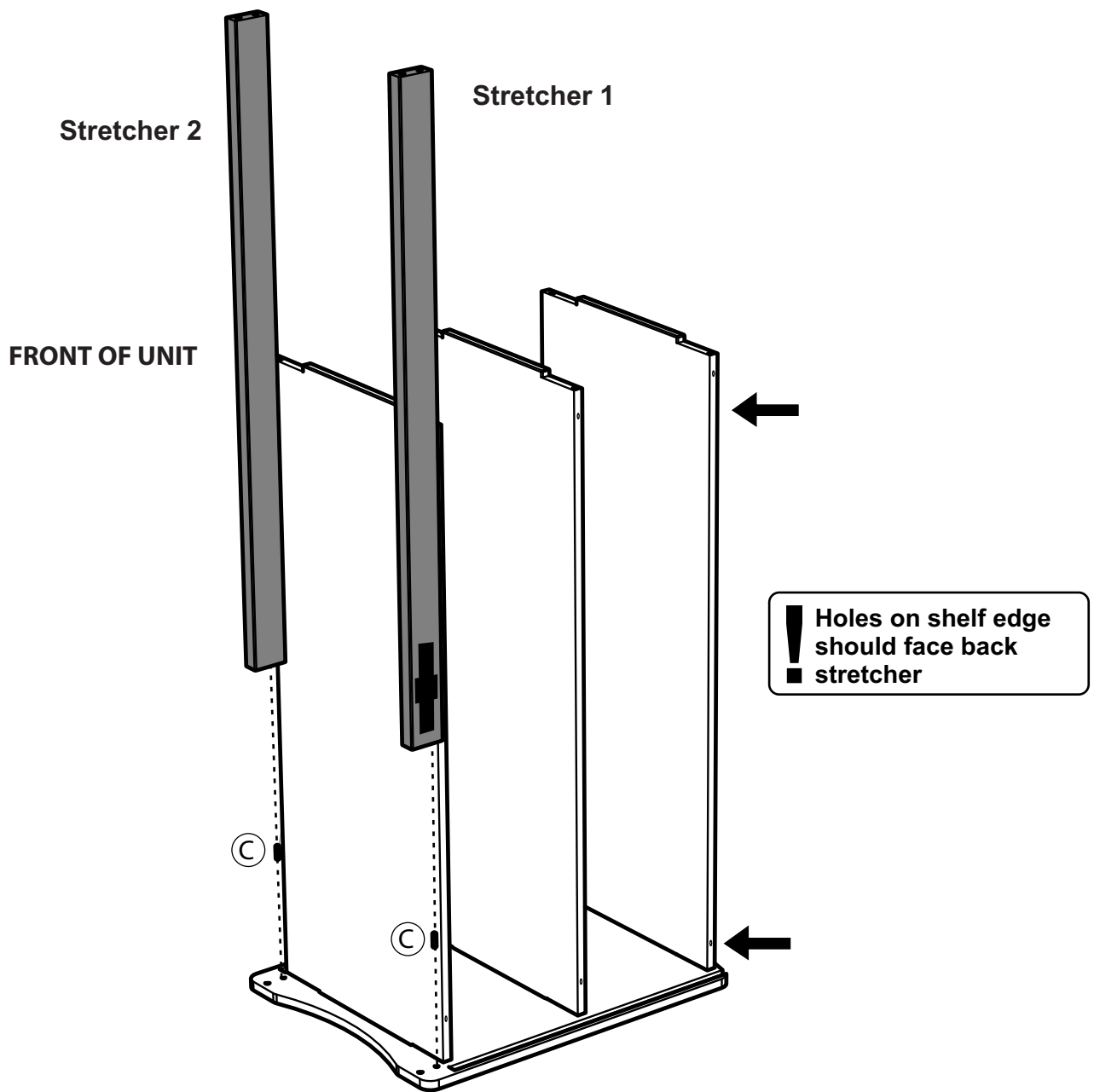
**Rotate unit onto its end. Slide the lower two shelves into the remaining slots.**





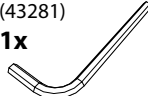


 <b>2-Person Task</b>	You will need: (Not to Scale)  <b>2x</b>	You will need: (Not to Scale) <b>Front Bottom Stretcher</b> <b>1x</b> 	<b>Back Bottom Stretcher</b> <b>1x</b> 	<b>Allen Key</b> (43281) <b>1x</b> 
--	---	---	--	--

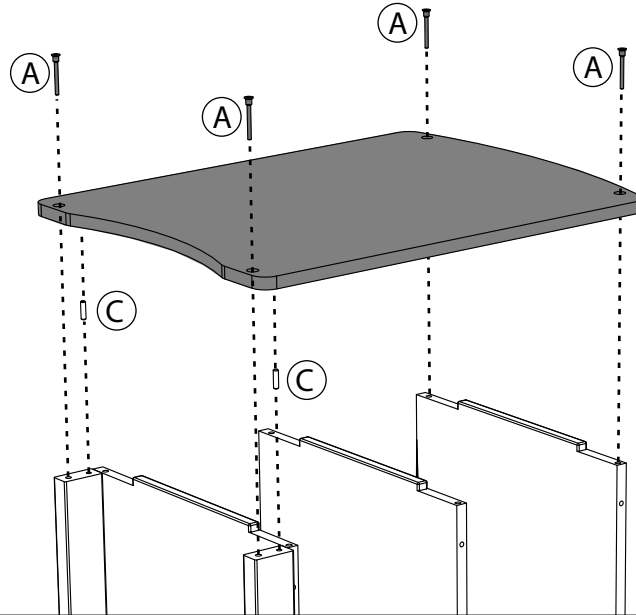
**Install bottom stretchers onto bottom of side panel.**




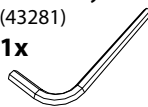
<b>Stretcher 1</b>  <p><i>Made from Bamboo! (goes on the back side of unit)</i></p>
<b>Stretcher 2</b>  <p><i>Logo label (faces outward on front side of unit)</i></p>



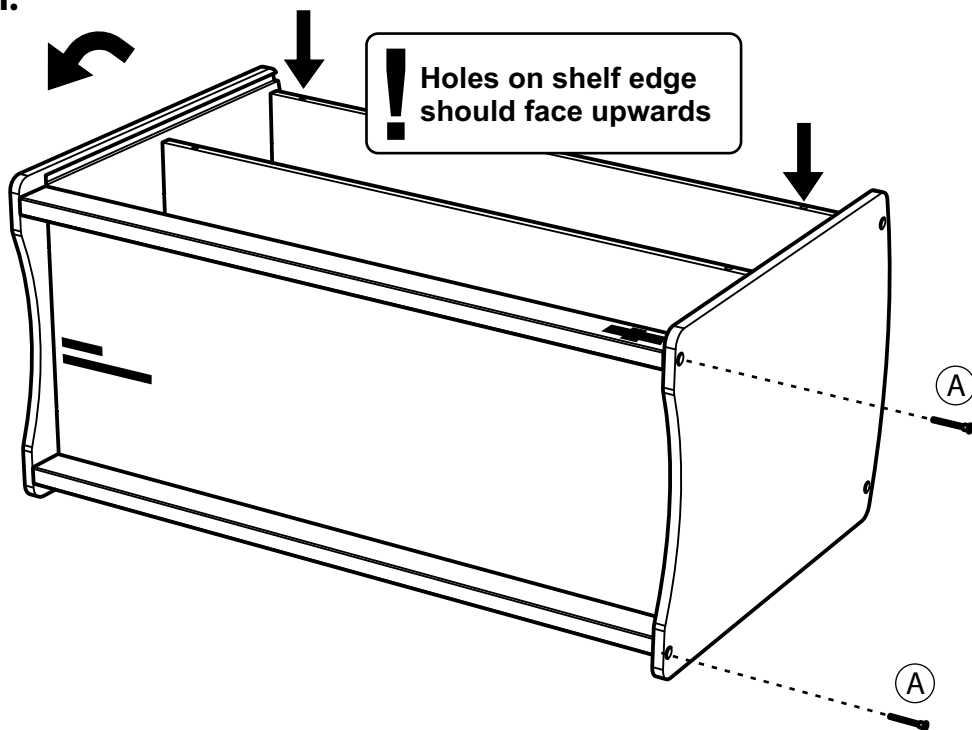
 2-Person Task	<b>4</b>	Actual Size:  <b>A</b> <b>4x</b>  <b>C</b> <b>2x</b>	You will need: (Not to Scale) Side Panel <b>1x</b>  Allen Key (43281) <b>1x</b> 
--	----------	--	--

**Install the second end panel.**



 2-Person Task	<b>5</b>	Actual Size:  <b>A</b> <b>2x</b>	You will need: (Not to Scale) Side Panel <b>1x</b>  Allen Key (43281) <b>1x</b> 
--	----------	--	---

**Carefully rotate unit onto the front face and install remaining hardware on the first side panel.**



6

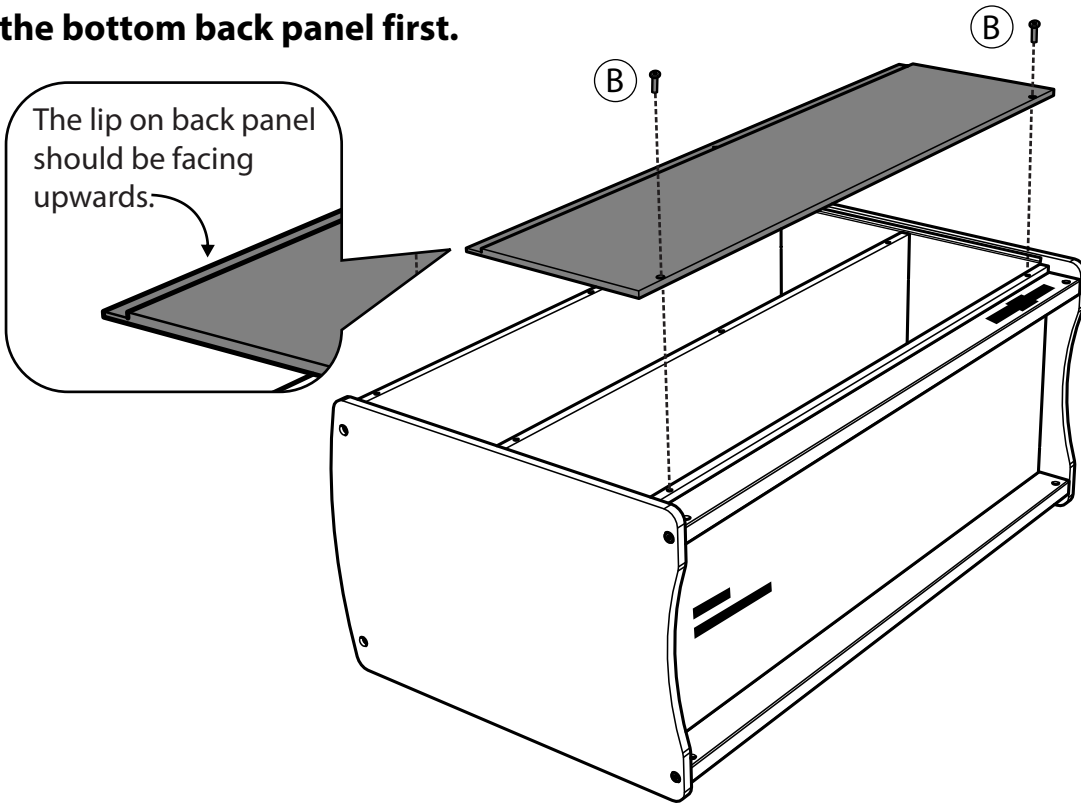
Actual Size:



You will need: (Not to Scale)

Screwdriver  
⊕

**Install the bottom back panel first.**



The lip on back panel should be facing upwards.

7

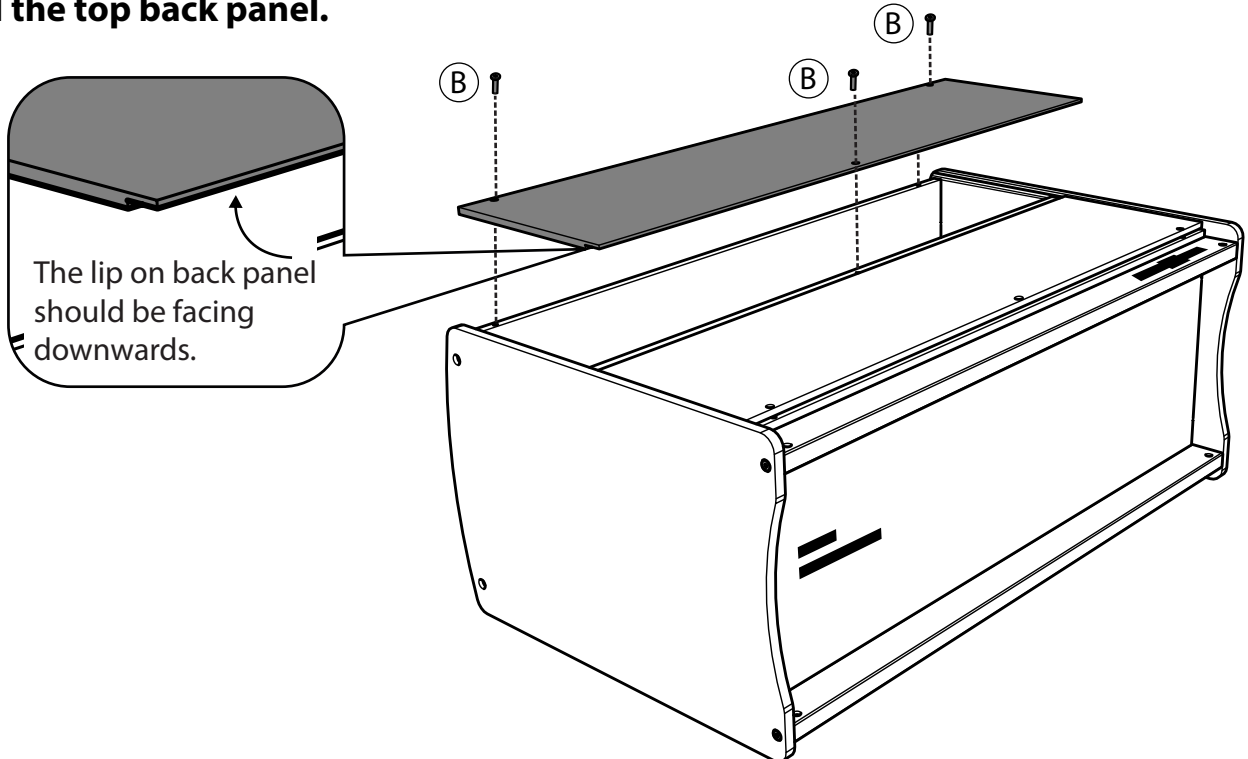
Actual Size:



You will need: (Not to Scale)

Screwdriver  
⊕

**Install the top back panel.**



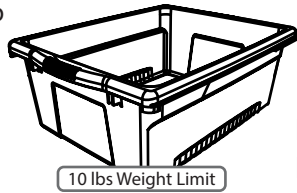
The lip on back panel should be facing downwards.



8

You will need: (Not to Scale)

Open Tub  
6x  
(CC4068)



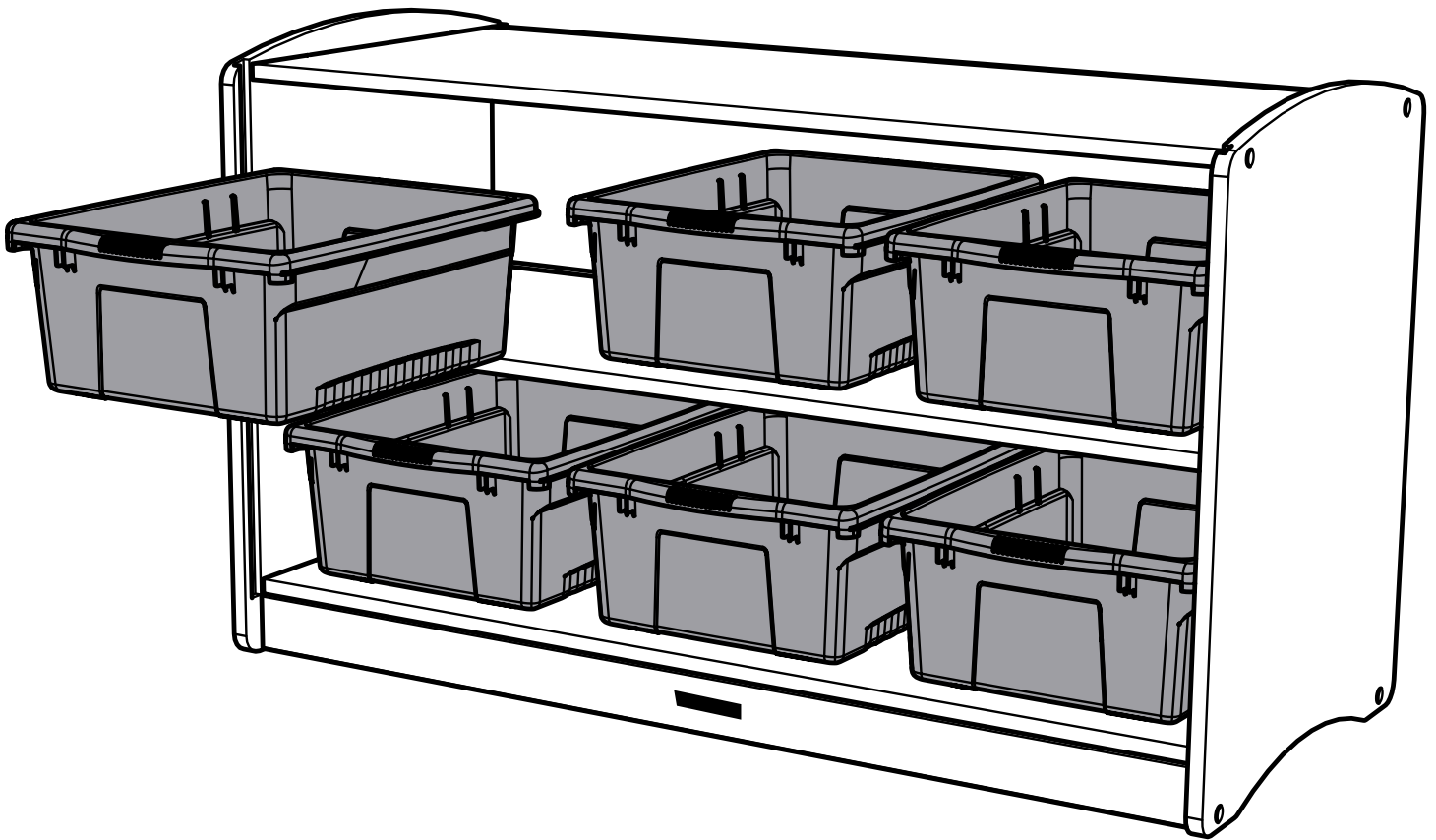
Tubs are provided with  
BAM1-C, BAM1-S, BAM1-VM  
BAM2-C, BAM2-S, BAM2-VM

Allen Key  
(43281)  
1x

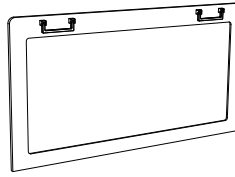


Screwdriver  
+

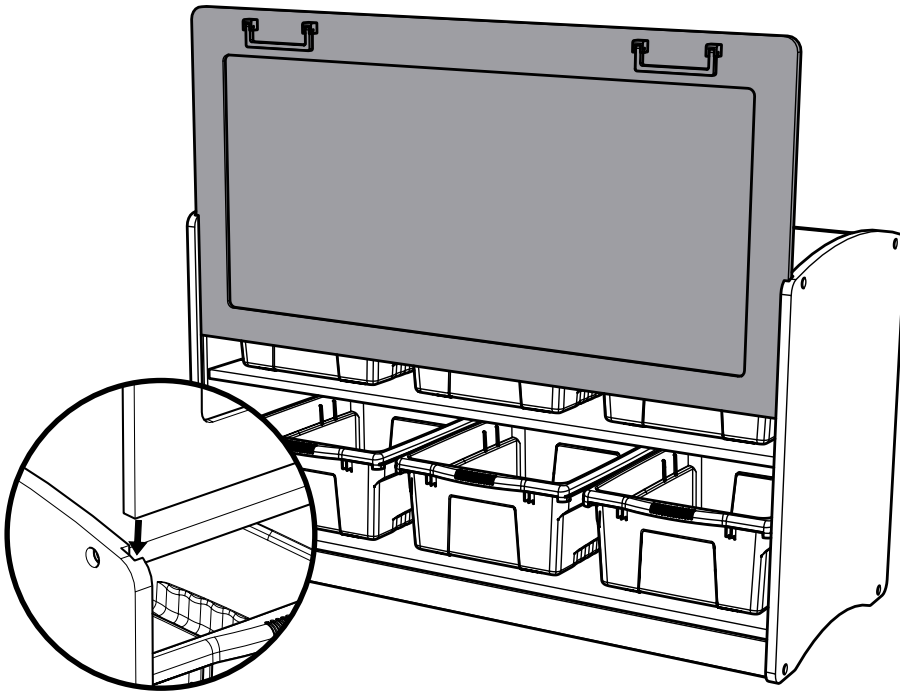
**Install Tubs if SKU listed above was purchased**  
**Check entire assembly for loose parts; bolts or screws.**



Removable  
Whiteboard  
1x



**FOR BAM2 UNITS ONLY. Install the removable whiteboard.**



★ Install the removable whiteboard on the front to 'hide' supplies that are not needed during a certain time of day.

★ Install the removable whiteboard on the back to allow students to access the shelves on the front while being able to create and collaborate on the whiteboard.

