

Mobile Tech Station Base



Assembly Guide

MTS2_2021_A

Check out our other products online at
www.copernicused.com

For assistance, please contact us:

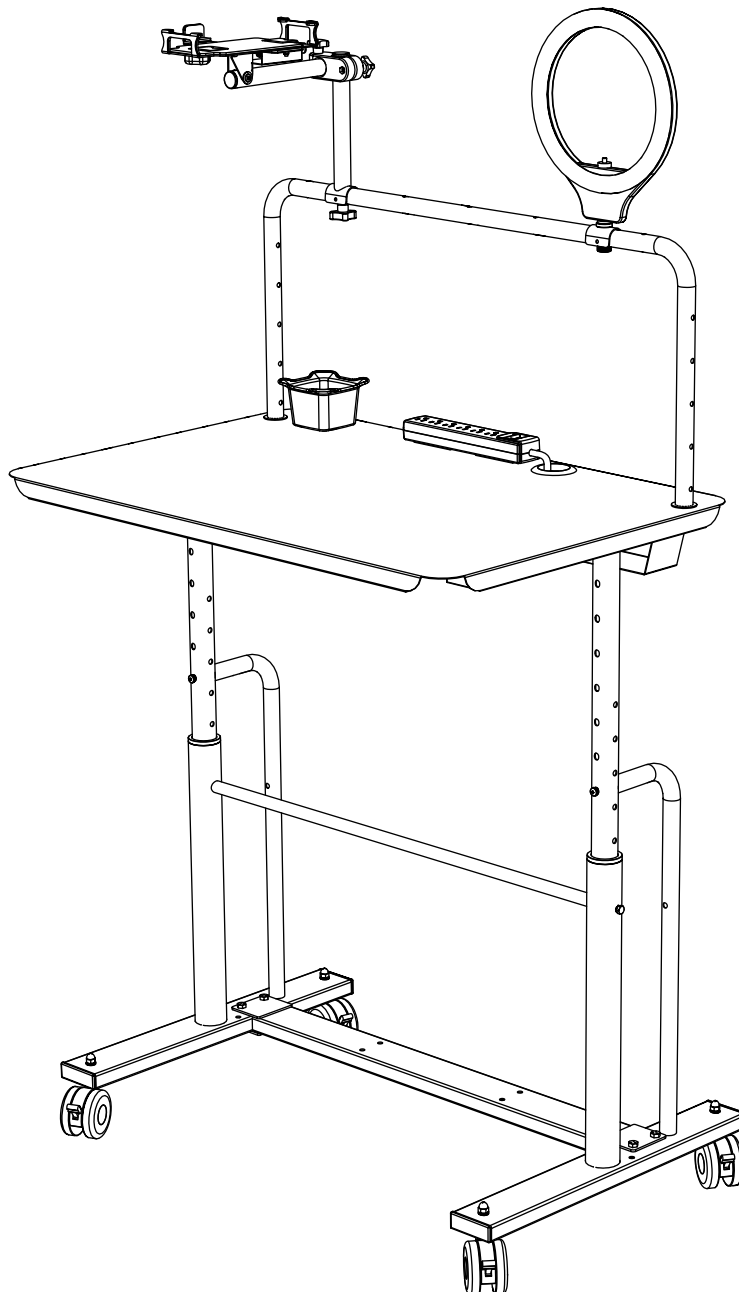
1-800-267-8494

Email info@copernicused.com

Have your packing slip ready for reference

WARNING !

- This product is meant to be assembled by an adult.
- In its unassembled state, small parts present a hazard.
- To be used under direct supervision of an adult.



Mobile Tech Station Base



Assembly Guide MTS2_2021_A

Check out our other products online at
www.copernicused.com

For assistance, please contact us:

1-800-267-8494

Email info@copernicused.com

Have your packing slip ready for reference

Dear Educator,

Thank you for purchasing the Mobile Tech Station. We hope it meets all your expectations and you and your students enjoy using it in your school.

If you have any questions, concerns or ideas on how we can improve please let us know by contacting our Customer Solutions Ninjas at 1-800-267-8494 or info@copernicused.com.

Happy teaching,

Kaylyn Belcourt
President

We do not inherit the earth from our ancestors, we borrow it from our children.

NATIVE AMERICAN

PROVERB

Change is the end result of all true learning.

LEO BUSCAGLIA

What you leave behind is not what is engraved in stone monuments, but what is woven into the lives of others.

PERICLES

Education is the most powerful weapon which you can use to change the world.

NELSON MANDELA



Register your Product

Registering your warranty ensures we have all the information we need to make any future warranty claims quick and easy. Please visit www.copernicused.com/warranty and complete the form within 10 business days from product assembly. By registering your product, you will be entered into a draw to win Copernicus product.



Make a Warranty Claim

We offer a Lifetime Warranty on almost everything we make. Please call 1-800-267-8494 or email info@copernicused.com to start your warranty claim. Proof of purchase will be required upon warranty claim (i.e. copy of invoice).



Warning! Hazard Risks!

Please read the warnings below for important safety information regarding your product. Failure to read these warnings or to follow the instructions below could result in personal injury or damage to your product that could void your warranty.



Small Parts

In its unassembled state, this product contains parts that can be hazardous to small children. This product should be assembled by an adult.



Adult Supervision

This product is to be used under the supervision of an adult.



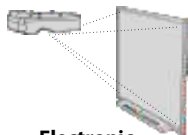
Indoor Use Only

This product is intended for indoor use only. To reduce the risk of fire or electric shock, do not expose this product to rain or moisture. The internal components are not sealed from the environment.



Power Strip Specifications

Read your power strip electrical specifications. Only plug in devices that are approved for use with this power strip. Connect the supplied power strip directly to a wall outlet. **Do not connect to another power strip or use an extension cord.** Unplug when not in use. **Do not leave this product plugged in for more than 72 consecutive hours.** Turn off power strip before unplugging.



Electronic Equipment

Read the electrical specifications of any electronic equipment you are using with your Copernicus products. Failure to read these specifications and follow their instructions could result in damage to your equipment or personal injury.



Cable Trip Hazard

Ensure that any cables extending across the floor to your product are properly bundled and marked to avoid tripping or falling which may lead to personal injury.



Electrical Shock

Do not install or use the electrical components of this unit during a lightning storm.



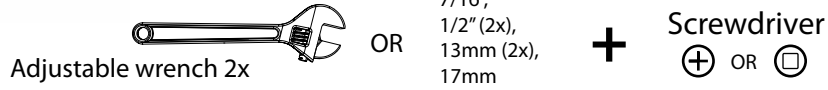
Climb Hazard

Do not climb on, hang from or suspend objects from any components of your product unless otherwise specified.

Mobile Tech Station Base

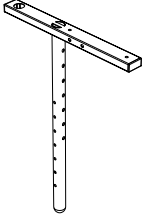
Before beginning, you should have:

Additional tools required:

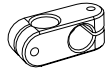


Contents - MTS2-1

Inner Column
2x



Two-way Connector
1x
(432782)



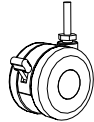
Cable Hook
1x
(34109)



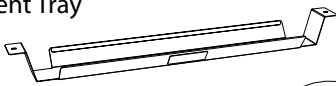
Ring Light & Adapter
1x
(25550)



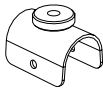
Caster
4x
(410031)



Cable Management Tray
1x
(32321)



Ring Light Mount
1x
(323261)



Bushing
2x
(420114)



Hook-Loop (Loop Side)
2x
(43322)

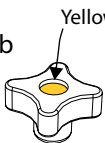


In Box

Hook-Loop (Hook Side)
2x
(43323)



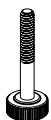
M6 Knob
1x



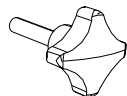
1/4"-20 Knob
1x
(42104)



1/4" Male Knob
1x
(42111)



M6 Male Knob
2x
(42110)



Hook & Loop Strap
(43321)
4x



Adjustment Lip
1x



Hardware Actual Size

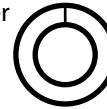
A 5/16" x 1-3/4" Screw
(430235)



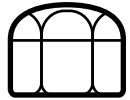
B 1/4" x 3" Screw
(4302093)



C 5/16" Lock Washer
(43025)



D M8 Cap Nut
(432760)



E M8 Lock Washer
(43274)



F 1/4" Lock Washer
(43010)



G 1/4" x 2" Screw
(43008)



H 1/4" Nut
(43011)



I 1/4" x 1/2" Screw
(4300383)



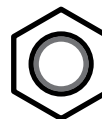
J 1/4" x 1" Screw
(43004)



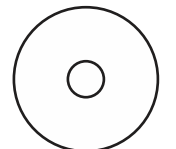
K M6 Lock Nut
2x



L 5/16" Lock Nut
(430104)



M Rubber Washer
(430324)



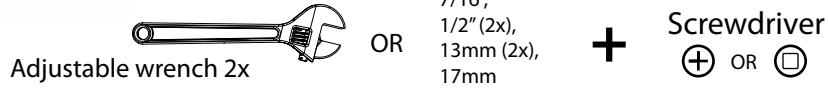
N M6 Nylon Washer
2x



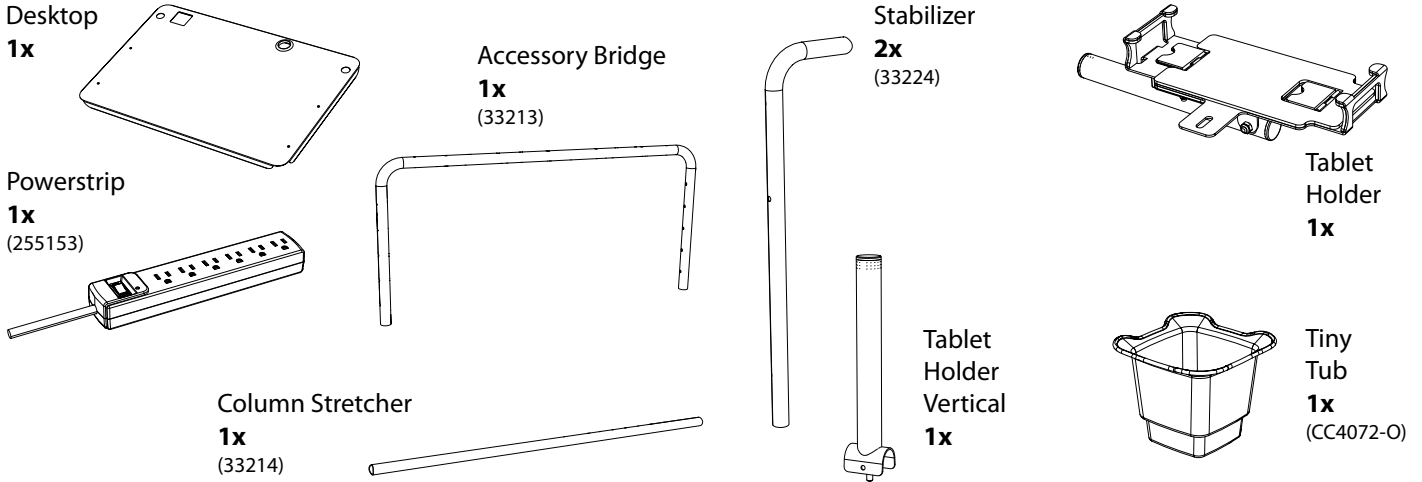
Mobile Tech Station Base

Before beginning, you should have:

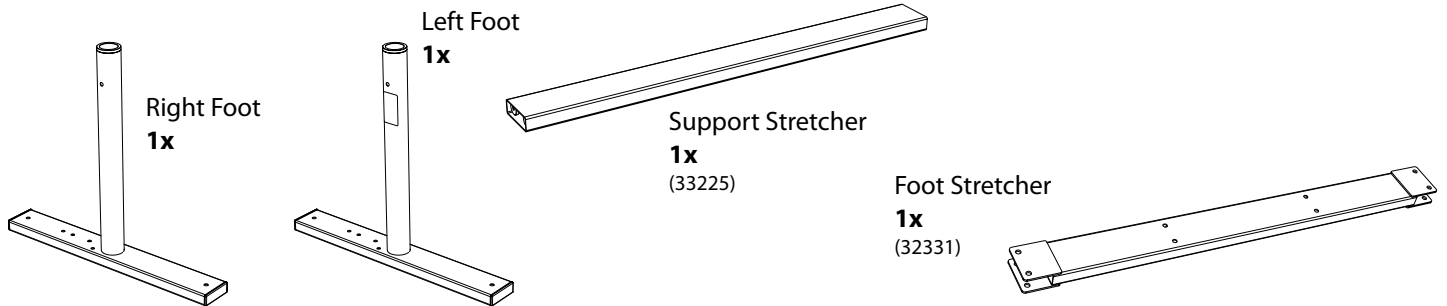
Additional tools required:



Contents - MTS2-0



Contents - MTS2-2



Tips for Assembly

Watch for These Helpful Symbols

This symbol denotes a 2-Person Task. For safety, please ensure that there are the suggested number of people working on steps displaying this symbol.



Watch for this symbol throughout the Assembly Guide. Wherever you see it, pay close attention. The symbol denotes a step needing extra attention to ensure it is done correctly.



Before You Begin

- Lay out and identify all of the included parts.
- The hardware has been packed according to bulk.
- Read the assembly guide over once to familiarize yourself with them.



! Please note that in its unassembled state, this product contains parts that can be hazardous to small children. This product should be assembled by an adult.

As You Assemble the Unit

- Follow the steps in sequence.
- Before beginning each step, find the part(s) that you need for that step.
- Pay attention to the labels on the parts; they are there to help direct you at certain stages.
- The title of each step states what you will be doing. Review the text and the pictures as you build the unit.

Customer Service - FAQ's



For missing parts and other issues regarding the frame:

Please call Copernicus Customer Service, where we will be happy to help.

1-800-267-8494. Monday - Friday 8:00am - 4:30 pm EST.

OR

Email our Tech Support Service at info@copernicused.com

**Need Tech Support?
Have a Question?**



Email our Tech Support Service

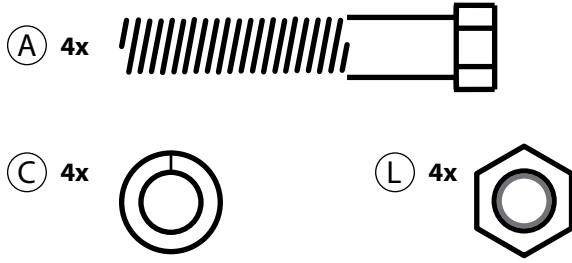
**Check out some of our
other great products!**



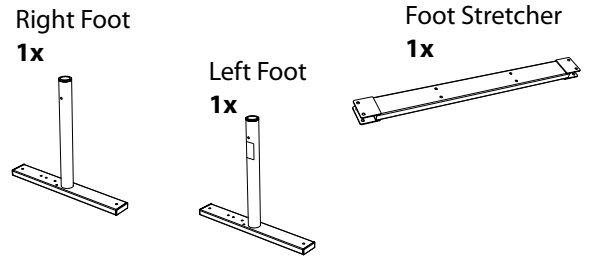
www.copernicused.com

1

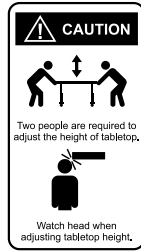
Actual Size:



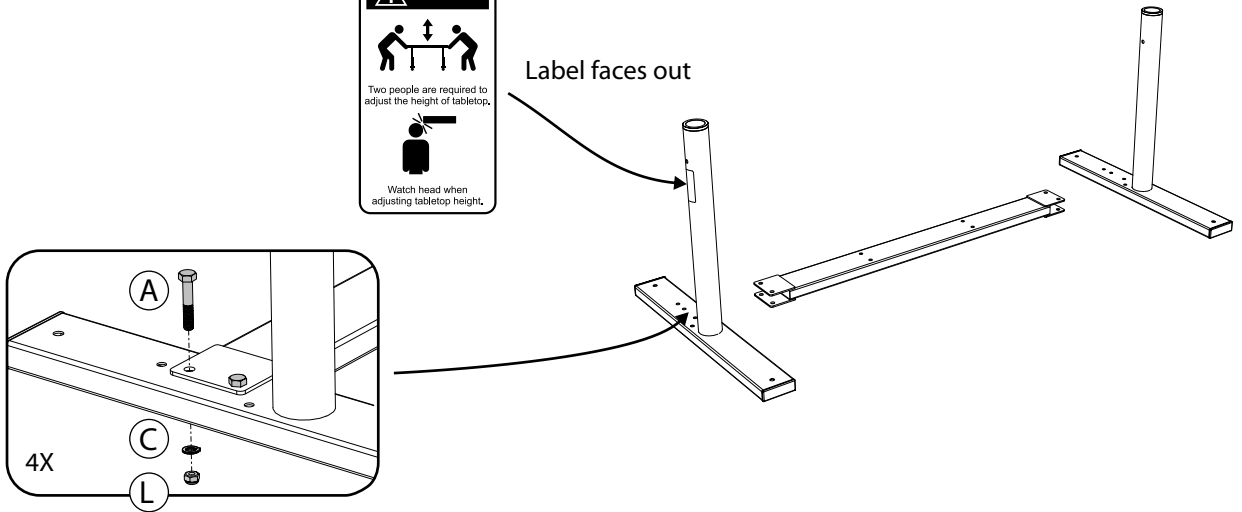
You will need: (Not to Scale)



Assemble Middle Stretcher to Feet



Label faces out



2

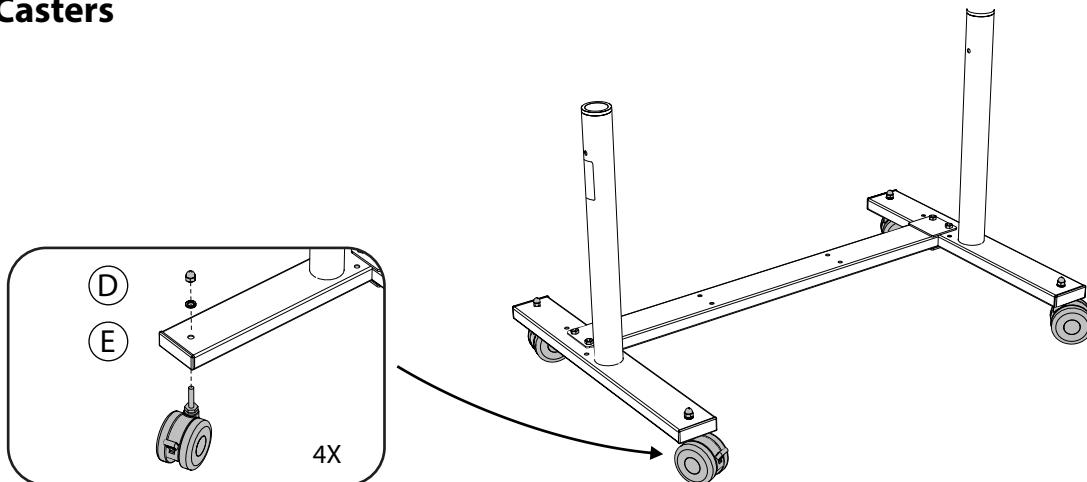
Actual Size:



You will need: (Not to Scale)

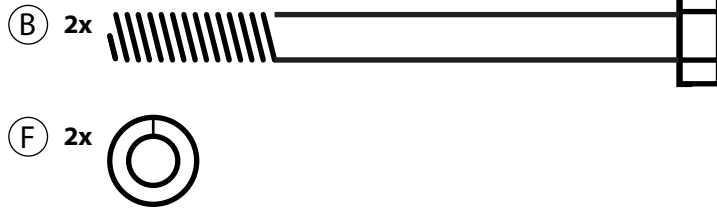


Attach Casters

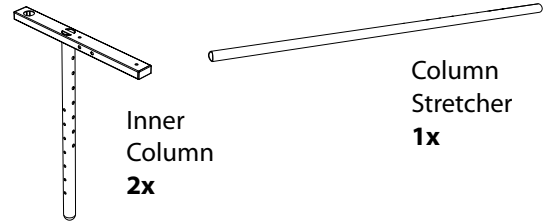


3

Actual Size:



You will need: (Not to Scale)



Install Inner Column and Stretcher

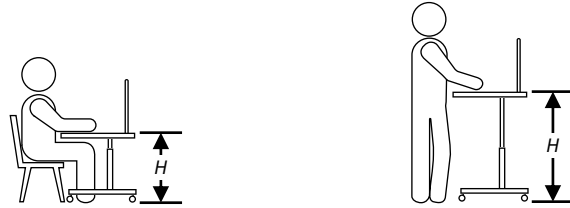
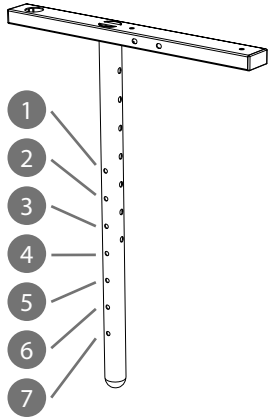


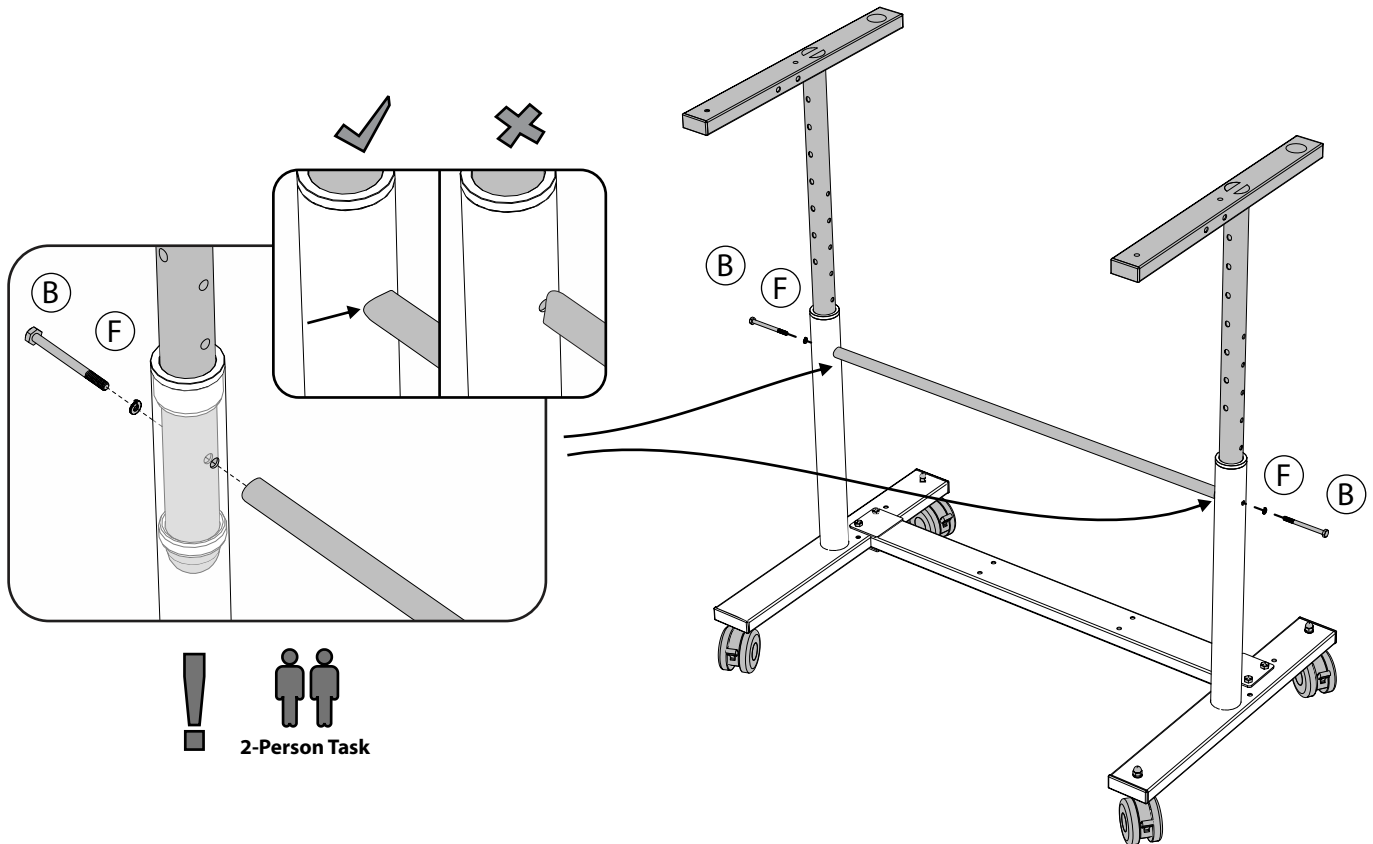
Table 01 - General Recommended Desktop Setup by User Height and Position*

| User Height | Sitting | | Standing | |
|---------------------------|--------------------|-------------------|--------------------|-------------------|
| | Desktop Height (H) | Inner Column Hole | Desktop Height (H) | Inner Column Hole |
| ≤ 5'0" (≤ 152cm) | 30" (76cm) | 1 | 36" (91cm) | 4 |
| 5'1" - 5'5" (153 - 165cm) | 30" (76cm) | 1 | 38" (97cm) | 5 |
| 5'6" - 5'8" (166 - 172cm) | 30" (76cm) | 1 | 40" (102cm) | 6 |
| ≥ 5'9" (≥ 173cm) | 32" (81cm) | 2 | 42" (107cm) | 7 |



Inner Column Hole Numbers

*These are recommendations only and may not be accurate for everyone. If the recommended height is not comfortable, adjust desk height to find the position that is right for you. Refer to "Usage Tips" section on how to adjust the height of your desk.



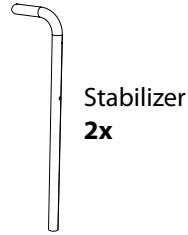
4

2-Person Task

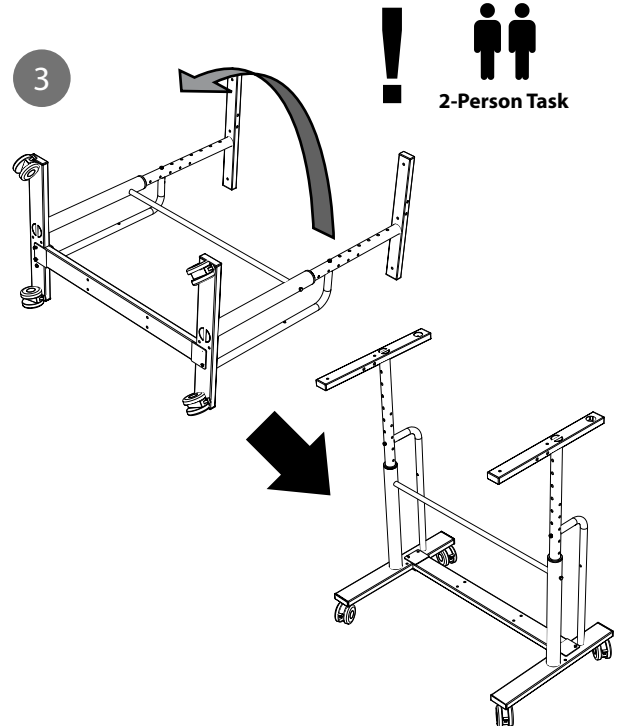
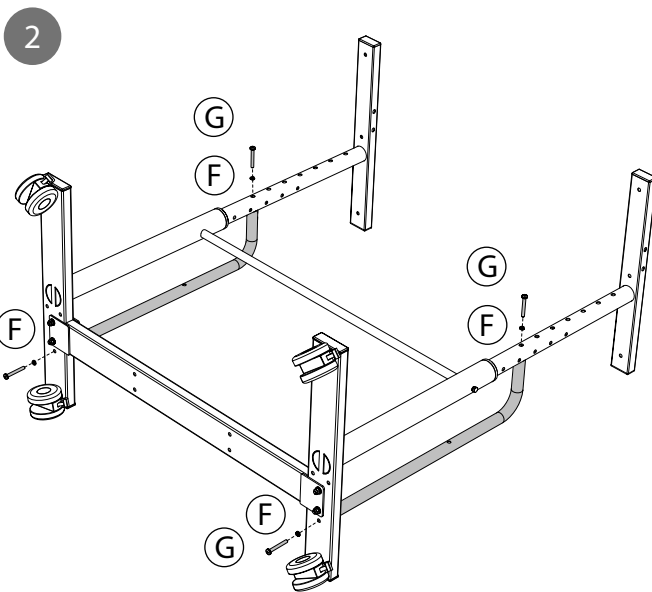
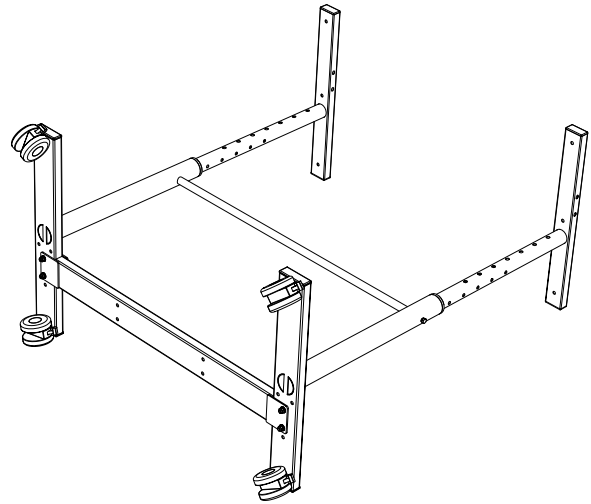
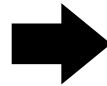
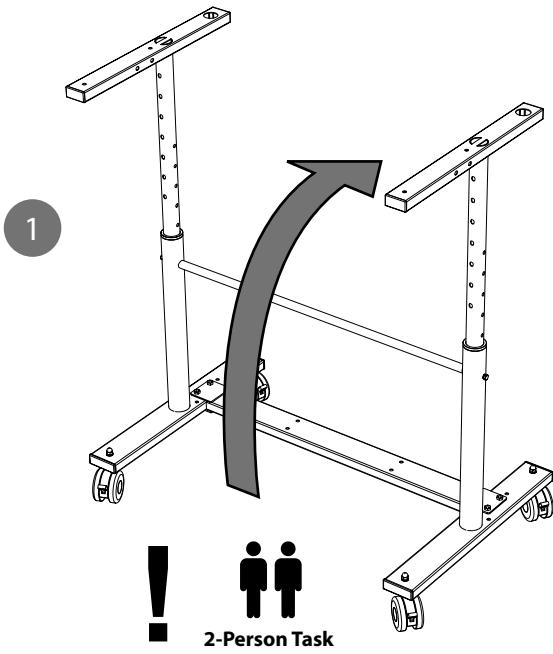
Actual Size:



You will need: (Not to Scale)



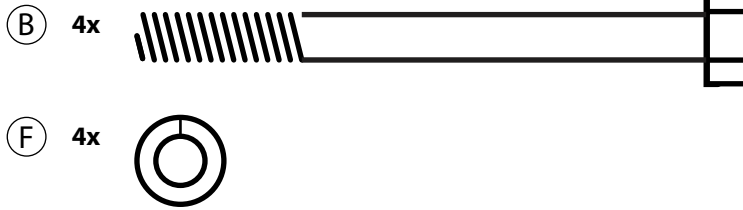
Install Rear Stabilizers



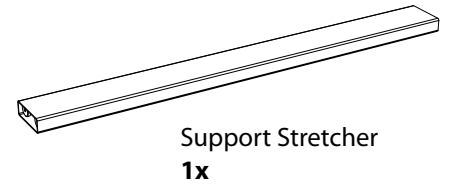
5

2-Person Task

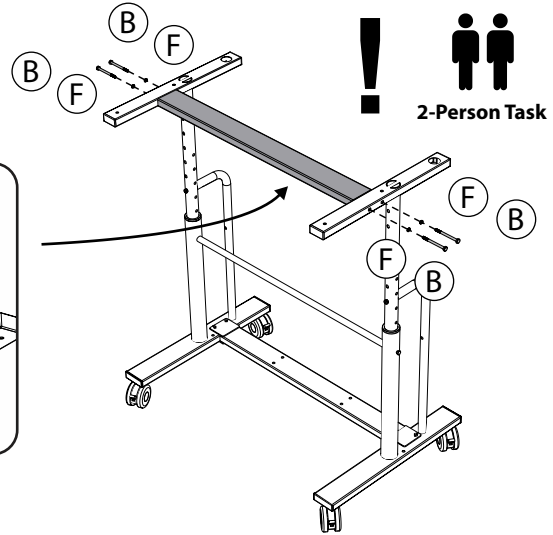
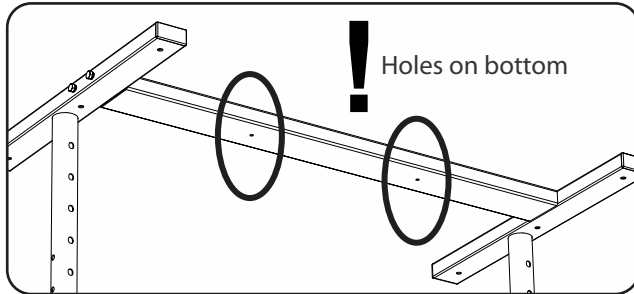
Actual Size:



You will need: (Not to Scale)

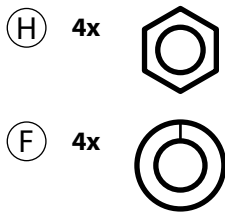


Install Desktop Stretcher

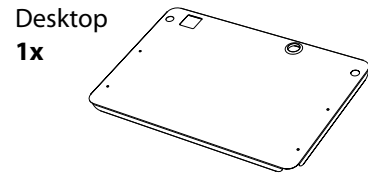


6

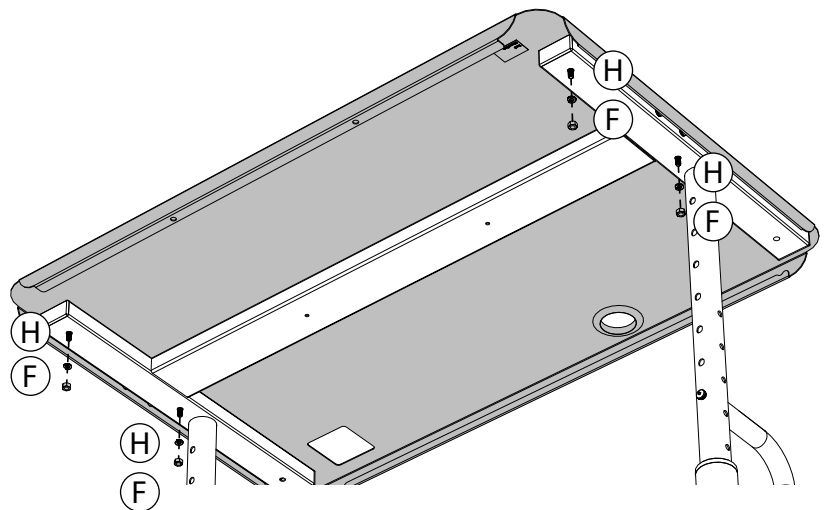
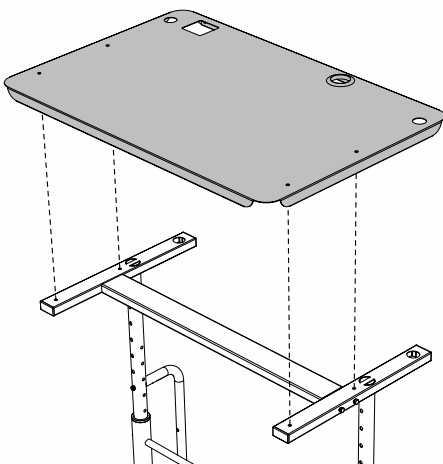
Actual Size:



You will need: (Not to Scale)



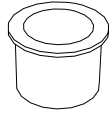
Install Desktop



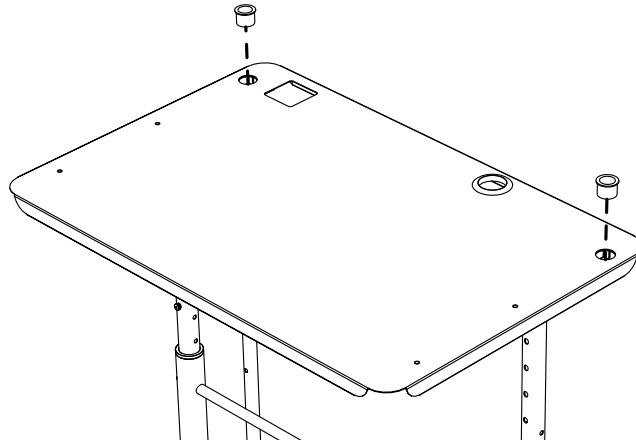
7

You will need: (Not to Scale)

Bushing
2x



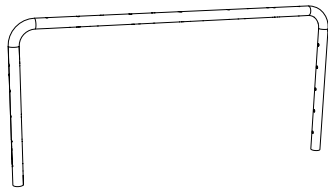
Add Bushings



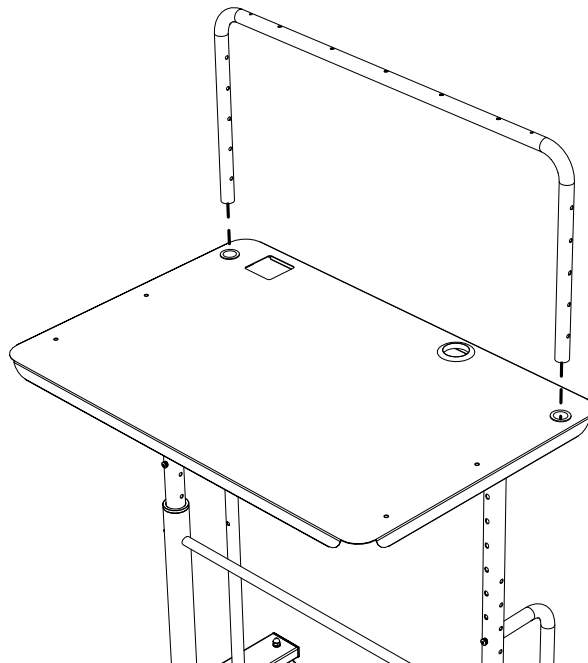
8

You will need: (Not to Scale)

Accessory Bridge
1x

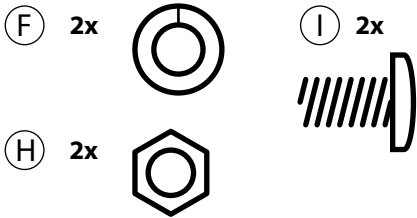


Install Accessory Bridge

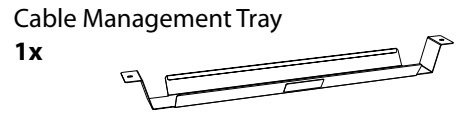


9

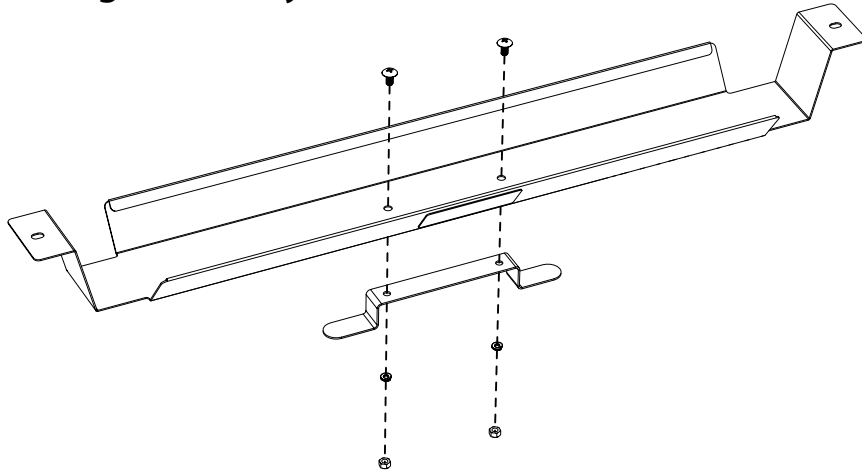
Actual Size:



You will need: (Not to Scale)

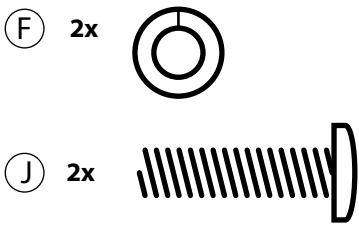


Assemble Cable Management Tray and Cable Hook

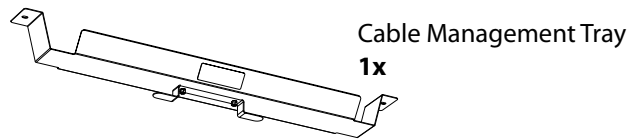


10

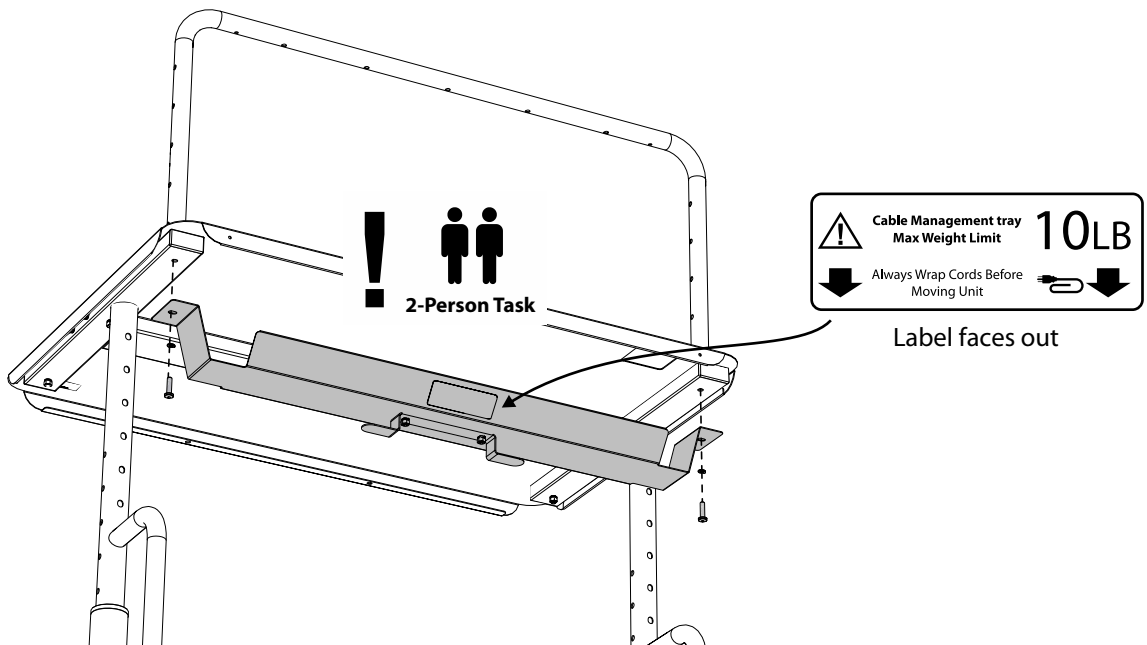
Actual Size:



You will need: (Not to Scale)



Attach Cable Management Tray



11

You will need: (Not to Scale)

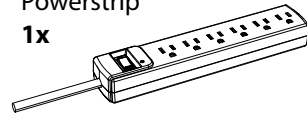
Hook-Loop (Loop Side)
2x



Hook-Loop (Hook Side)
2x

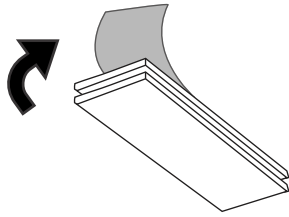


Powerstrip
1x

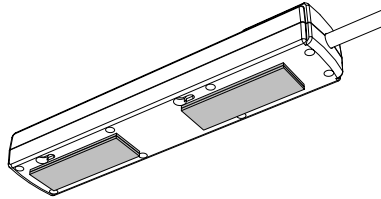


Attach Hook-Loop to Powerstrip

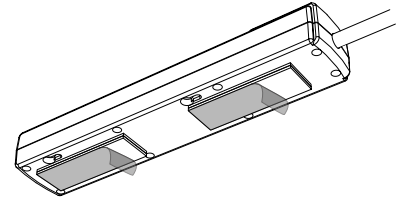
1 Press loop side and hook side together. Remove the clear plastic backing from one side.



2 Apply adhesive side of hook-loop to underside of powerstrip.

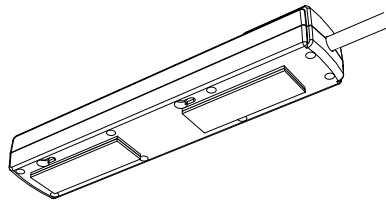


3 Remove remaining clear plastic backing from hook-loop.



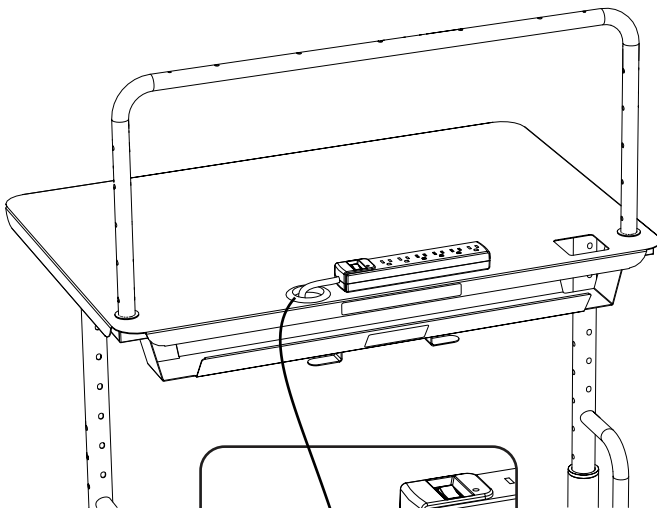
12

You will need: (Not to Scale)

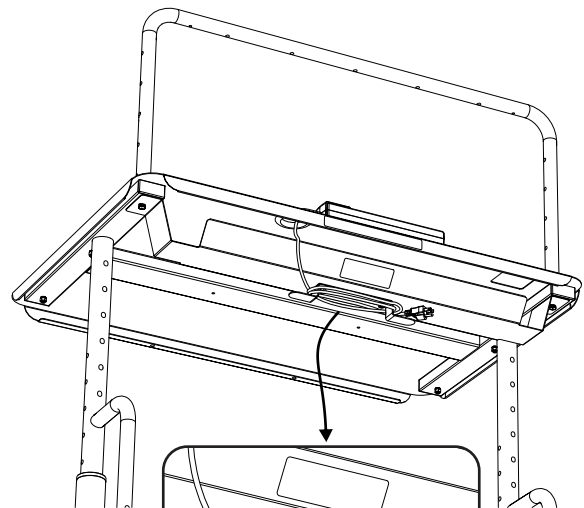


Powerstrip
1x

Attach Powerstrip to Desktop



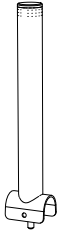
Route cable through grommet



Wrap cables around cable hook

13

You will need: (Not to Scale)



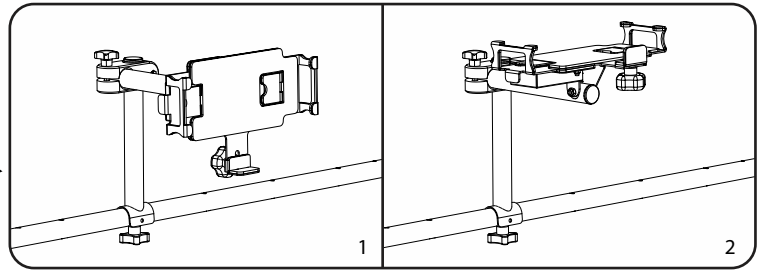
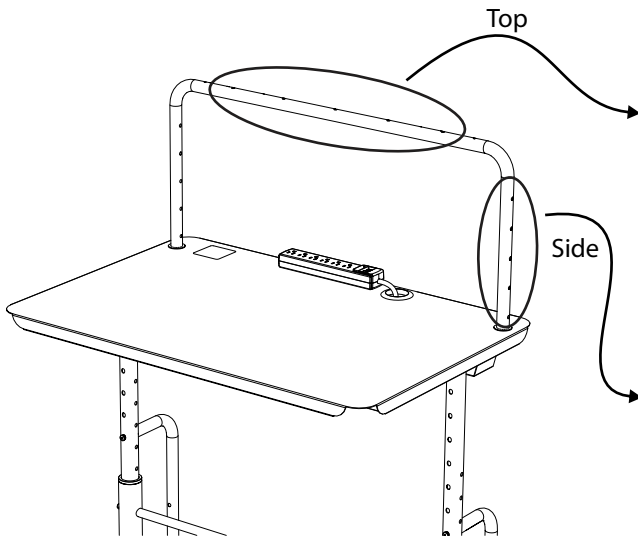
Tablet Holder Vertical
1x

1/4"-20 Knob
1x

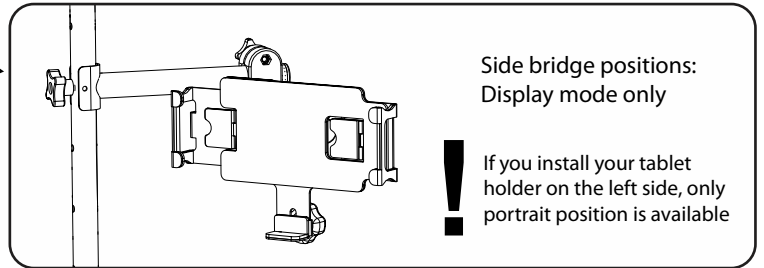


Assemble Tablet Holder Vertical

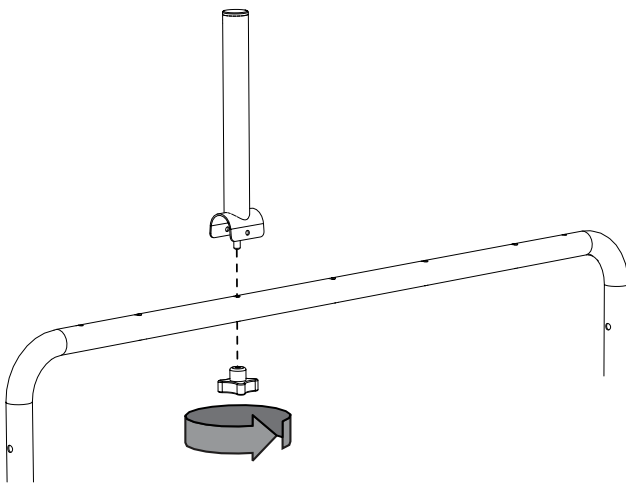
- 1 Choose where you want to setup your tablet holder mount



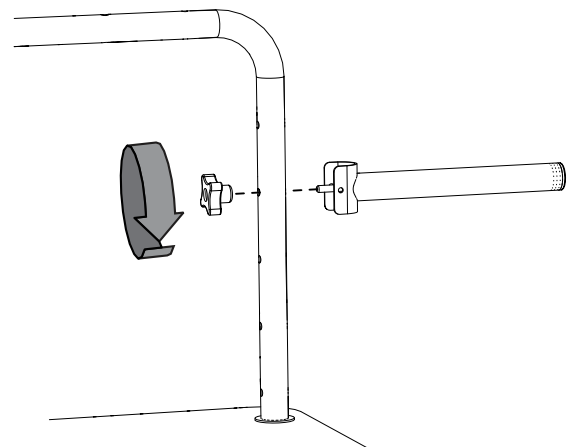
Top bridge positions: document camera (1) and display (2) modes



- 2 Fasten tablet holder vertical firmly to accessory bridge



OR

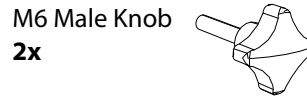


14

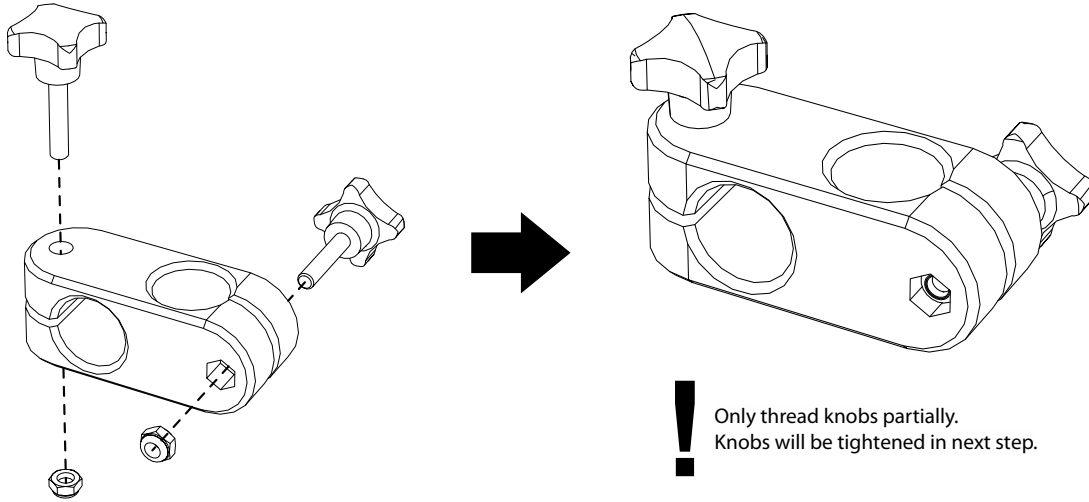
Actual Size:



You will need: (Not to Scale)



Assemble Connector

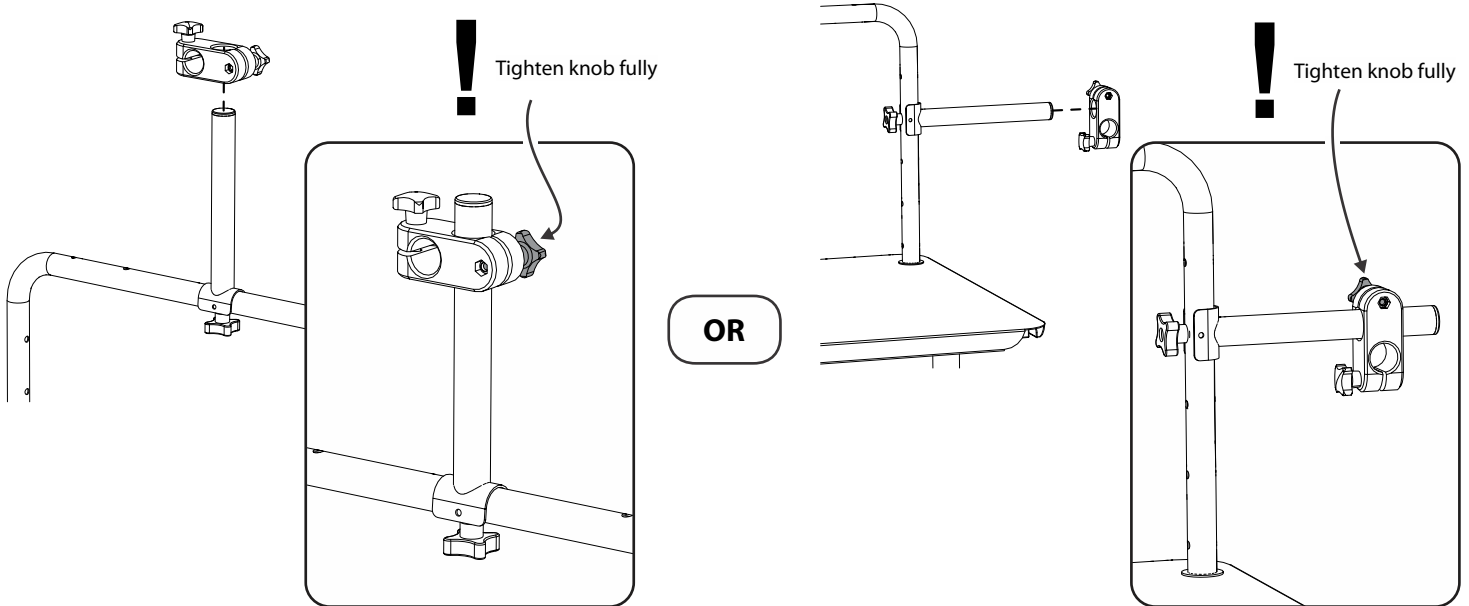


15

You will need: (Not to Scale)



Attach Connector to Arm

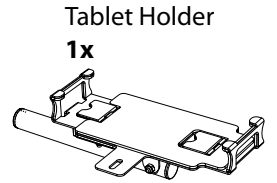
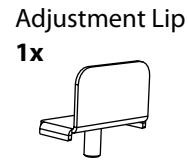
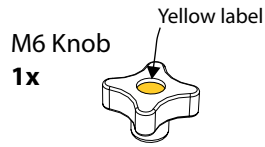


16

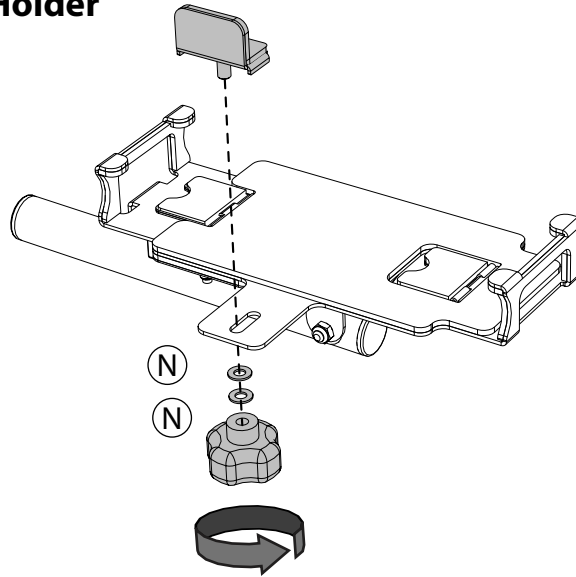
Actual Size:



You will need: (Not to Scale)

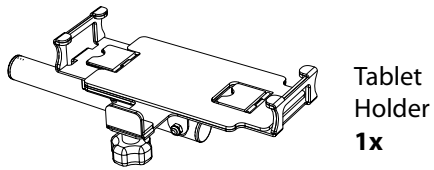


Assemble Lip to Tablet Holder

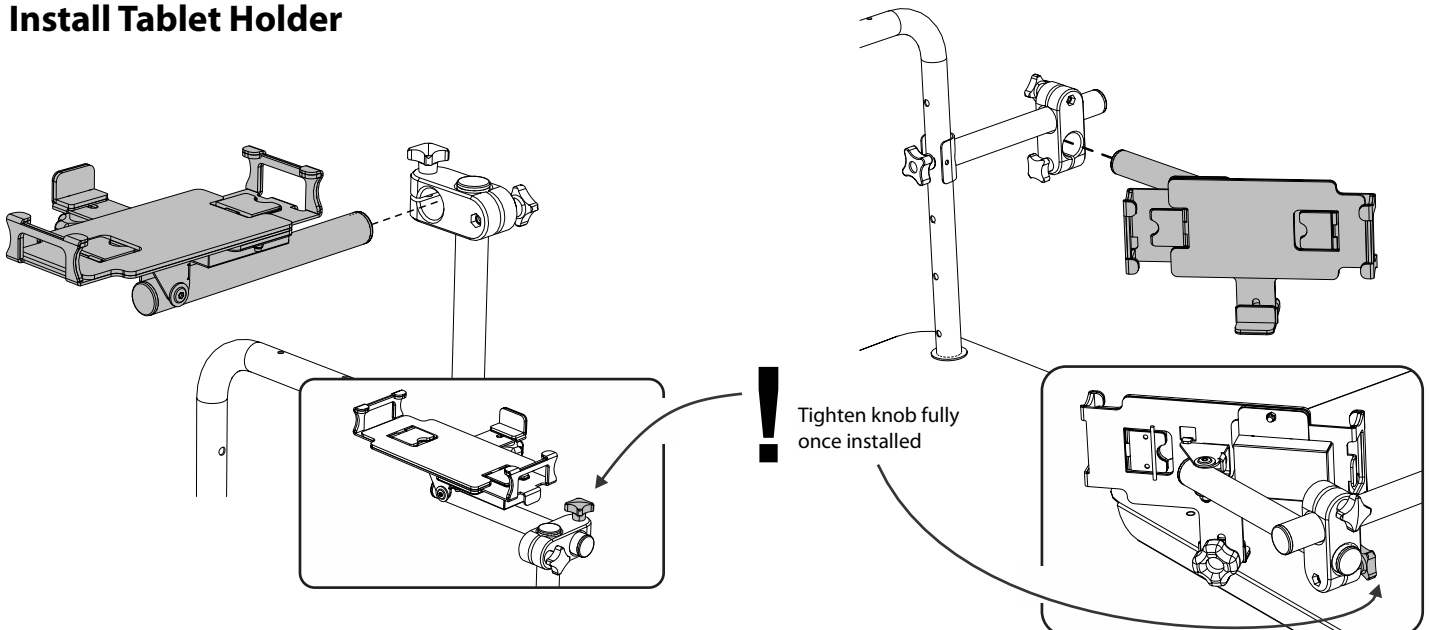


17

You will need: (Not to Scale)



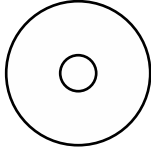
Install Tablet Holder



18

Actual Size:

(M) 1x



You will need: (Not to Scale)

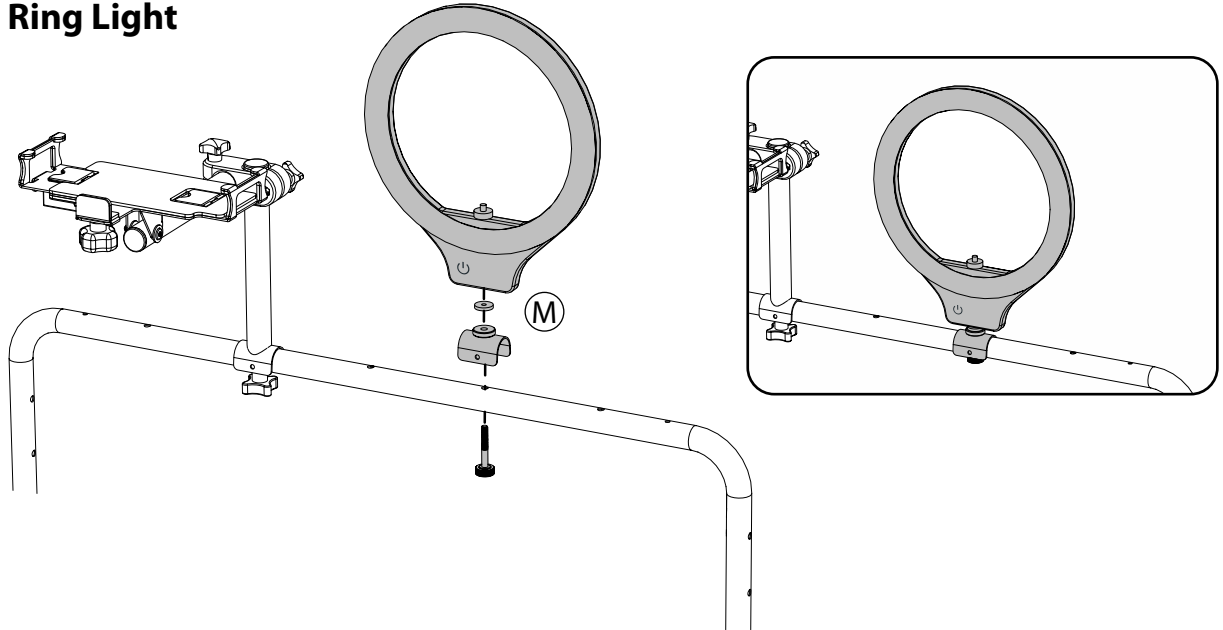
Ring Light
1x



1/4" Male Knob
1x



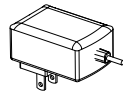
Assemble Ring Light



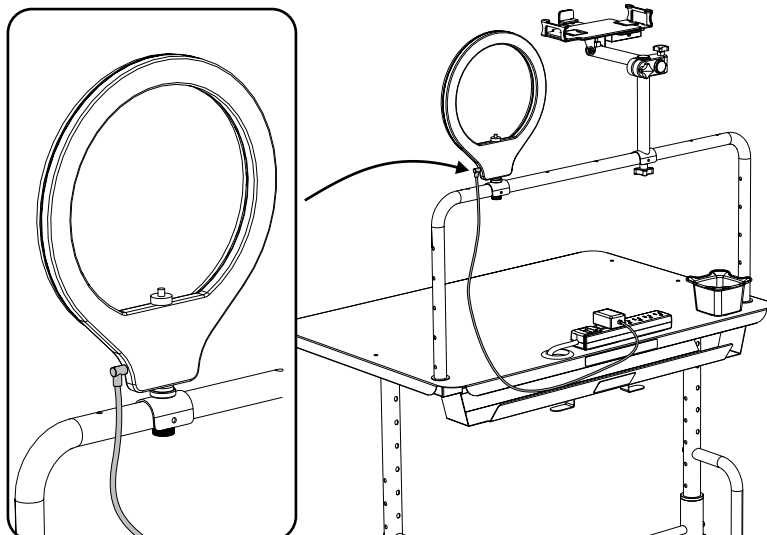
19

You will need: (Not to Scale)

Ring Light Adapter
1x



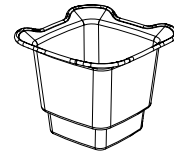
Connect Ring Light Power Cord



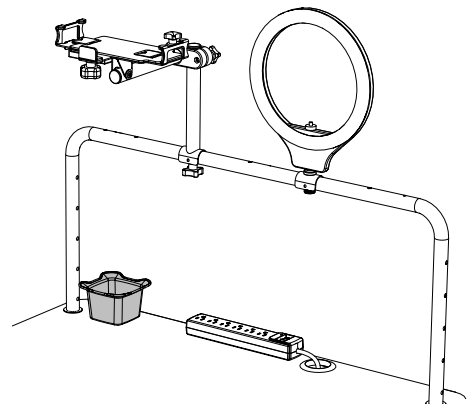
20

You will need: (Not to Scale)

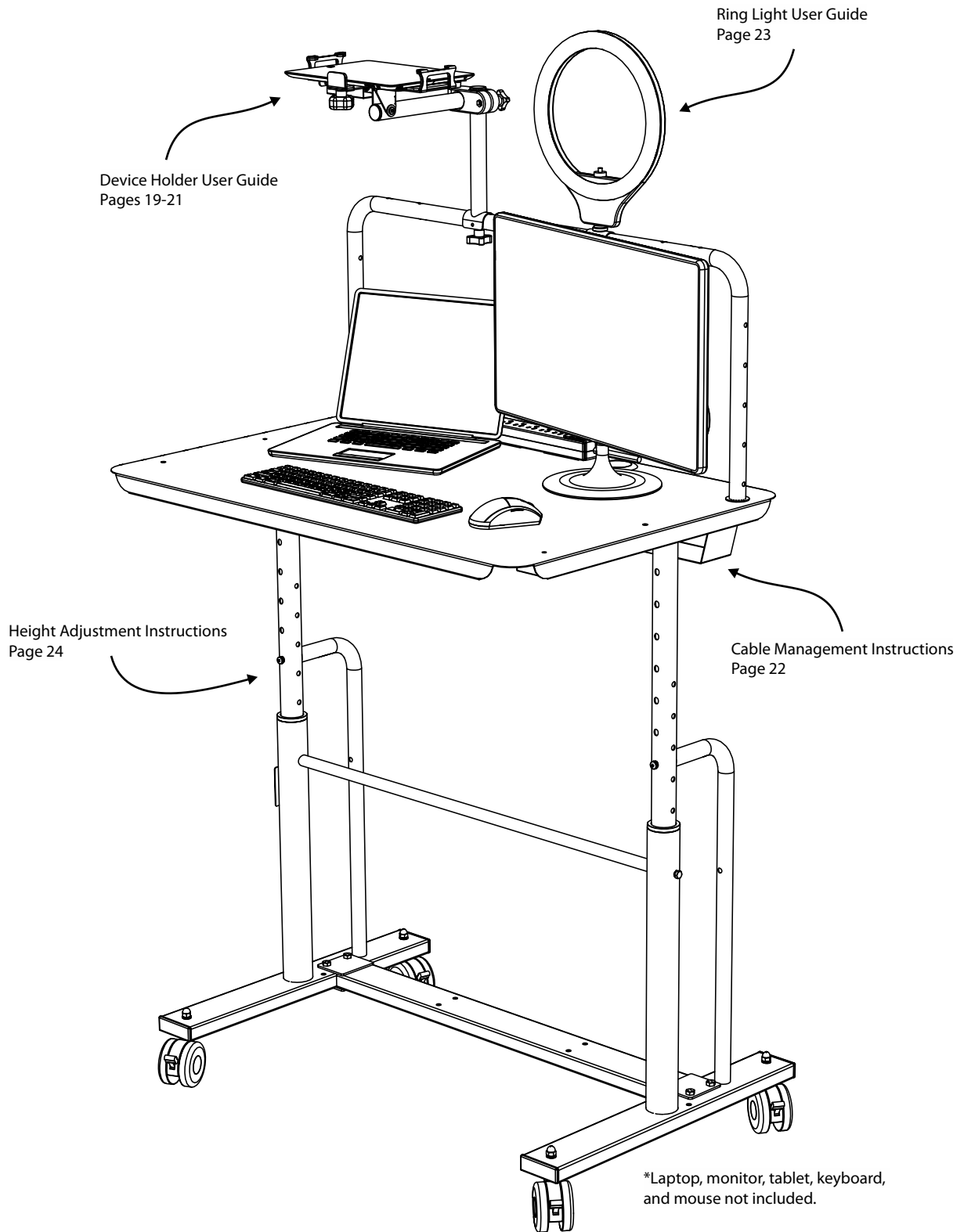
Tiny
Tub
1x



Insert Tiny Tub



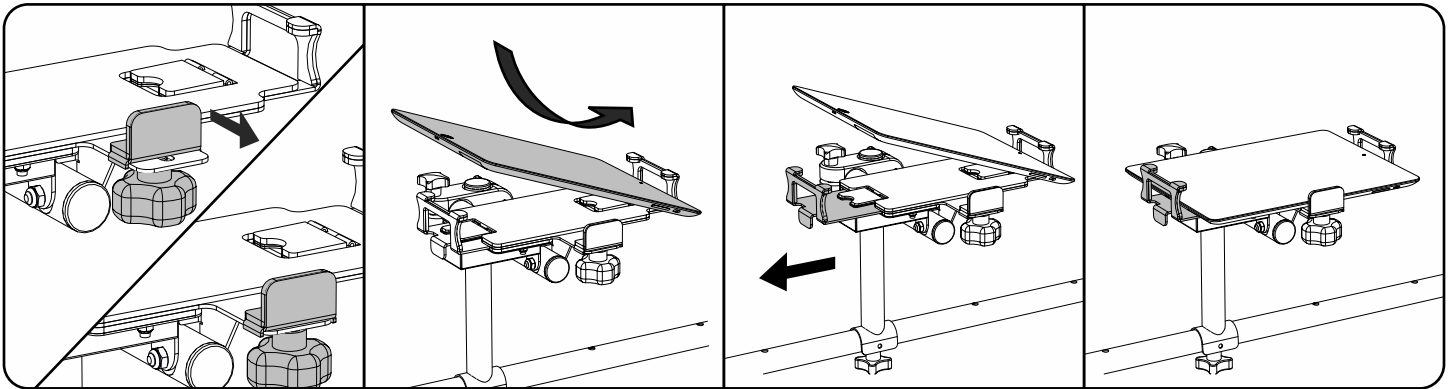
User Guide



Device Holder User Guide

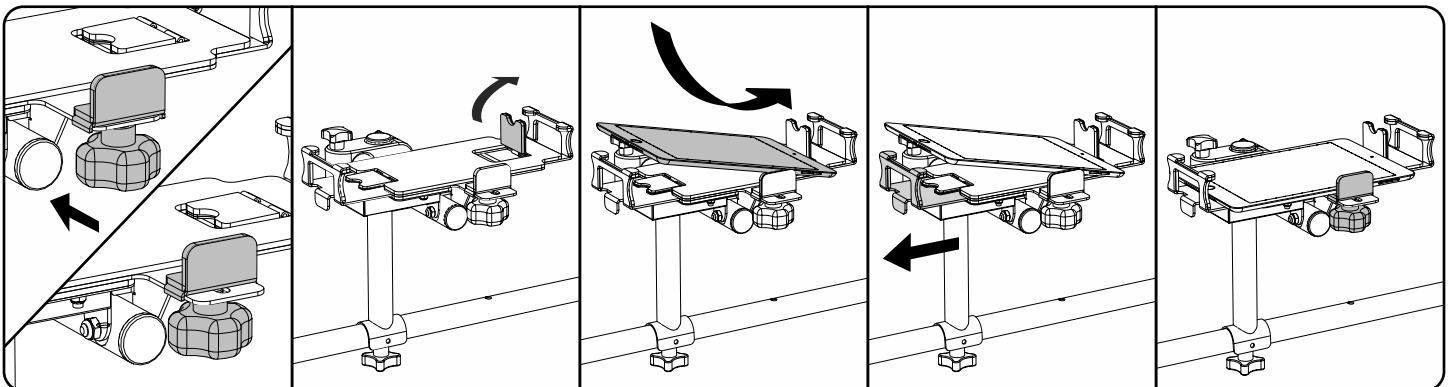
To Insert Device

10" Tablet



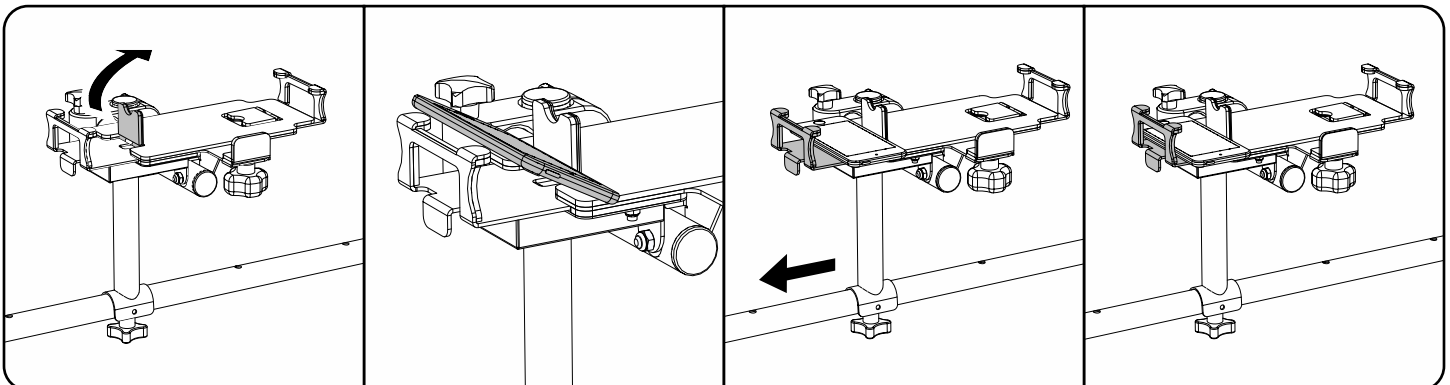
- 1 Slide adjustment lip out and tighten
- 2 Insert device
- 3 Pull handle
- 4 Lay device flat and release handle

7" Tablet



- 1 Slide adjustment lip in and tighten
- 2 Lift paddle
- 3 Insert device
- 4 Pull handle
- 5 Lay device flat and release handle

Smartphone

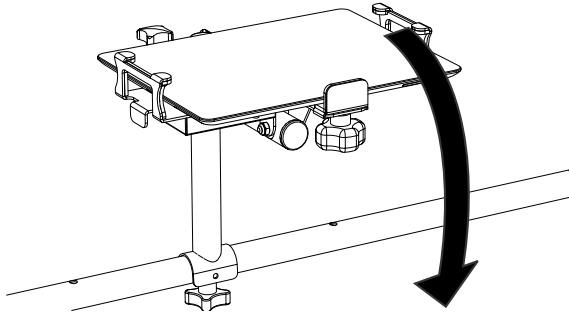


- 1 Lift paddle
- 2 Insert device
- 3 Pull handle
- 4 Lay device flat and release handle

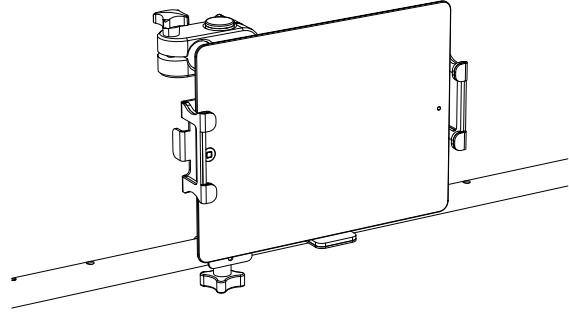
Device Holder User Guide

Change Modes

To change from display mode to document camera mode, hold top mechanism and tilt down.



Document camera mode

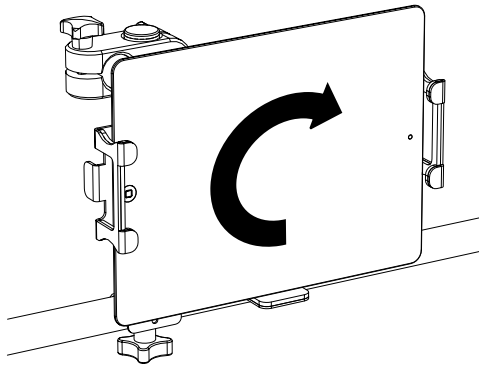


Display mode

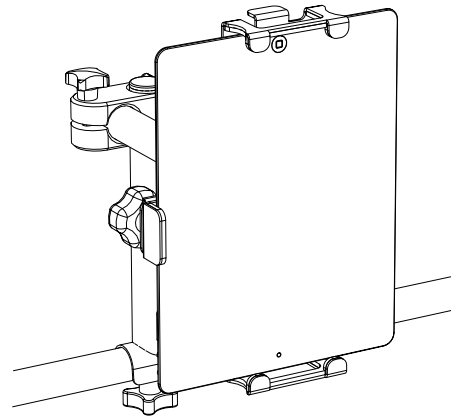
Change Orientation

To change from landscape orientation to portrait orientation, hold top mechanism rotate counter-clockwise.

Top Bridge Position

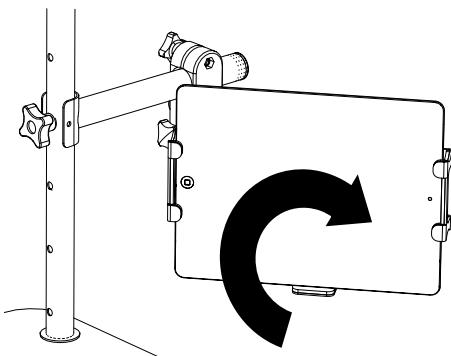


Landscape mode

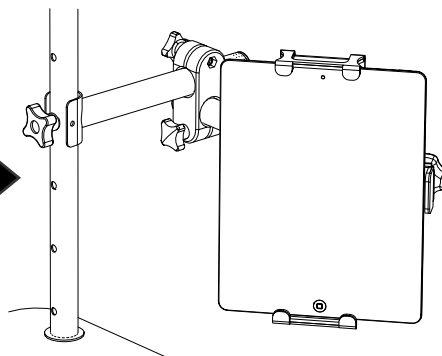


Portrait mode

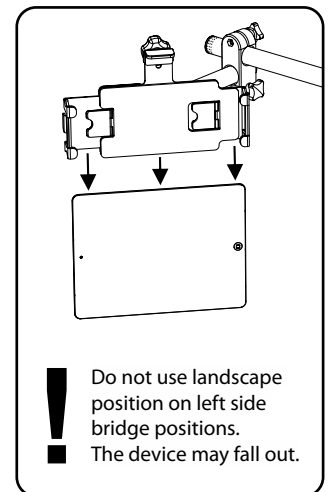
Side Bridge Position



Landscape mode

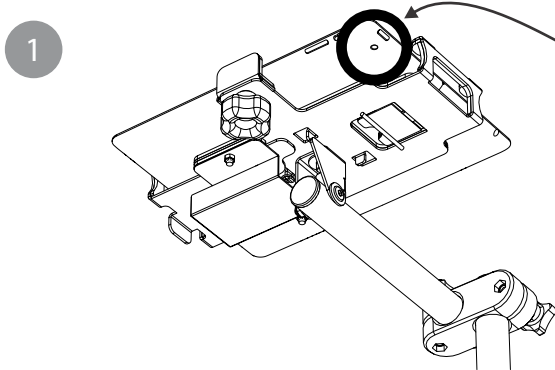


Portrait mode



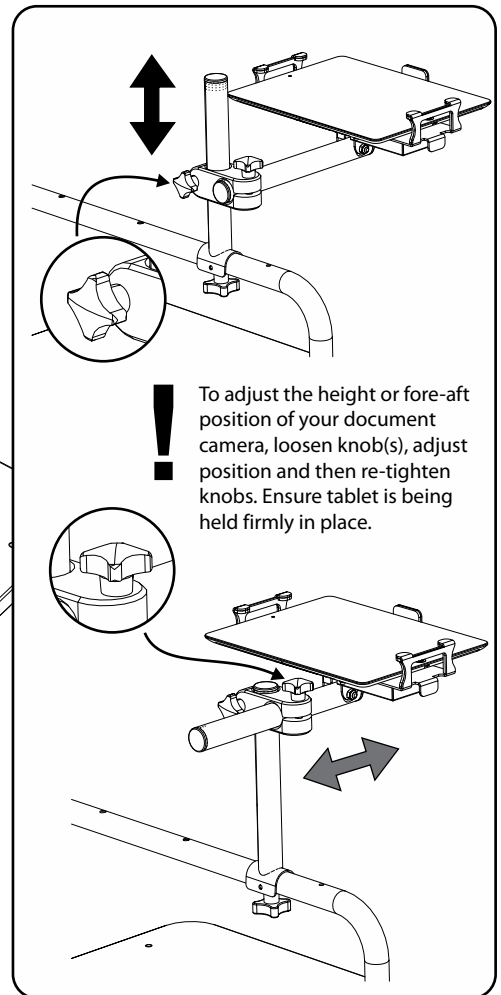
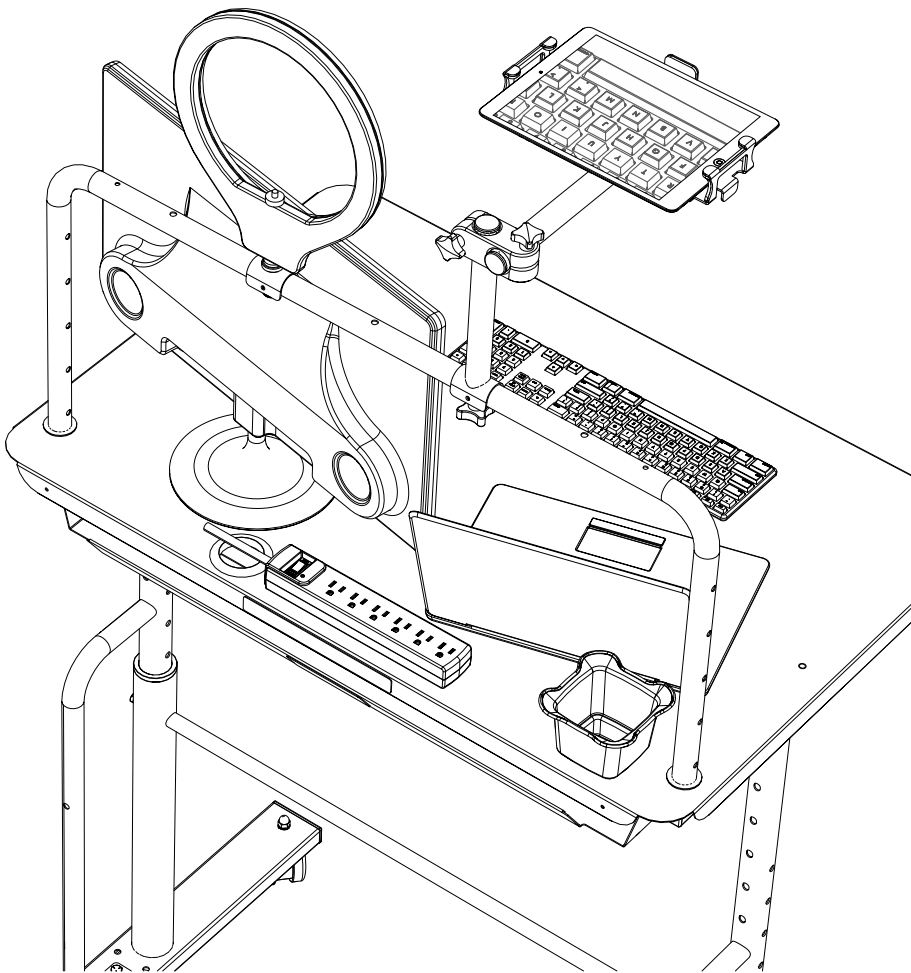
Device Holder User Guide

How to use in Document Camera Mode



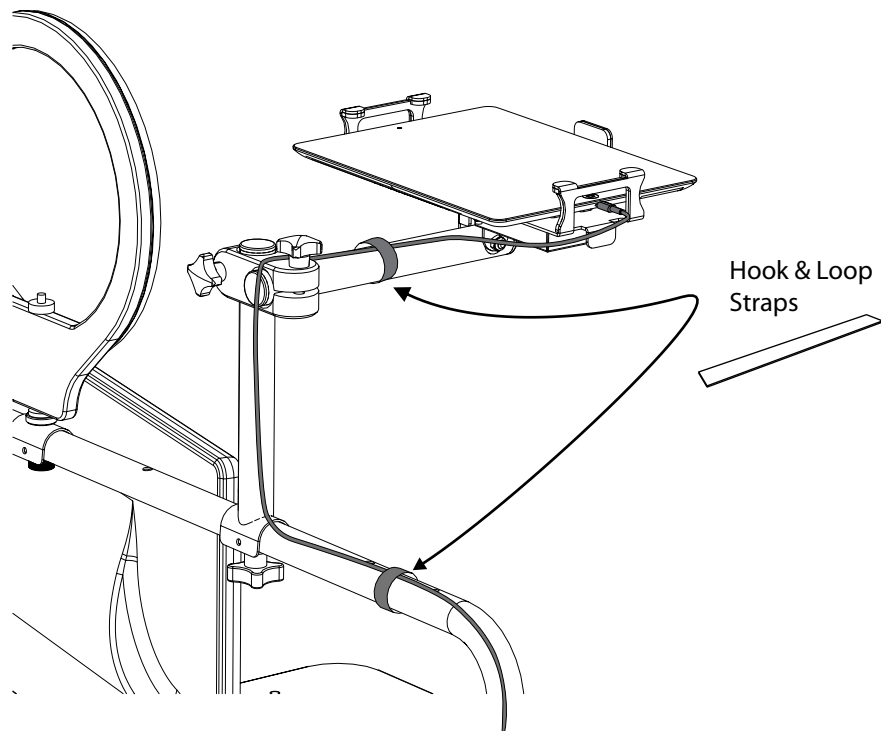
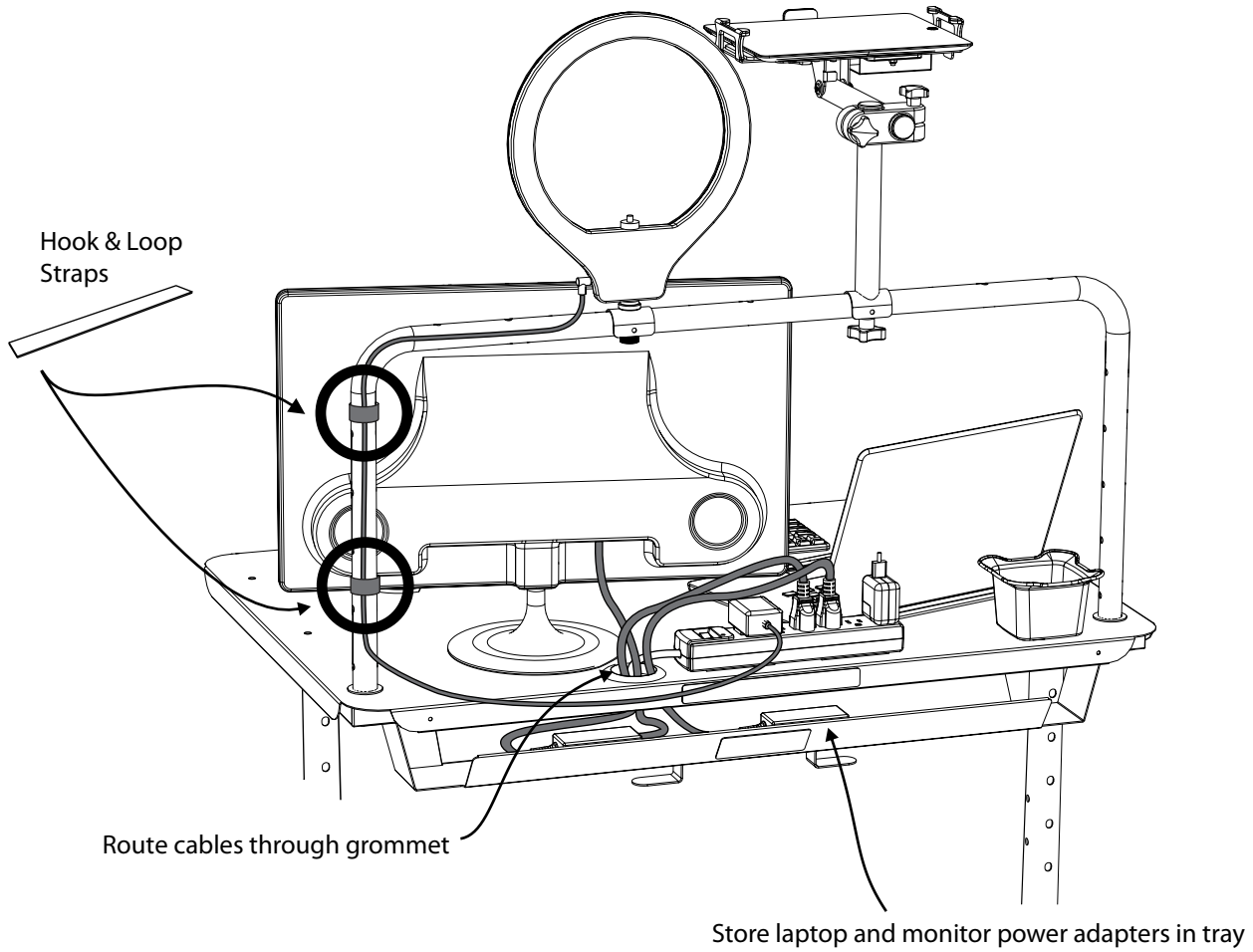
Ensure rear camera is at the front of the tablet holder

2 Open camera application to begin using your tablet as a document camera.



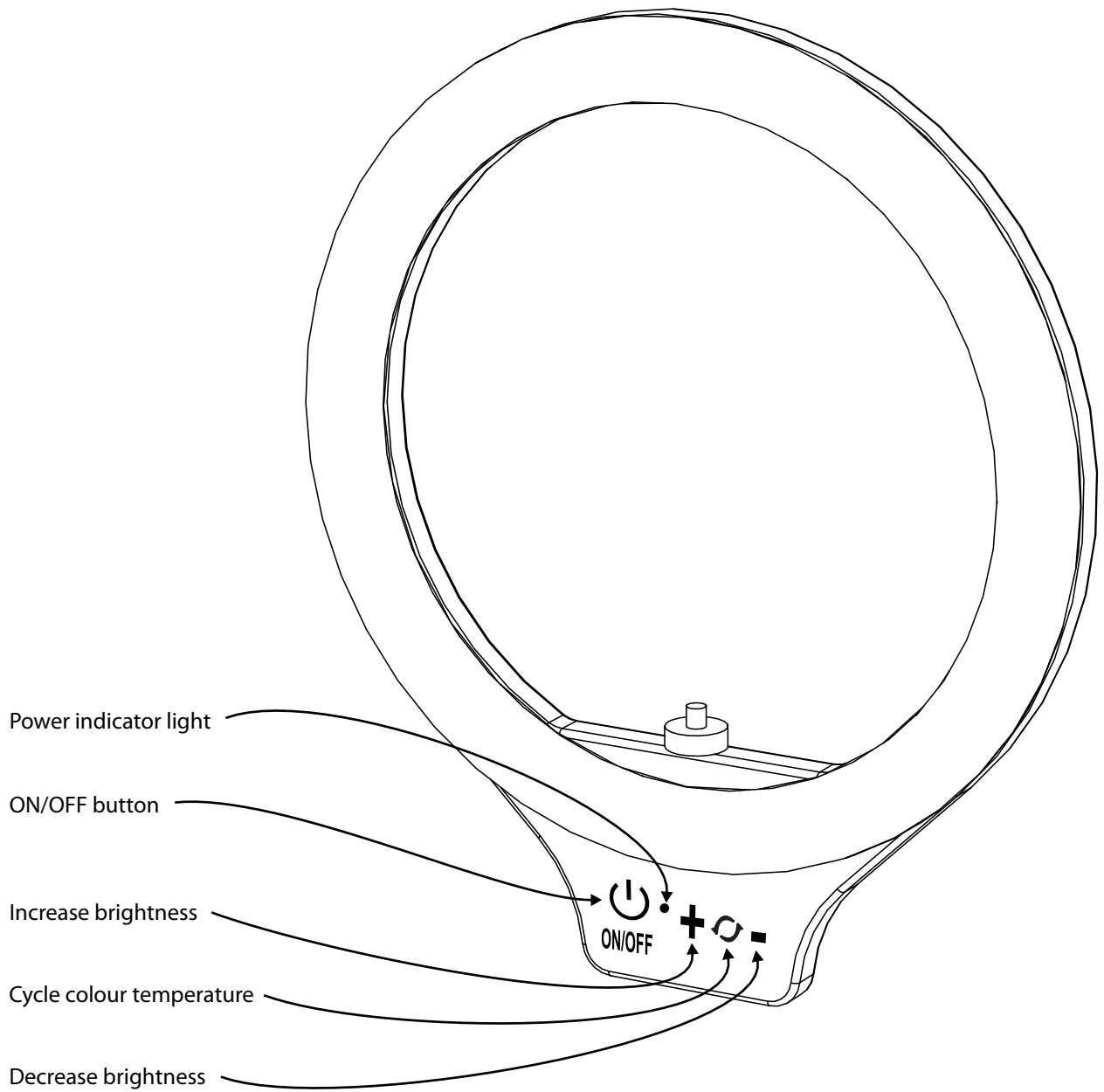
Cable Management

How to Setup Your Workstation



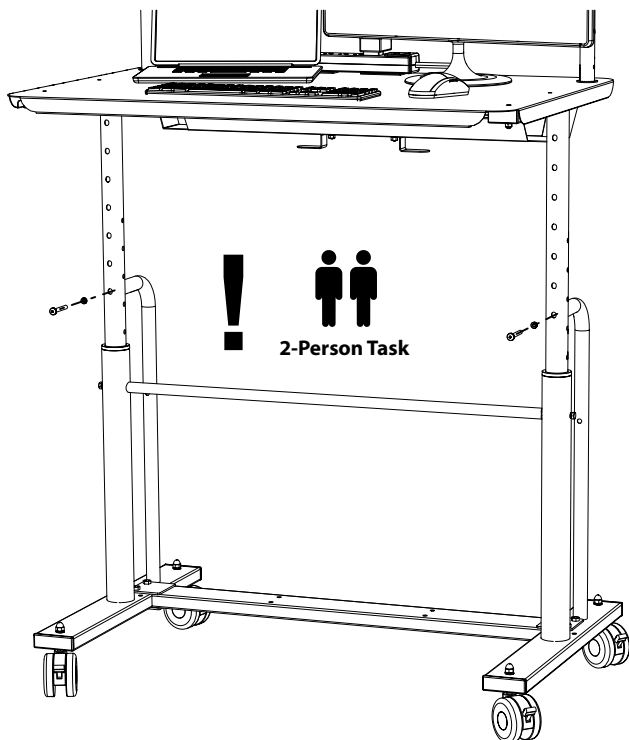
Ring Light

How to Operate Your Ring Light

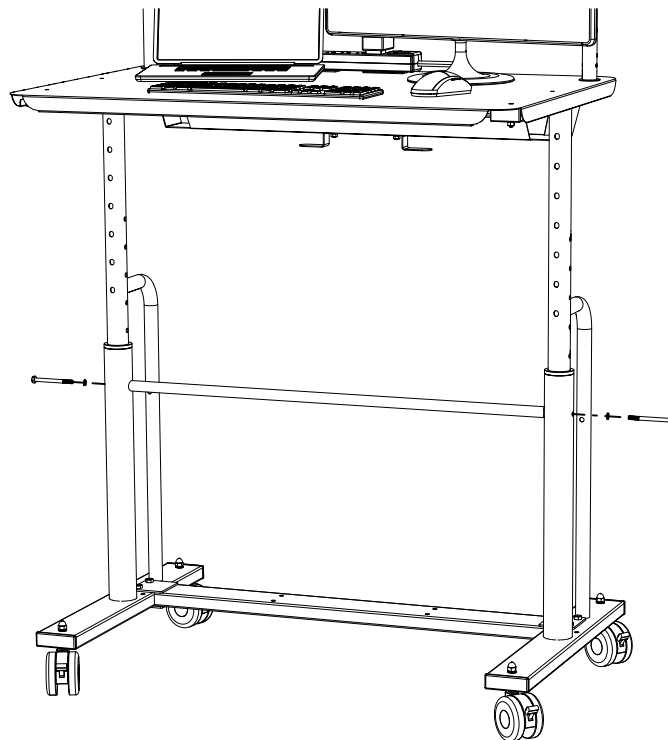


Desktop Height Adjustment

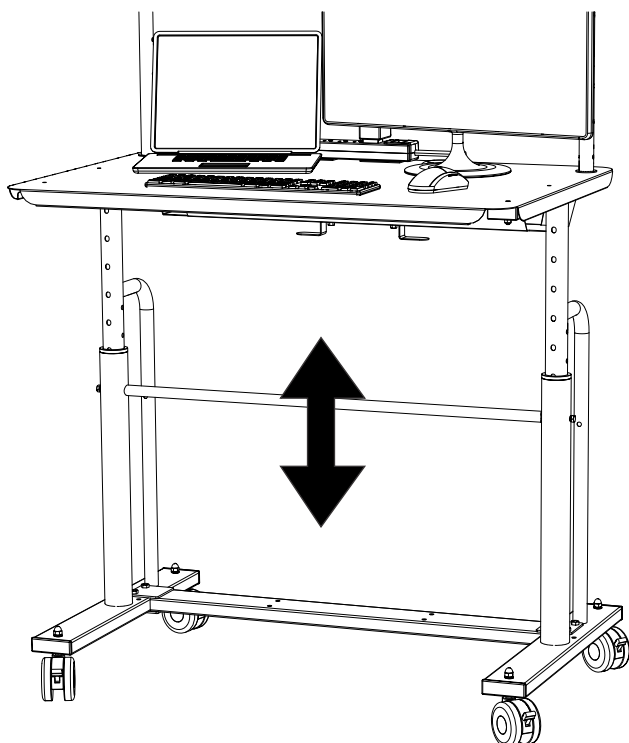
How to Change Desk Height



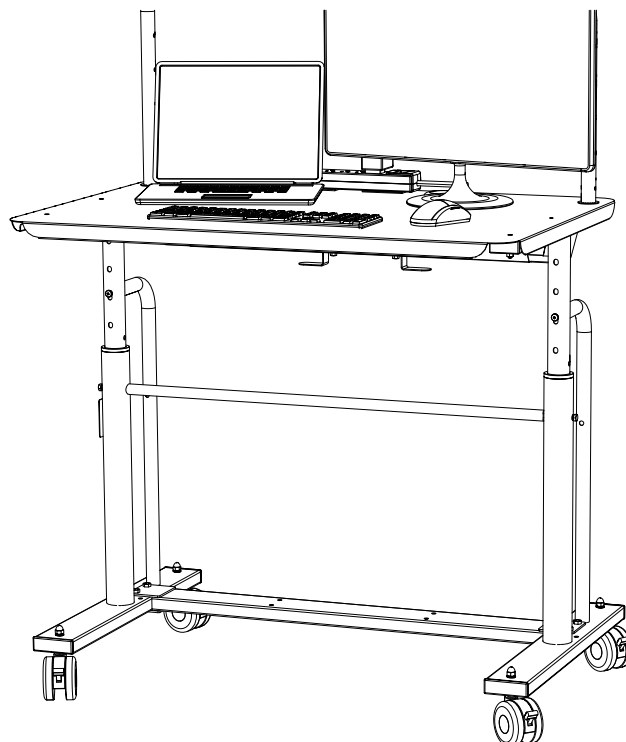
1 Attention! Steps 1-4 require two people. Remove rear stabilizer hardware.



2 While holding on to desktop, remove stretcher hardware.



3 Adjust height as needed



4 Replace hardware and tighten fully