

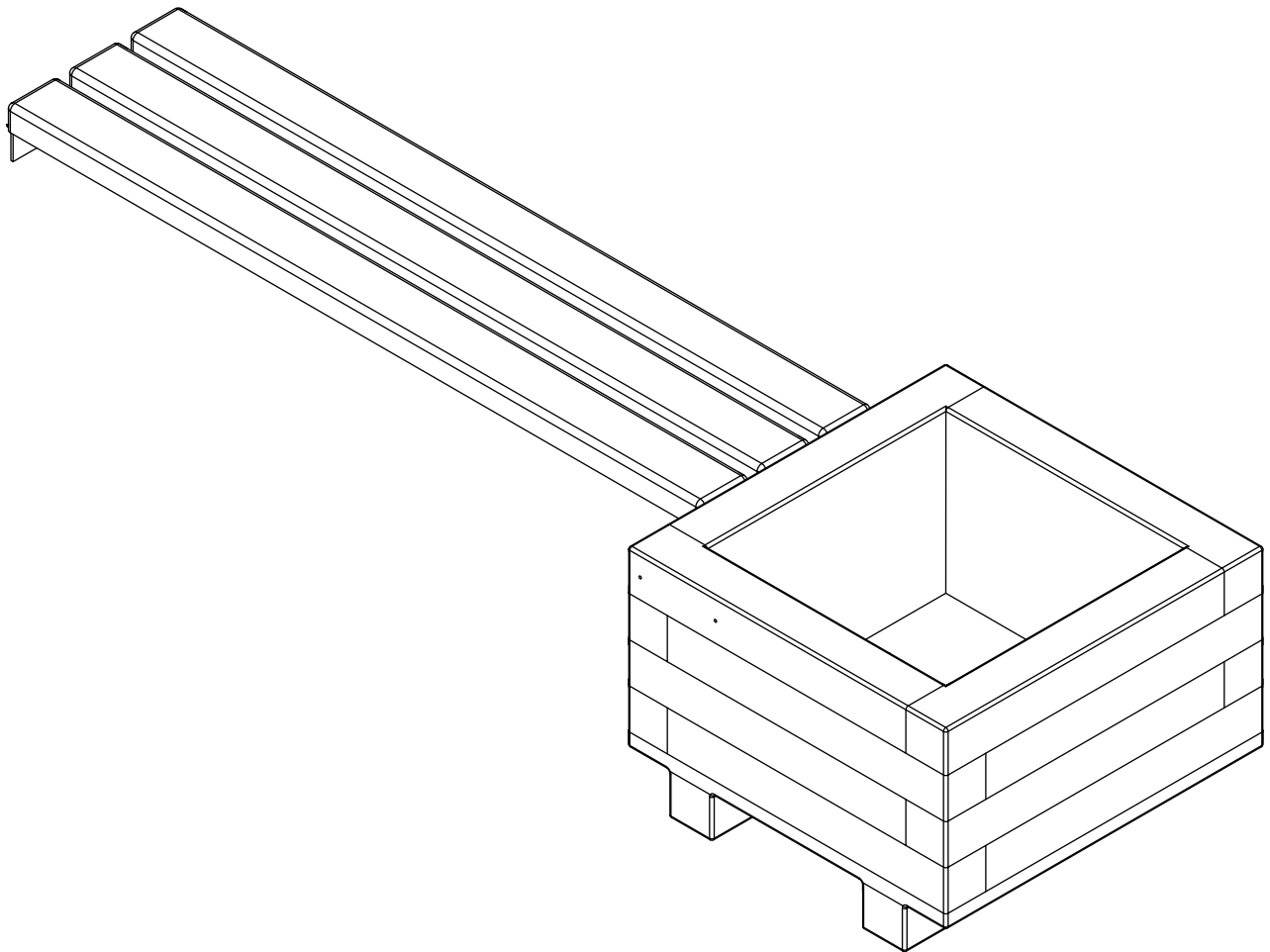


Assembly Guide

Check out our other products online at www.copernicused.com

For assistance, please contact us by telephone at **1-800-267-8494** or email at info@copernicused.com.

Have your packing slip ready for reference.



Customer Service & Warranty Information

Dear Educator,

Thank you for purchasing the Outdoor Planter Bench. We hope it meets your expectations and you and your students enjoy using it at your school.

Every day we see and hear stories of teachers going above and beyond to help students thrive. Thank you so much for all you do – you are awesome, and you make a difference.

Thank you for inspiring us.

If you have any questions, concerns or ideas on how we can improve please let us know by contacting our Customer Solutions Ninjas at 1-800-267-8494 or info@copernicused.com.

Happy teaching,

Kaylyn Belcourt, President
kaylyn@copernicused.com



We do not inherit the earth from our ancestors, we borrow it from our children.

- NATIVE AMERICAN PROVERB

Change is the end result of all true learning.

- LEO BUSCAGLIA

What you leave behind is not what is engraved in stone monuments, but what is woven into the lives of others.

- PERICLES

Education is the most powerful weapon which you can use to change the world.

- NELSON MANDELA

For missing parts and other issues regarding your product:

Please contact Customer Service, where we will be happy to help.
Telephone: 1-800-267-8494, Monday - Friday 8:00am - 4:30 pm EST
Email: info@copernicused.com

**Need Support?
Have a Question?**



Email [Customer Service](mailto:CustomerService)

**Check out some of our
other great products!**



www.copernicused.com

Lifetime
Warranty

Register your Product

Registering your warranty ensures we have all the information we need to make any future warranty claims quick and easy. Please visit www.copernicused.com/warranty and complete the form within 10 business days from product assembly. By registering your product, you will be entered into a draw to win Copernicus product.

Make a Warranty Claim

We offer a Lifetime Warranty on almost everything we make. Please call **1-800-267-8494** or email info@copernicused.com to start your warranty claim. Proof of purchase will be required upon warranty claim (i.e. copy of invoice).

Tips for Assembly

Before You Begin:

- Lay out and identify all of the included parts.
- The hardware has been packed according to together in one bag.
- Read the assembly guide over once to familiarize yourself with them.

As You Assemble the Unit:

- Follow the steps in sequence.
- Before beginning each step, find the part(s) that you need for that step.
- The title of each step states what you will be doing. Review the text and the pictures as you build the unit.

Watch for These Helpful Symbols:



For safety, please have someone help you when working on steps displaying this symbol.



The symbol denotes a step needing extra attention to ensure it is done correctly.



Important Information! Warning!

Please read the warnings below for important safety information regarding your product. Failure to read these warnings or to follow the instructions below could result in personal injury or damage to your product that could void your warranty.



Small Parts

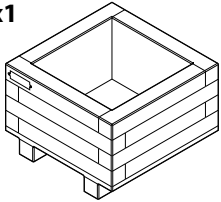
In its unassembled state, this product contains parts that can be hazardous to small children. This product should be assembled by an adult.

Parts

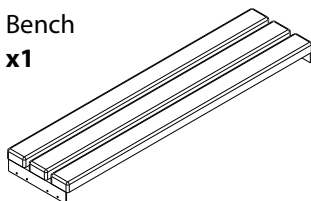
Before beginning, you should have:

Box 1

Planter
x1




Bench
x1




Hardware
Actual Size

(A) #10 x 2-3/4 (M4x70) wood screw,
button head, torx drive T25
4x

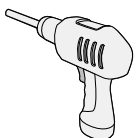


Additional tools required
(not included):


Pencil
1x



Drill with 1/8" (3mm)
drill bit
1x



Included

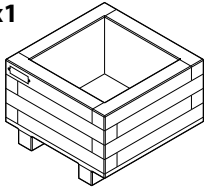


1

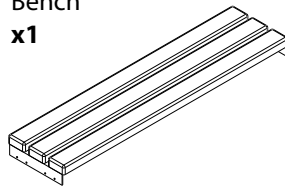
3-Person Task

You will need: (Not to Scale)

Planter
x1



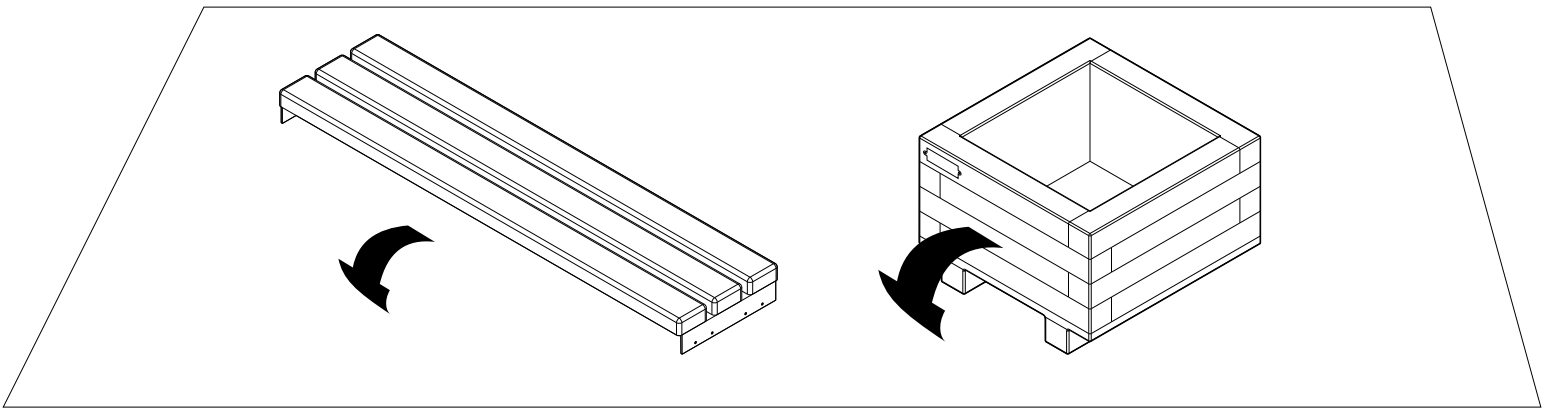
Bench
x1



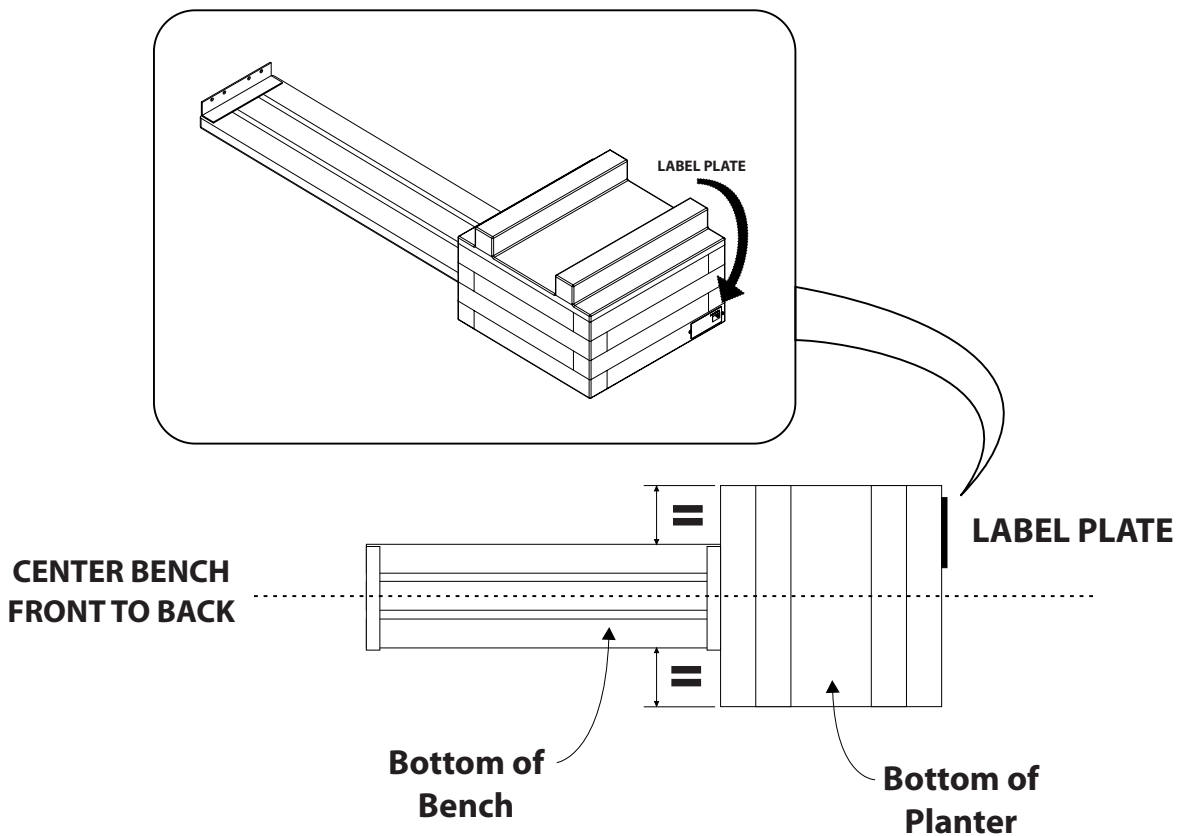
FASTEN BENCH COMPONENTS TOGETHER

A Flip all parts upside down

USE A FLAT SURFACE



B Align parts before fastening together



1 Cont.



3-Person Task

Actual Size:

(A) 4x



You will need: (Not to Scale, Not Included)

Pencil

1x



Drill with 1/8" (3mm)

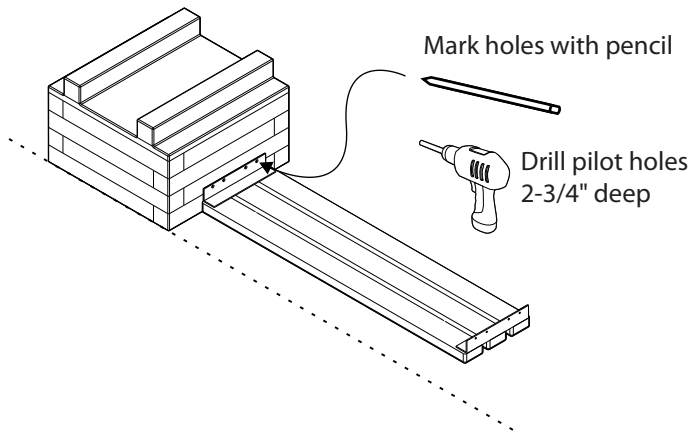
drill bit

1x

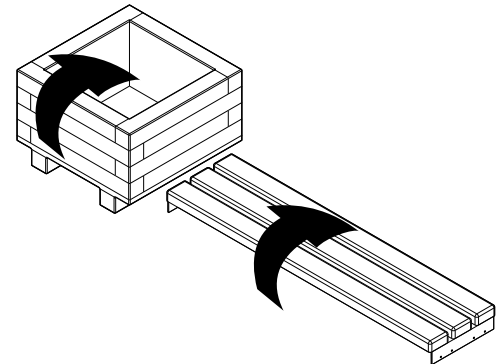


FASTEN BENCH COMPONENTS TOGETHER, CONT.

C Mark hole locations and drill pilot holes



D Flip all components right side up



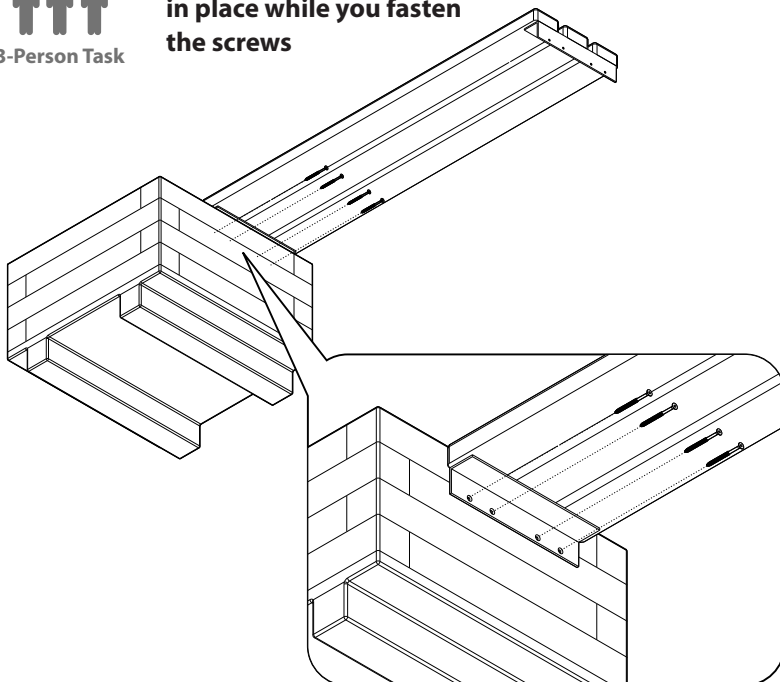
BEFORE YOU FASTEN THE PARTS TOGETHER, MOVE PLANTERS AND BENCH TO THE LOCATION WHERE THEY WILL BE SETUP.

E Fasten bench to planter

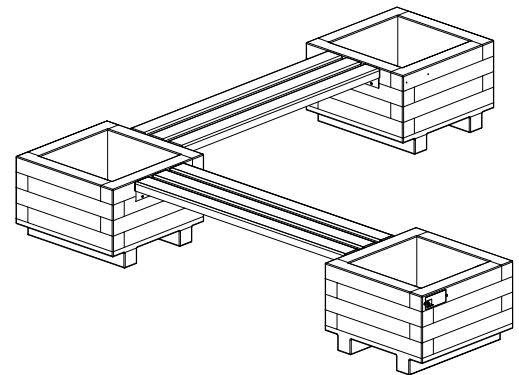


3-Person Task

Ask someone to hold the bench in place while you fasten the screws



F Follow steps A-E to fasten add-on to existing bench



YOUR PLANTER BENCH IS NOW READY FOR SOIL AND PLANTS