



Assembly Guide

Check out our other products online at www.copernicused.com

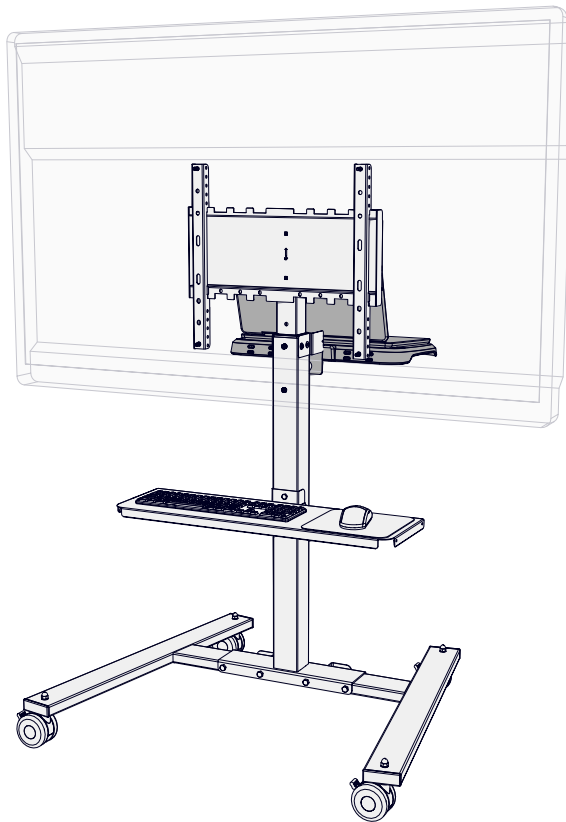
For assistance, please contact us by telephone at **1-800-267-8494** or email at info@copernicused.com.

Have your packing slip ready for reference.

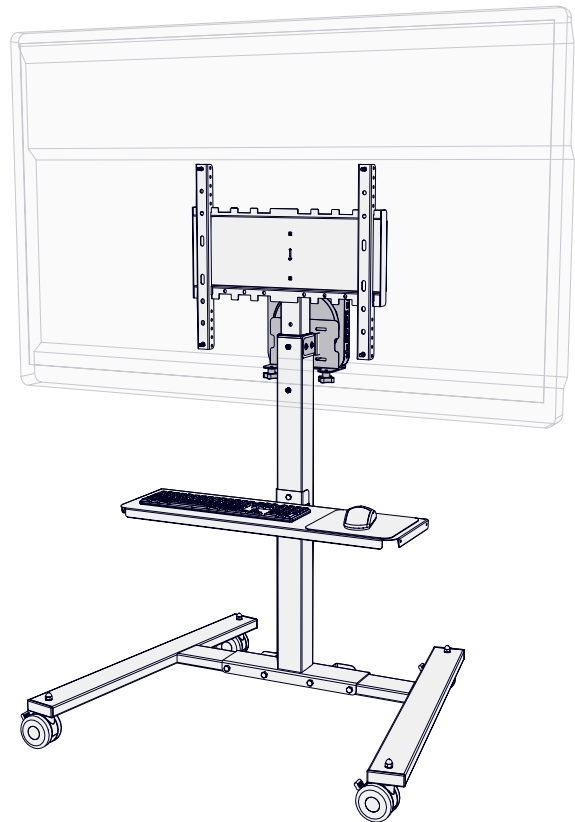
WARNING !

- This product is meant to be assembled by an adult.
- In its unassembled state, small parts present a hazard.
- To be used under direct supervision of an adult.
- This cart is intended for institutional use.

IFP600 (with Laptop Tray)



IFP650 (with Mini PC Mount)



Shown with 55" Flat Panel (TV and accessories sold separately)



Warning – Supports a maximum screen size of 55".

Warning – For use with flat panel screens weighing 80 lbs (36.3 kg) or less. Use with heavier flat panel screens may result in instability causing tip over resulting in death or serious injury.



Avertissement – Peut supporter une taille d'écran maximale de 55".

Avertissement – À utiliser seulement avec des écrans plats pesant jusqu'à 80 lb (36.3 kg) ou moins. L'utilisation avec des écrans plats plus lourds peut causer une instabilité provoquant un basculement qui risque la mort ou des blessures graves.

Customer Service & Warranty Information

Dear Educator,

Thank you for purchasing the iRover2™ Cart for 30-55in Flat Panels. We hope it meets your expectations and you and your students enjoy using it at your school.

Every day we see and hear stories of teachers going above and beyond to help students thrive. Thank you so much for all you do – you are awesome, and you make a difference.

Thank you for inspiring us.

If you have any questions, concerns or ideas on how we can improve please let us know by contacting our Customer Solutions Ninjas at 1-800-267-8494 or info@copernicused.com.

Happy teaching,

Kaylyn Belcourt, President
kaylyn@copernicused.com



We do not inherit the earth from our ancestors, we borrow it from our children.

- NATIVE AMERICAN PROVERB

Change is the end result of all true learning.

- LEO BUSCAGLIA

What you leave behind is not what is engraved in stone monuments, but what is woven into the lives of others.

- PERICLES

Education is the most powerful weapon which you can use to change the world.

- NELSON MANDELA

For missing parts and other issues regarding your product:

Please contact Customer Service, where we will be happy to help.

Telephone: 1-800-267-8494, Monday - Friday 8:00am - 4:30 pm EST

Email: info@copernicused.com

My flat panel isn't working, who should I call?

Please contact the reseller that you bought the product from.

**Need Support?
Have a Question?**



[Email Customer Service](mailto:info@copernicused.com)

**Check out some of our
other great products!**



www.copernicused.com

Lifetime
Frame Warranty

Register your Product

Registering your warranty ensures we have all the information we need to make any future warranty claims quick and easy. Please visit www.copernicused.com/warranty and complete the form within 10 business days from product assembly. By registering your product, you will be entered into a draw to win Copernicus product.

Lifetime
All Components
Warranty

Make a Warranty Claim

We offer a Lifetime Warranty on almost everything we make. Please call 1-800-267-8494 or email info@copernicused.com to start your warranty claim. Proof of purchase will be required upon warranty claim (i.e. copy of invoice).

Tips for Assembly

Before You Begin:

- Lay out and identify all of the included parts.
- The hardware has been packed according to together in one bag
- Read the assembly guide over once to familiarize yourself with them.

As You Assemble the Unit:

- Follow the steps in sequence.
- Before beginning each step, find the part(s) that you need for that step.
- The title of each step states what you will be doing. Review the text and the pictures as you build the unit.

Watch for These Helpful Symbols:



2-Person Task

For safety, please have someone help you when working on steps displaying this symbol.



The symbol denotes a step needing extra attention to ensure it is done correctly.



Important Information! Warning!

Please read the warnings below for important safety information regarding your product. Failure to read these warnings or to follow the instructions below could result in personal injury or damage to your product that could void your warranty.



Small Parts

In its unassembled state, this product contains parts that can be hazardous to small children. This product should be assembled by an adult.



Adult Supervision

This product is to be used under the supervision of an adult.



Indoor Use Only

This product is intended for indoor commercial use only. To reduce the risk of fire or electric shock, do not expose this product to rain or moisture. The internal components are not sealed from the environment.



Power Strip Specifications

Read your power strip electrical specifications. Only plug in devices that are approved for use with this power strip. Connect the supplied power strip directly to a wall outlet.

Do not connect to another power strip or use an extension cord. Turn off power strip before unplugging. Unplug when not in use.



Electronic Equipment

Read the electrical specifications of any electronic equipment you are using with your Copernicus products. Failure to read these specifications and follow their instructions could result in damage to your equipment or personal injury.

Relocating audio and/or video equipment to furniture not specifically designed to support audio and/or video equipment may result in death or serious injury due to the furnishing collapsing or over turning onto a child.



Cable Trip Hazard

Ensure that any cables extending across the floor to your product are properly bundled and marked to avoid tripping or falling which may lead to personal injury.



Electrical Shock

Do not install or use the electrical components of this unit during a lightning storm.



Climb Hazard

Death or serious injury may occur when children climb on audio and/or video equipment furniture. A remote control or toys placed on the furnishing may encourage a child to climb on the furnishing and as a result the furnishing may tip over on to the child. Do not climb on, hang from or suspend objects from any components of your product unless otherwise specified.

Parts

Before beginning, you should have:

Additional tools required:

Adjustable wrench (2x)



OR

7/16" Wrench (2x),
9/16" Wrench (2x),
13MM Wrench (2x)

+

Screwdriver

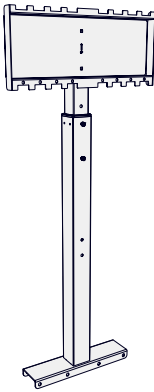


Phillips #1 or #2

Contents IFP600-0

Column

1x
(51117, 51119)



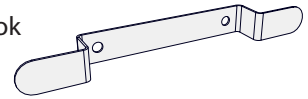
Flat Panel Mount

2x
(32350)



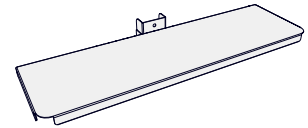
Cable Hook

1x
(341091)



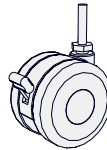
Shelf

1x
(32346)



3" Caster with Brake

4x
(410031)

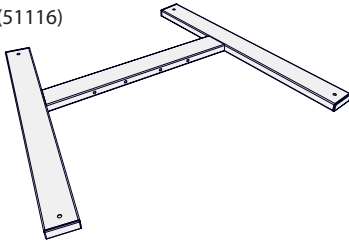


>>> Hardware Inside This Box <<<

Contents IFP600-1

Base

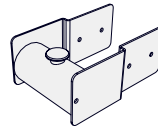
1x
(51116)



Contents IFP600-AC

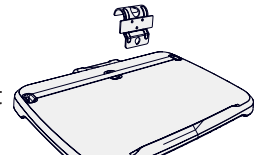
Laptop Tray
Column Mount

1x
(51118)



Laptop Tray &
Mounting Bracket

1x
(320832, 32358)



20 lbs Weight Limit



M5 x 16mm

Screw

3x



M5 Square

Nut

3x



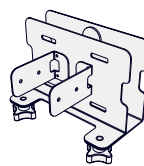
*Laptop Tray and
hardware packaged
together

OR

Contents IFP650-AC

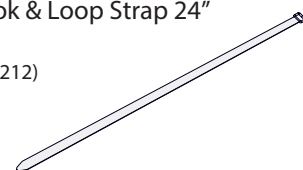
Mini PC Mount

1x
(32359)



Hook & Loop Strap 24"

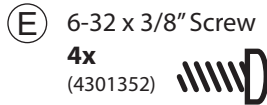
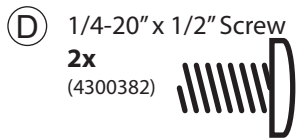
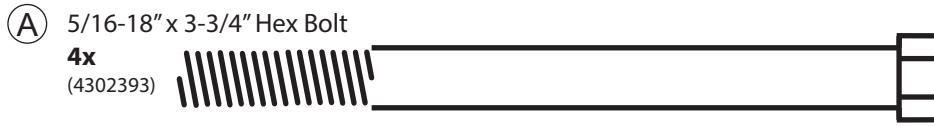
3x
(433212)



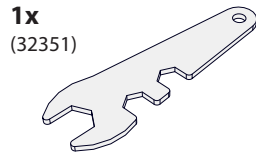
Hardware

Before beginning, you should have:

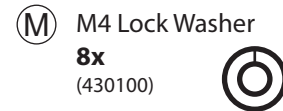
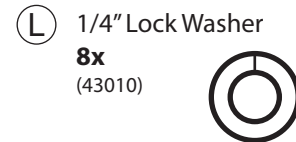
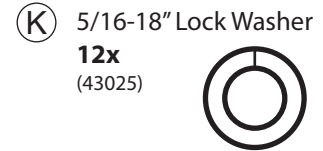
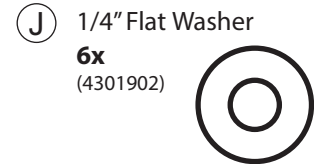
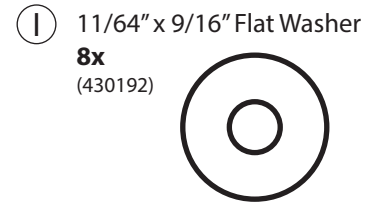
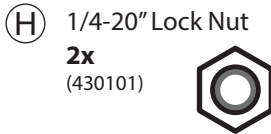
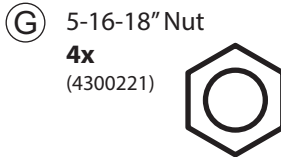
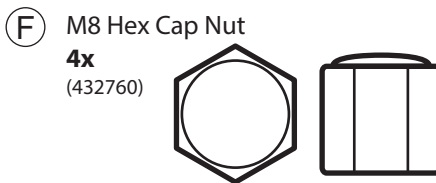
Hardware:



Caster Wrench Multi Tool (not to scale)



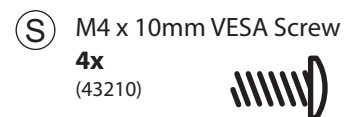
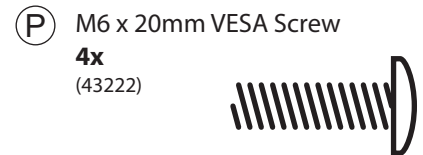
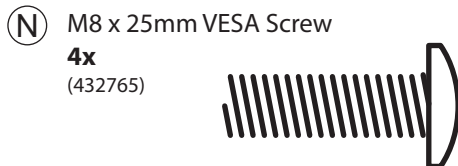
Allen Key (not to scale)



Hook & Loop Straps (not to scale)

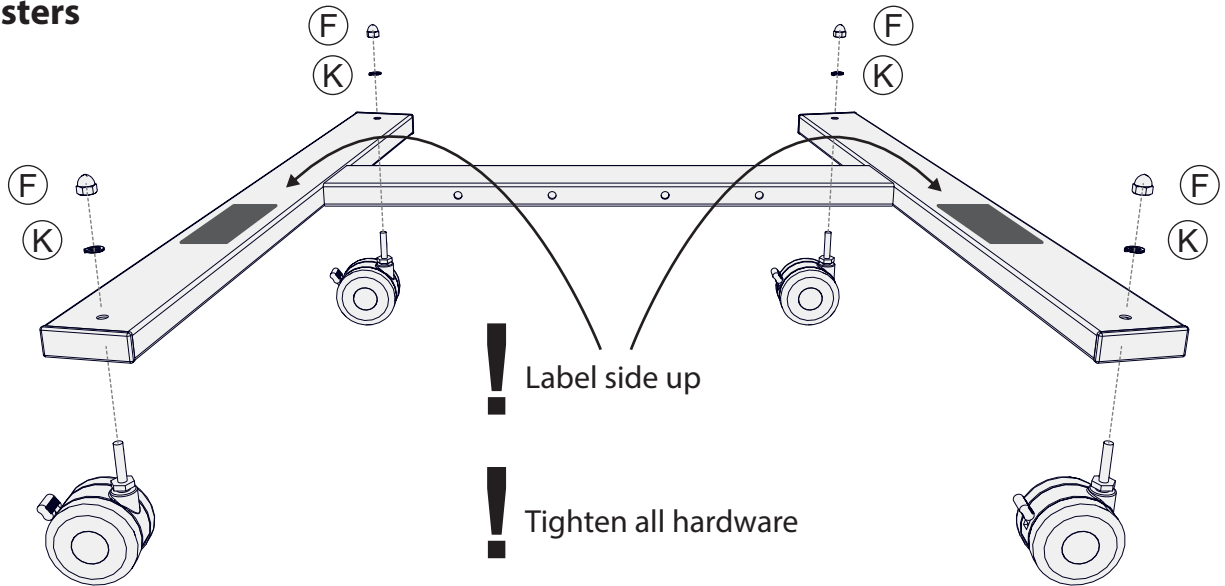


Metric hardware for VESA Mounting



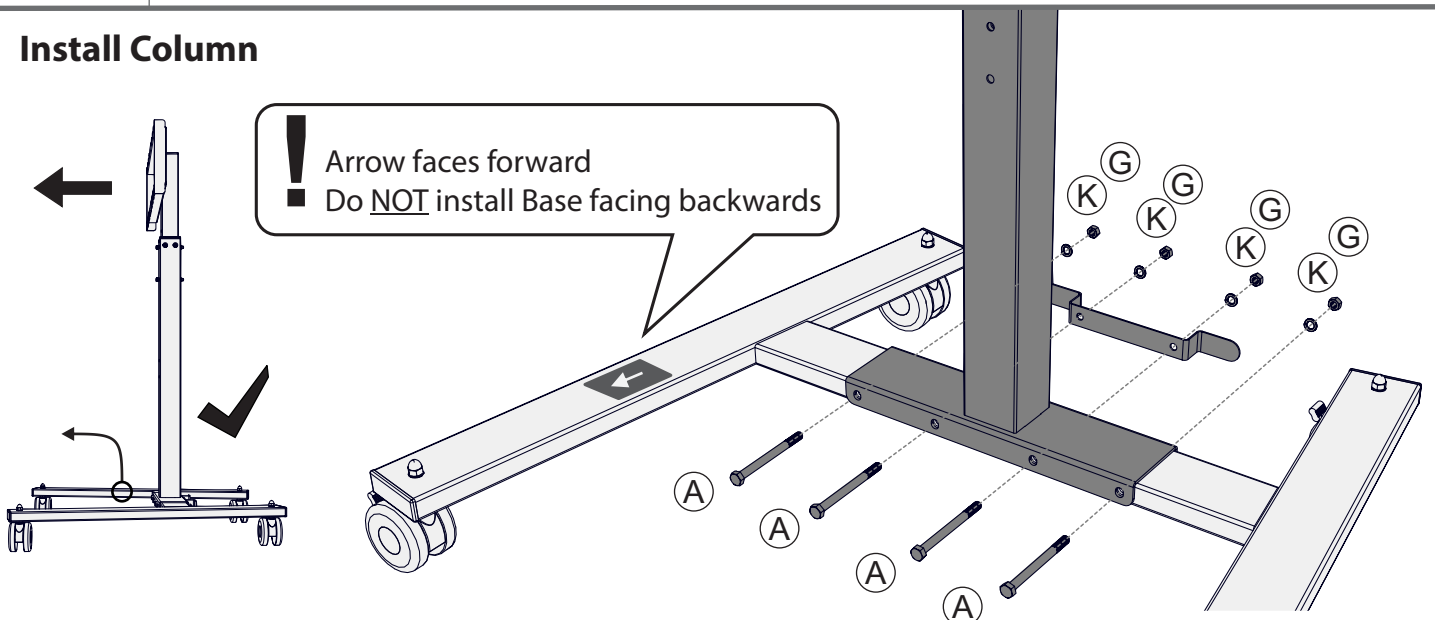
1	Actual Size:				
			4x		4x
You will need: (Not to Scale)					
		Base 1x		3" Caster with Brake 4x	
					Caster Wrench Multi Tool 1x

Install Casters



2	Actual Size:				
			4x	4x	4x
You will need: (Not to Scale)					
		Column 1x		Cable Hook 1x	

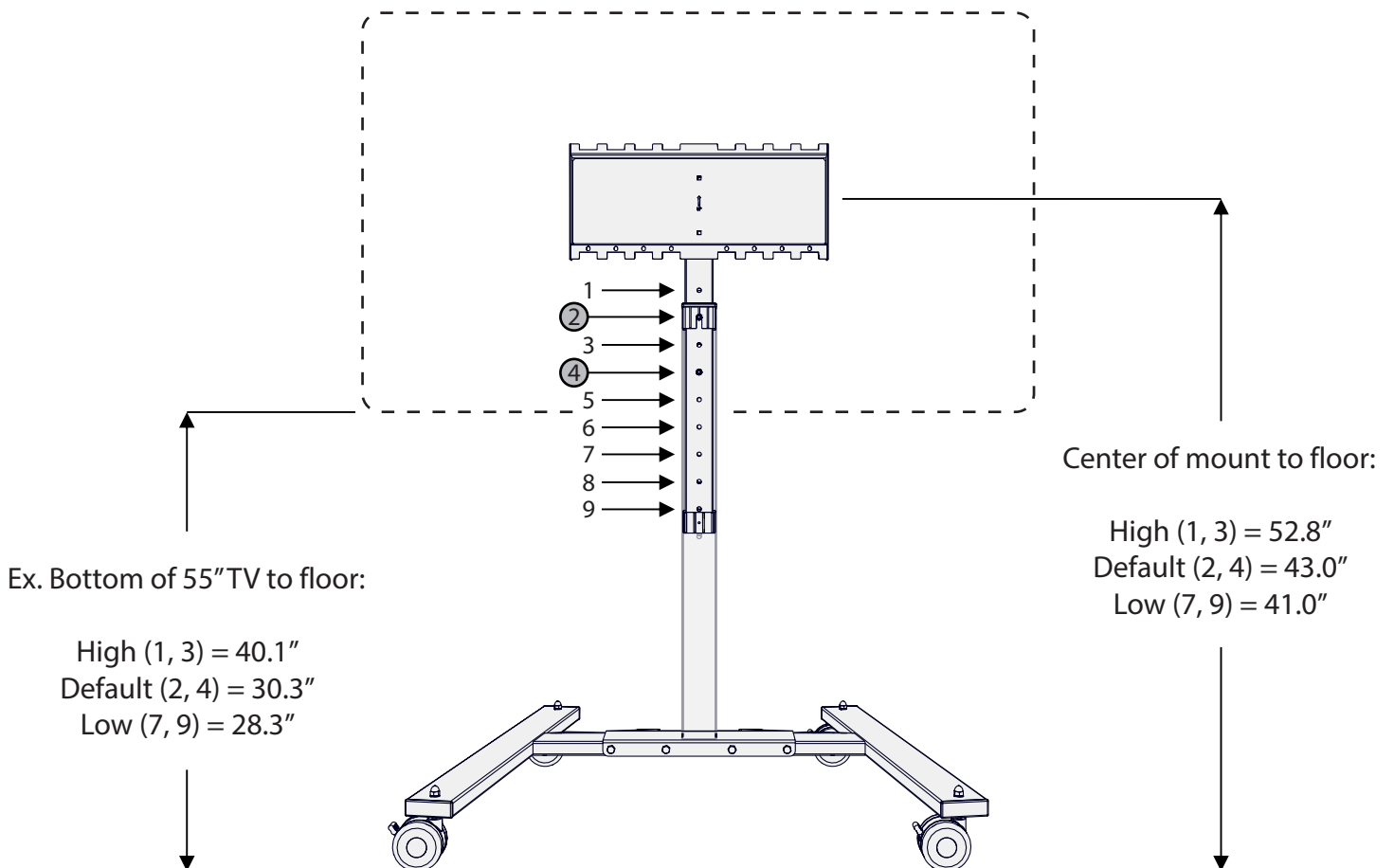
Install Column



Choose Your Desired Flat Panel Height

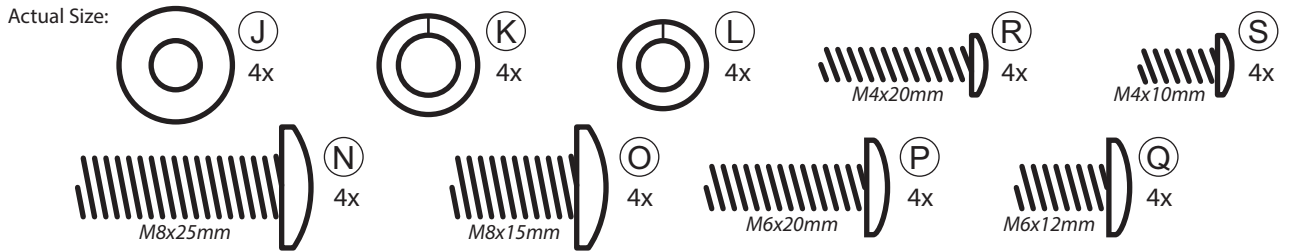
! Note the Column comes pre-assembled in holes 2, 4. If you wish to adjust the height remove the hardware circled below and set to desired height and reinstall hardware.

! **DO NOT ADJUST FLAT PANEL HEIGHT WITH THE FLAT PANEL INSTALLED ON THE UNIT.**
FLAT PANEL MUST BE REMOVED TO ADJUST PANEL HEIGHT.

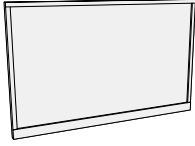


*Shown with 55" Flat Panel installed.
 Measurements are approximate and will vary depending on your flat panel.*

4



You will need: (Not to Scale)



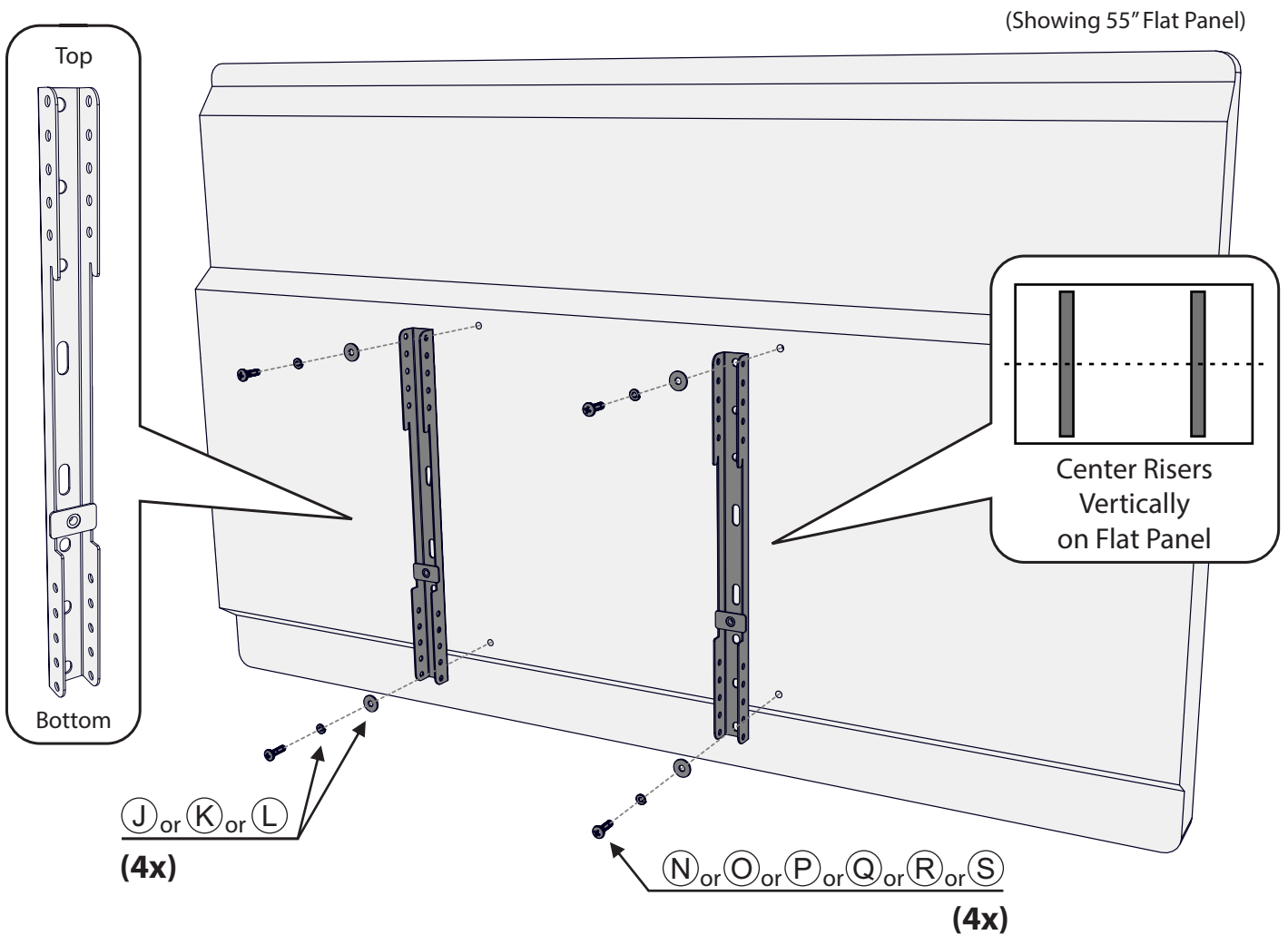
Compatible flat panel
(sold separately)
1x



Flat Panel Mount
2x

Attaching Your Flat Panel Mount

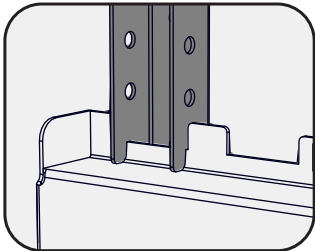
! Check your flat panel owner's manual to determine correct VESA screw size and torque specifications to avoid causing damage to your flat panel.



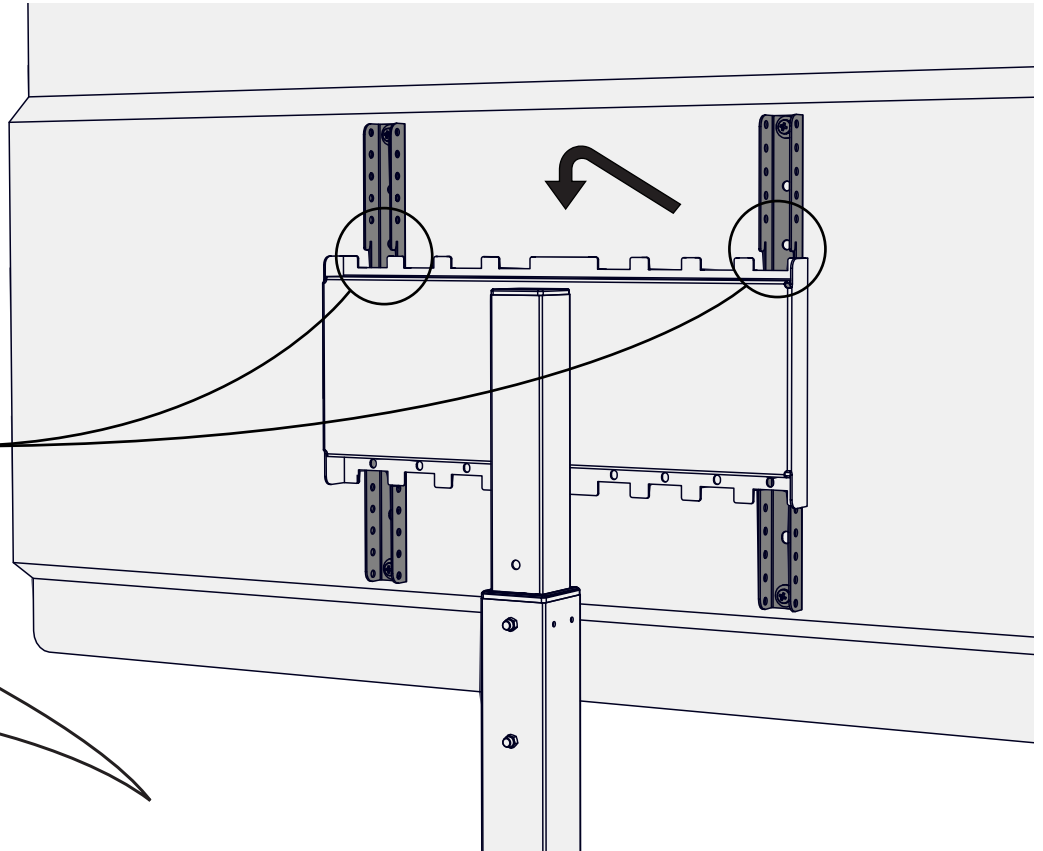
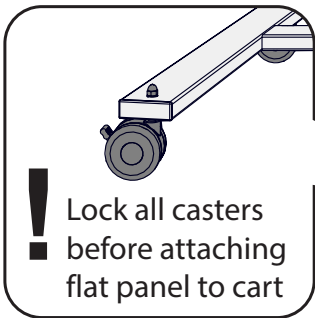


Install Flat Panel On Cart

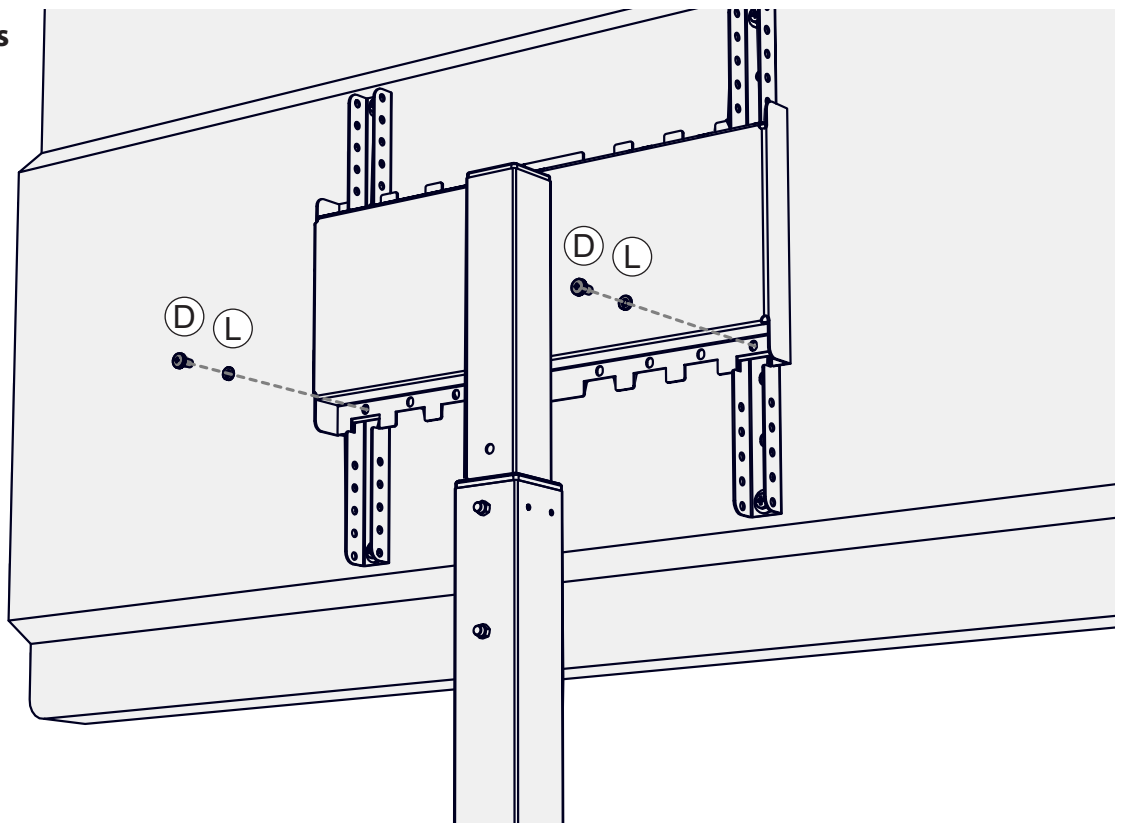
A Hook Onto Mount



! Center and hook TV onto mount



B Install Safety Screws

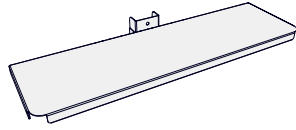


6

Actual Size:

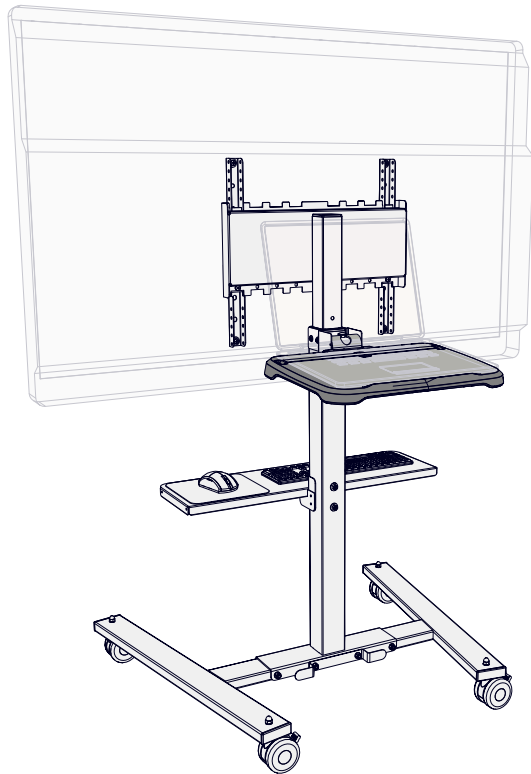
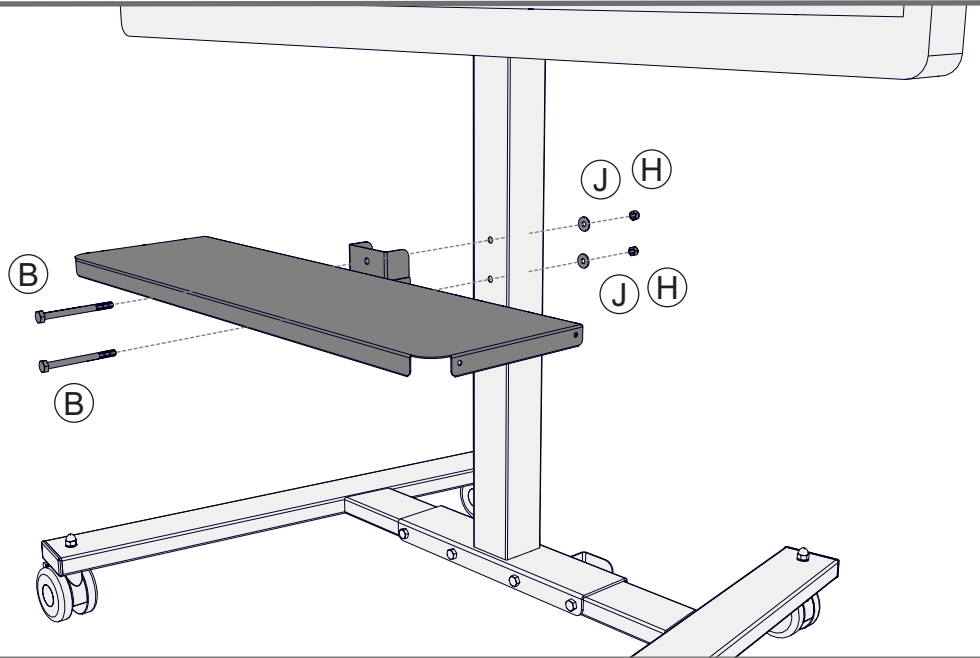


You will need: (Not to Scale)



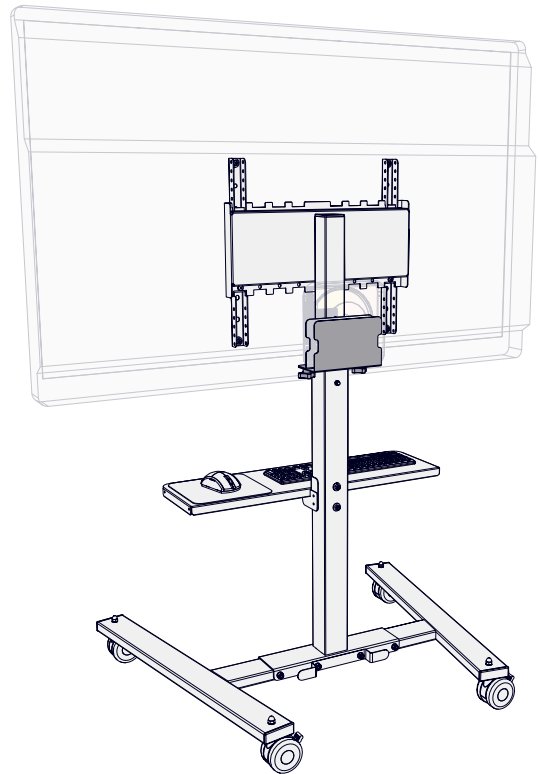
Shelf
1x

Install Shelf



For IFP600 with Laptop Tray
turn to Step 7

OR



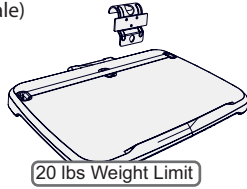
For IFP650 with Mini PC Mount
turn to Step 9

7

Actual Size:



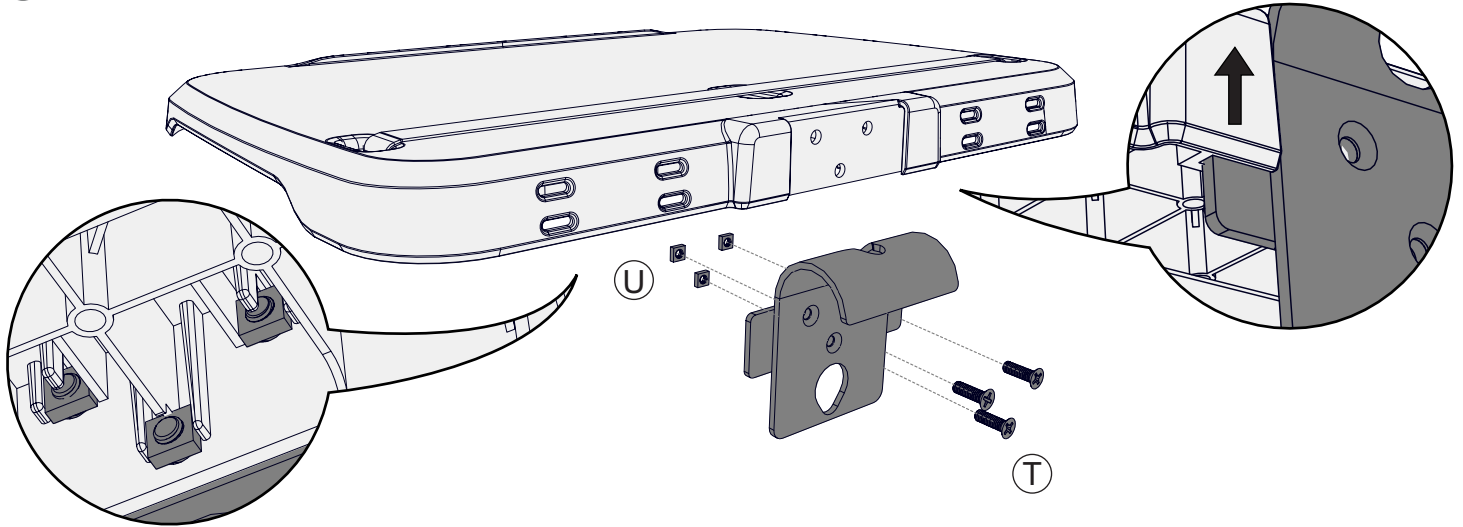
You will need: (Not to Scale)



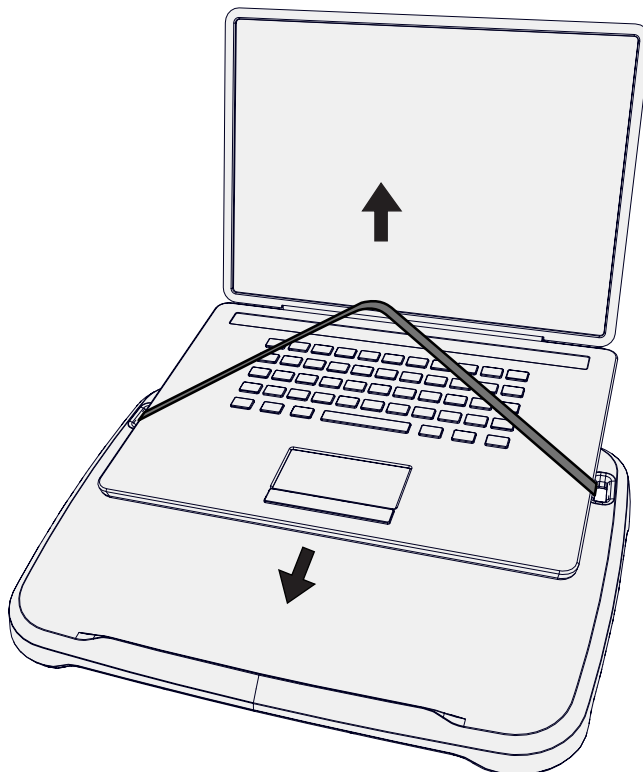
Laptop Tray & Mounting Bracket
1x

Assemble Laptop Tray (IFP600)

A Instal Bracket Into Tray and Secure



B Secure Your Device with Strap



1 Lift up strap

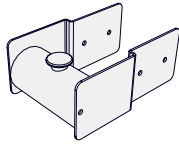
2 Slide in your device

8

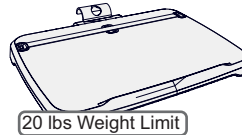
Actual Size:



You will need: (Not to Scale)

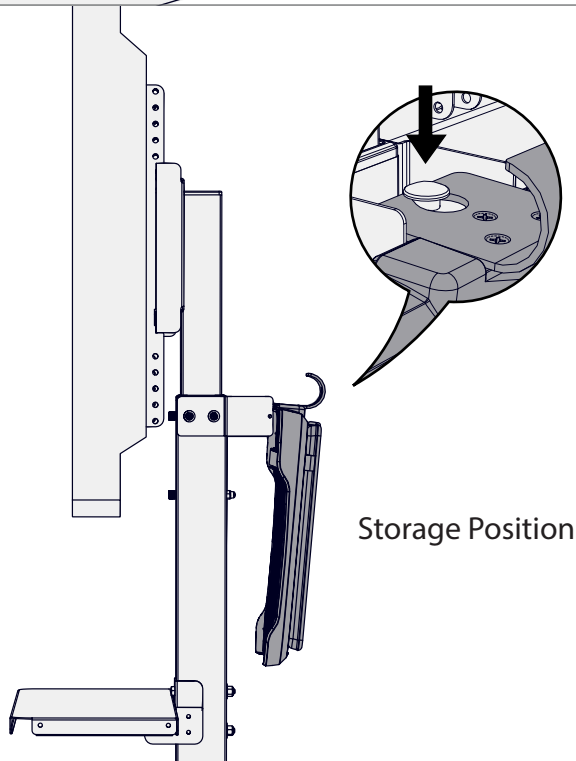
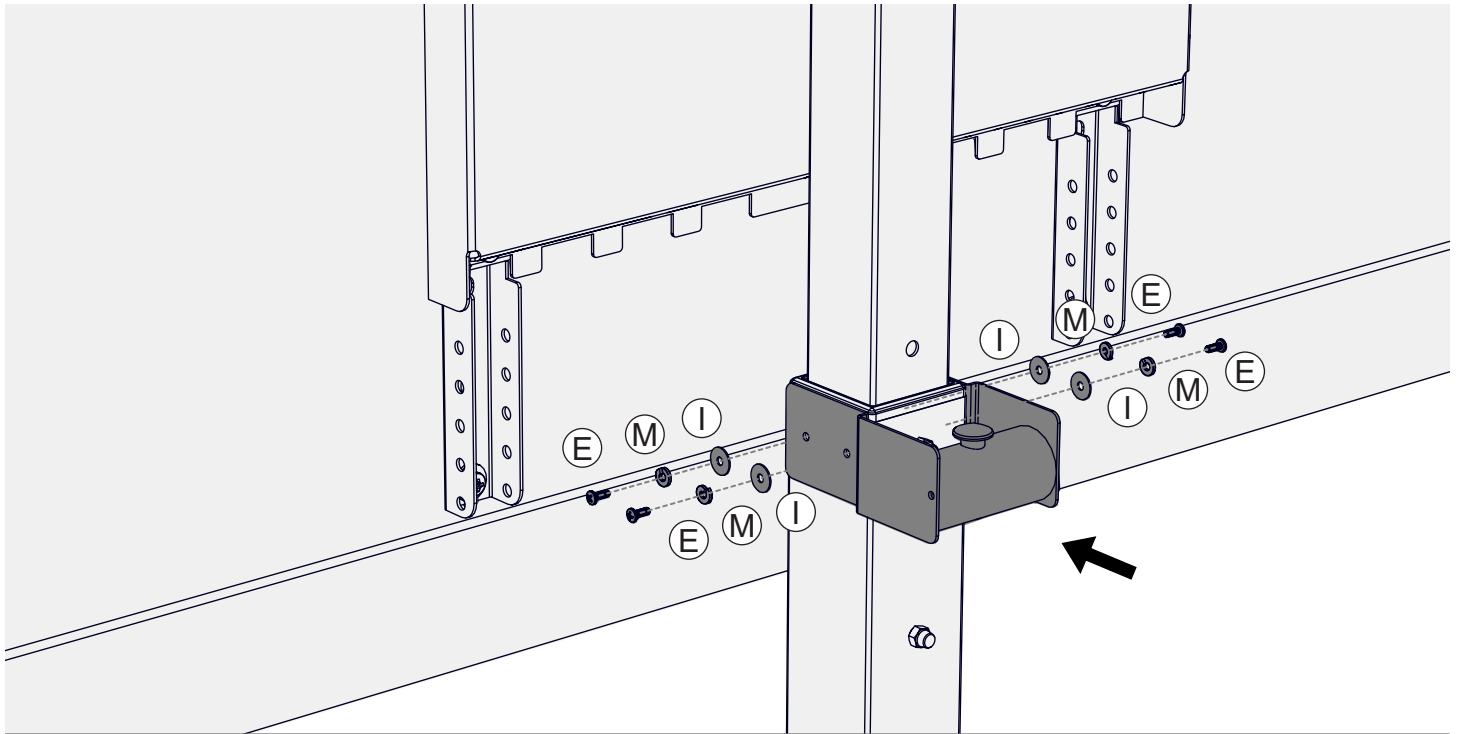


Laptop Tray Column Mount
1x

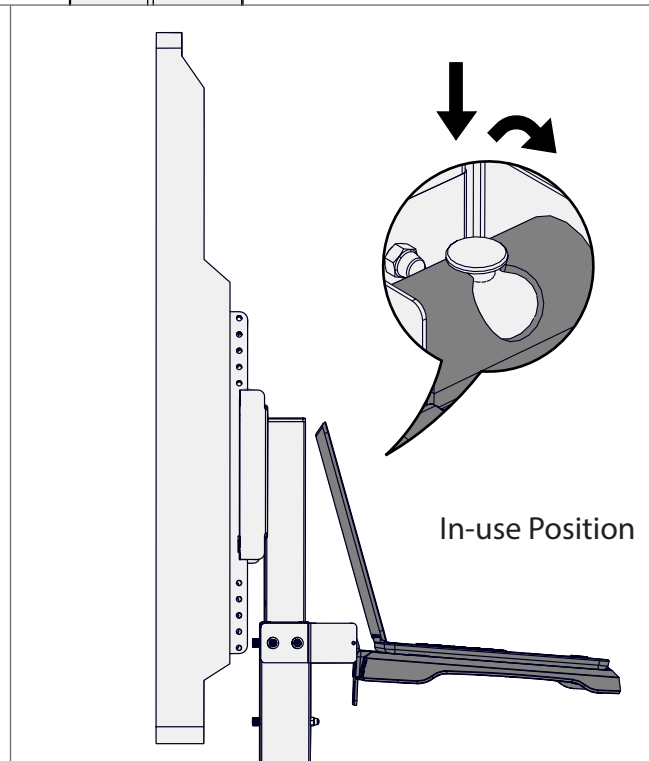


Laptop Tray & Mounting Bracket
1x

Install Laptop Tray Mount (IFP600)



Storage Position



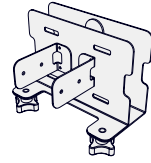
In-use Position

9

Actual Size:

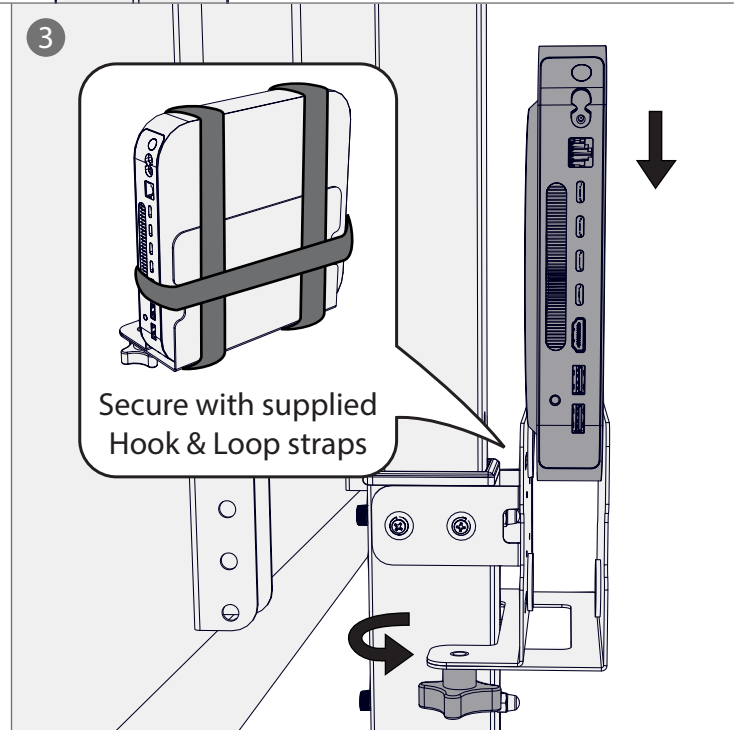
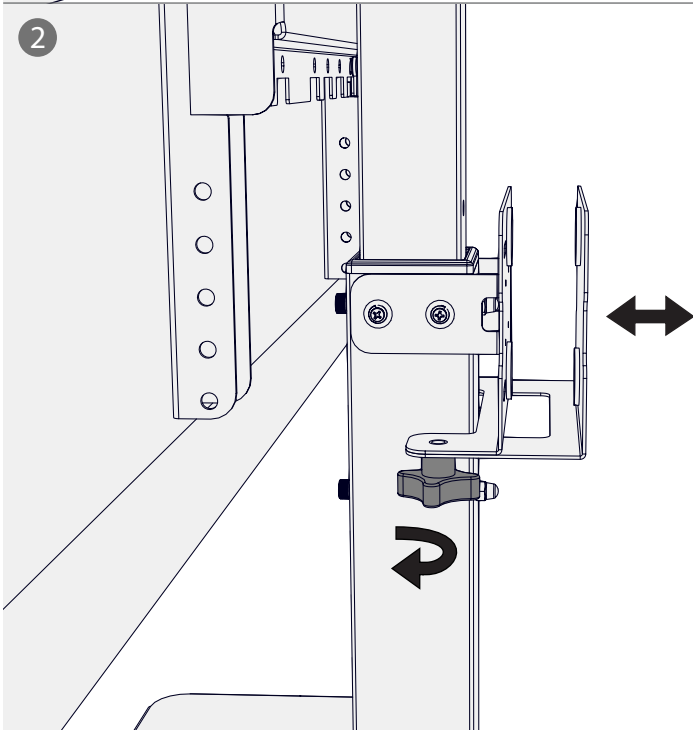
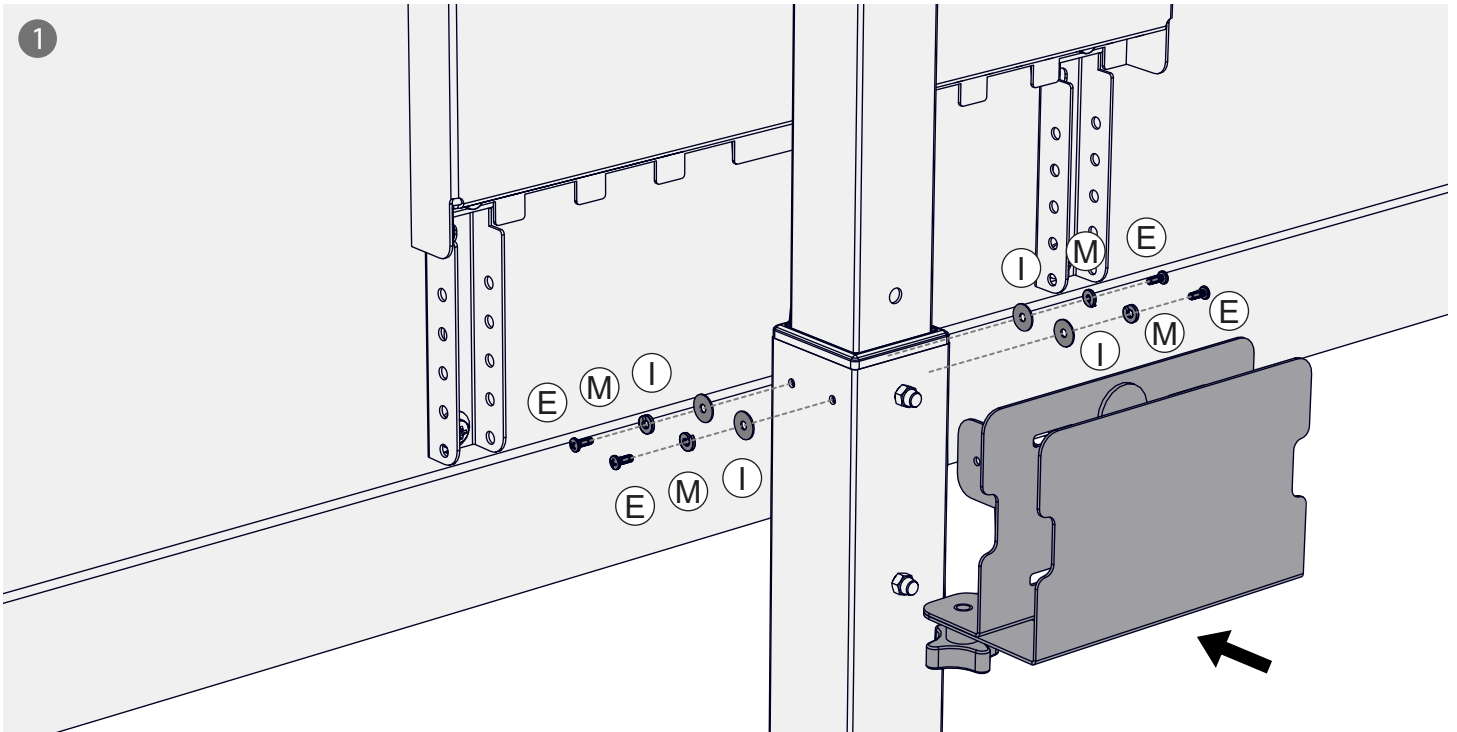


You will need: (Not to Scale)



Mini PC Mount
1x

Install Mini PC Mount (IFP650)



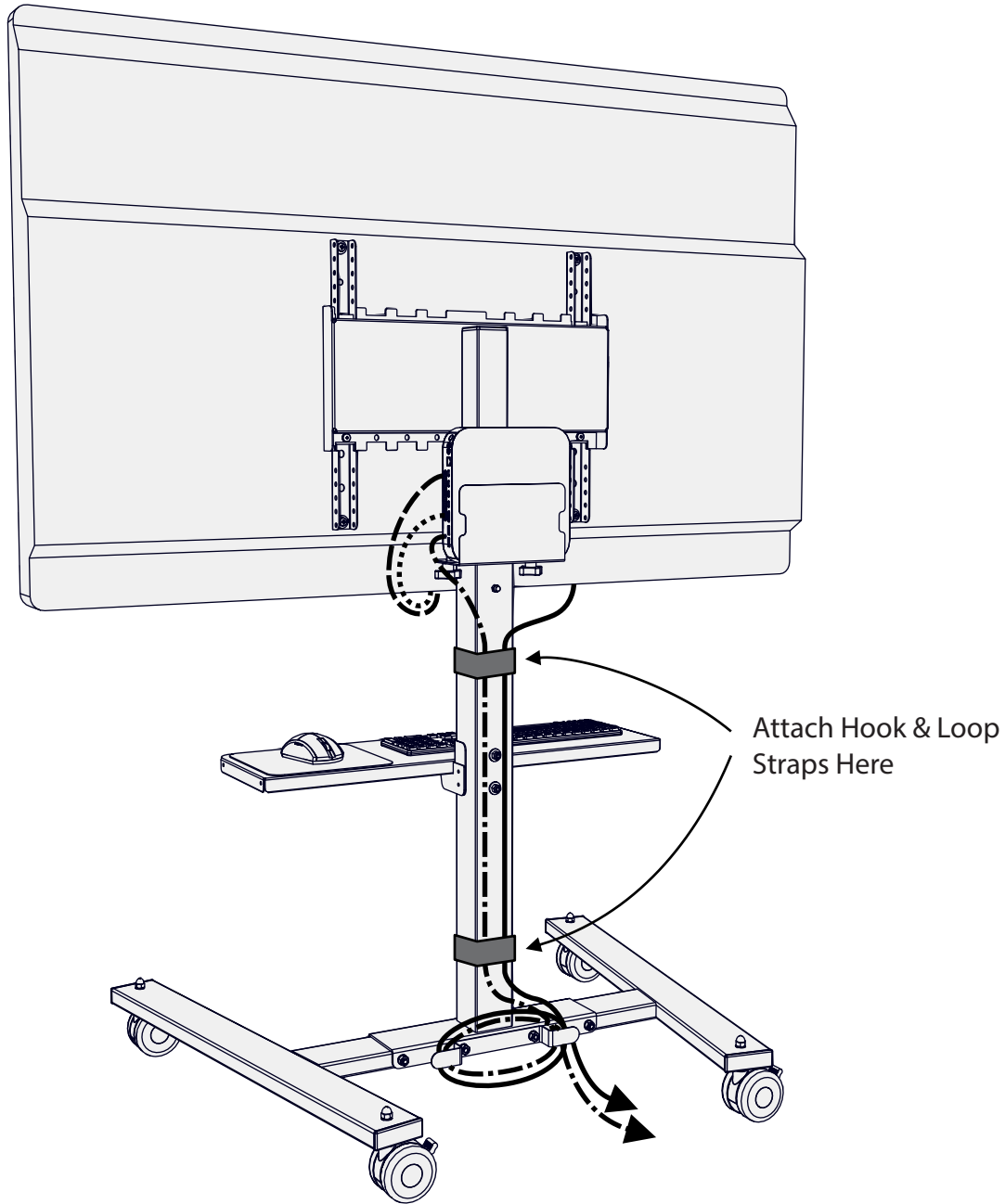


Hook & Loop Strap
2x

Cable Routing

Showing IFP650 Model with Mini PC Holder

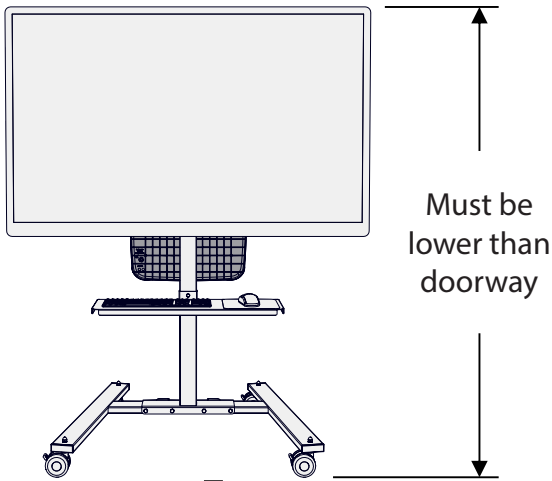
- VGA/HDMI Cable
 - USB Cable
 - Flat Panel Power Cable
 - Laptop/Computer Power Cable
- (items not included with IFP500)



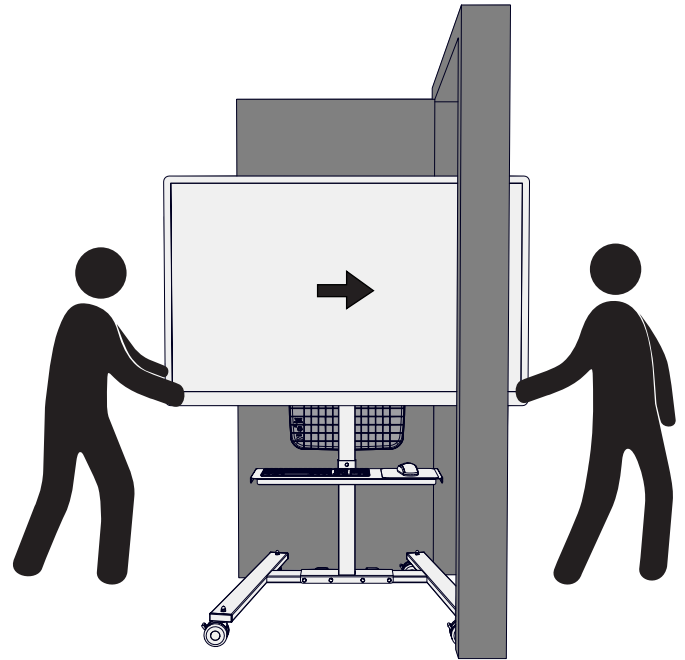


Warning - When moving your flat panel cart through a door ensure that the unit is shorter than the height of the door.

1



2



! Always turn off and unplug the flat panel screen before moving.
■ Stow away laptop tray before moving.



Warning - Can tip over resulting in risk of injury. Do not allow children under 16 to move cart. Move cart slowly.

