

# Web Camera Mount for iRover2



## Assembly Guide IFP-WCM 2021 A

Check out our other products online at  
[www.copernicused.com](http://www.copernicused.com)

For assistance, please contact us:

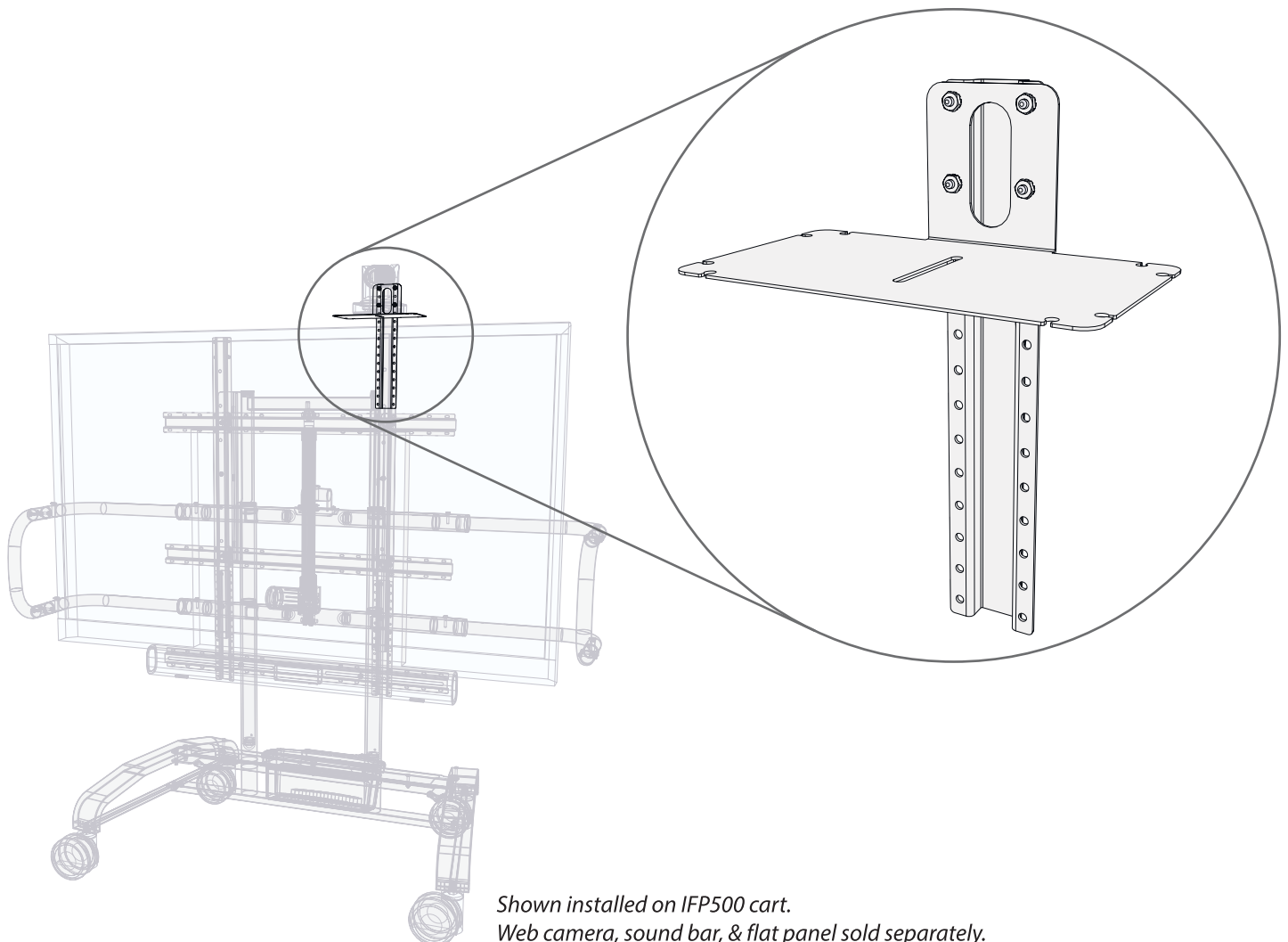
**1-800-267-8494**

Email [info@copernicused.com](mailto:info@copernicused.com)

**Have your packing slip ready for reference**

### WARNING !

- This product is meant to be assembled by an adult.
- In its unassembled state, small parts present a hazard.
- To be used under direct supervision of an adult.



This Web Camera Mount is only compatible with the updated IFP500.  
The previous IFP500 and older IFP300 are not supported.  
For more compatibility information see Page 6.



## Assembly Guide IFP-WCM 2021 A

Check out our other products online at  
[www.copernicused.com](http://www.copernicused.com)

For assistance, please contact us:

**1-800-267-8494**

Email [info@copernicused.com](mailto:info@copernicused.com)

**Have your packing slip ready for reference**

Dear Educator,

Thank you for purchasing the Web Camera Mount for iRover2. We hope it meets all your expectations and you and your students enjoy using it in your school.

If you have any questions, concerns or ideas on how we can improve please let us know by contacting our Customer Solutions Ninjas at 1-800-267-8494 or [info@copernicused.com](mailto:info@copernicused.com).

Happy teaching,

Kaylyn Belcourt  
President

We do not inherit the earth from our ancestors, we borrow it from our children.

Change is the end result of all true learning.

LEO BUSCAGLIA

What you leave behind is not what is engraved in stone monuments, but what is woven into the lives of others.

Education is the most powerful weapon which you can use to change the world.

NELSON MANDELA

NORTH AMERICAN

PROVERB

PERICLES

**Lifetime**  
Part  
Warranty

### Register your Product

Registering your warranty ensures we have all the information we need to make any future warranty claims quick and easy. Please visit [www.copernicused.com/warranty](http://www.copernicused.com/warranty) and complete the form within 10 business days from product assembly. By registering your product, you will be entered into a draw to win Copernicus product.

### Make a Warranty Claim

We offer a Lifetime Warranty on almost everything we make. Please call 1-800-267-8494 or email [info@copernicused.com](mailto:info@copernicused.com) to start your warranty claim. Proof of purchase will be required upon warranty claim (i.e. copy of invoice).



# Warning! Hazard Risks!

Please read the warnings below for important safety information regarding your product. Failure to read these warnings or to follow the instructions below could result in personal injury or damage to your product that could void your warranty.



Small  
Parts

In its unassembled state, this product contains parts that can be hazardous to small children. This product should be assembled by an adult.



Adult  
Supervision

This product is to be used under the supervision of an adult.



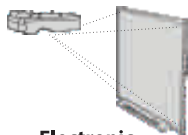
Indoor Use  
Only

This product is intended for indoor use only. To reduce the risk of fire or electric shock, do not expose this product to rain or moisture. The internal components are not sealed from the environment.



Power Strip  
Specifications

Read your power strip electrical specifications. Only plug in devices that are approved for use with this power strip. Connect the supplied power strip directly to a wall outlet. **Do not connect to another power strip or use an extension cord.** Unplug when not in use. **Do not leave this product plugged in for more than 72 consecutive hours.** Turn off power strip before unplugging.



Electronic  
Equipment

Read the electrical specifications of any electronic equipment you are using with your Copernicus products. Failure to read these specifications and follow their instructions could result in damage to your equipment or personal injury.



Cable Trip  
Hazard

Ensure that any cables extending across the floor to your product are properly bundled and marked to avoid tripping or falling which may lead to personal injury.



Electrical Shock

Do not install or use the electrical components of this unit during a lightning storm.



Climb Hazard

Do not climb on, hang from or suspend objects from any components of your product unless otherwise specified.

## Before beginning, you should have:

Additional tools required:



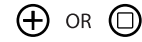
Adjustable Wrench

OR

10mm (1x),  
3/8" (1x)

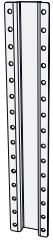


Screwdriver

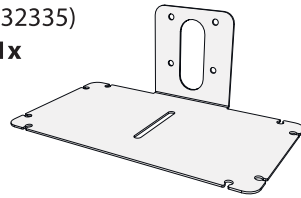


Contents - Box 1

Riser  
(331521)  
**1x**



Bracket  
(32335)  
**1x**



In Box 1

Hardware  
Actual Size

(A) 10-24 x 1/2" Screw  
(43013)  
**4x**



(B) 10-24 x 1/2" Screw Self Tapping  
(4302012)  
**2x**



(C) 10-24 Lock Washer  
(4301002)  
**4x**



(D) 10-24 Keps Nut  
(43016)  
**4x**



# Tips for Assembly

## Watch for These Helpful Symbols

This symbol denotes a 2-Person Task. For safety, please ensure that there are the suggested number of people working on steps displaying this symbol.



Watch for this symbol throughout the Assembly Guide. Wherever you see it, pay close attention. The symbol denotes a step needing extra attention to ensure it is done correctly.



The star symbol highlights an advisory note.

## Before You Begin

- Lay out and identify all of the included parts.
- The hardware has been packed according to step.
- Read the assembly guide over once to familiarize yourself with them.



**!** Please note that in its unassembled state, this product contains parts that can be hazardous to small children. This product should be assembled by an adult.

**!** Please note, star washers are critical components for electrical safety. Star washers must be included and fasteners fully tightened to prevent the risk of electric shock..



## As You Assemble the Unit

- Follow the steps in sequence.
- Before beginning each step, find the part(s) that you need for that step.
- Pay attention to the labels on the parts; they are there to help direct you at certain stages.
- The title of each step states what you will be doing. Review the text and the pictures as you build the unit.

# Customer Service - FAQ's



### For missing parts and other issues:

Please call Copernicus Customer Service, where we will be happy to help.

1-800-267-8494. Monday - Friday 8:00am - 4:30 pm EST.

OR

Email Customer Service at [info@copernicused.com](mailto:info@copernicused.com)

### My Flat Panel isn't working, who should I call?

Please call the reseller that you bought the product from first (reseller information can be found on your packing slip).

**Need Tech Support?  
Have a Question?**



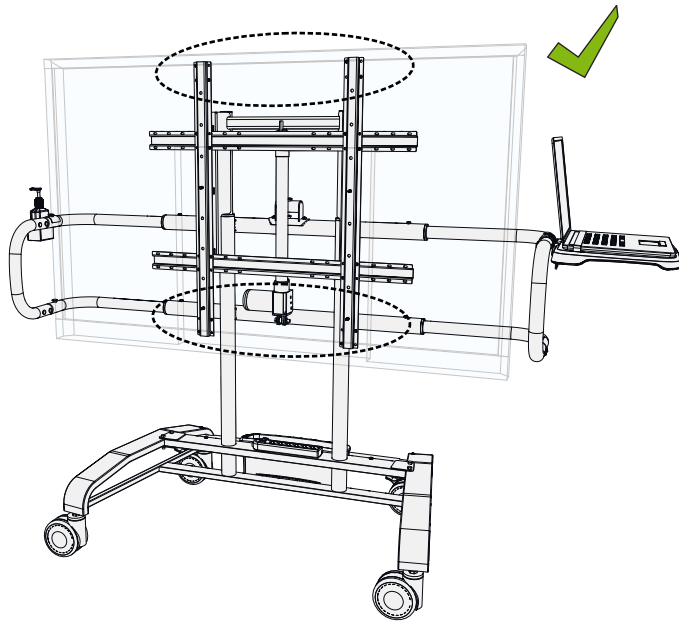
Email our Tech Support Service

**Check out some of our  
other great products!**

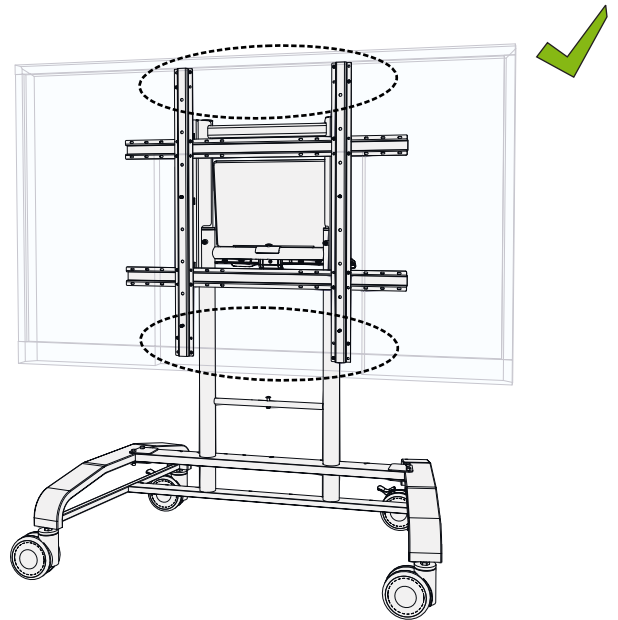


[www.copernicused.com](http://www.copernicused.com)

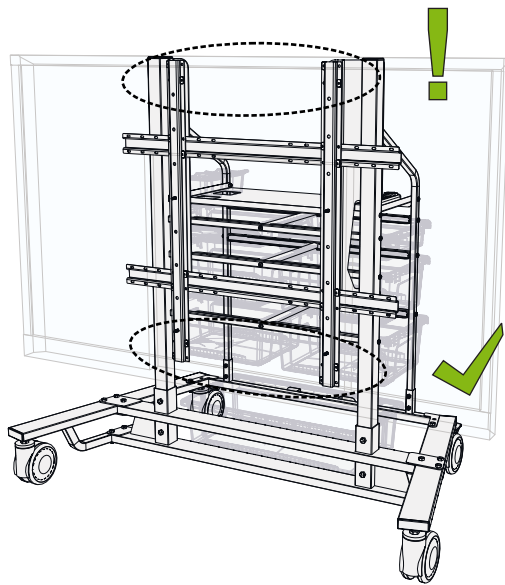
# Compatible Products:



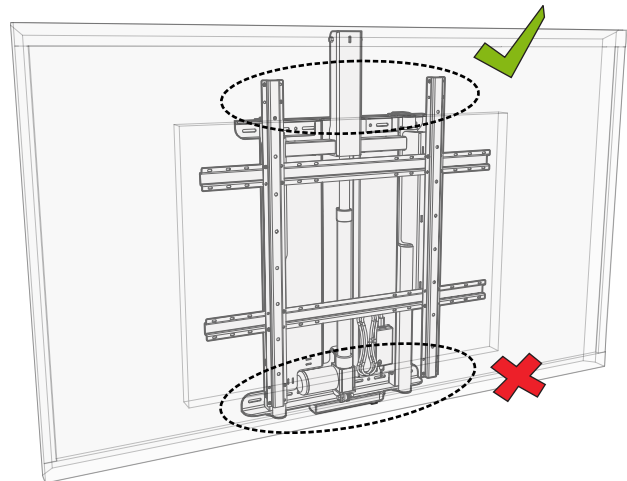
**iRover2 for Interactive Flat Panels (IFP500) - updated version June 2019 +**



**iRover2 for Interactive Flat Panels - Base Model (IFP550)**

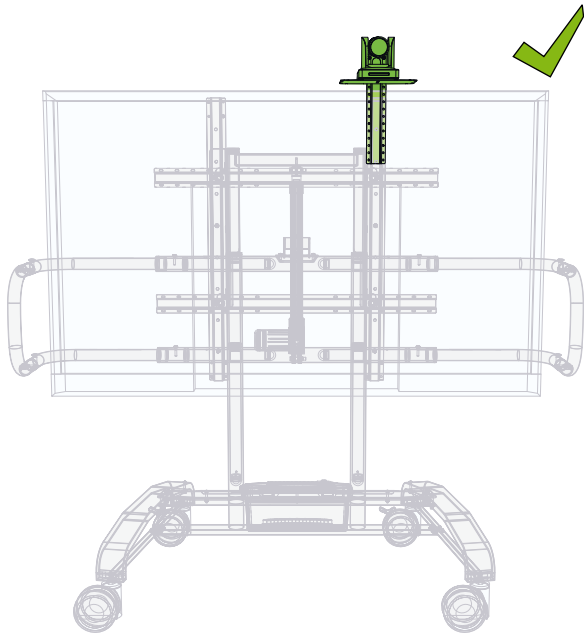


**iRover2 Interactive Flat Panel Easel (FPE100)**  
*(when installing above TV the cart frame will cover mounting holes, therefore TV & mount must be removed to install IFP-WCM)*

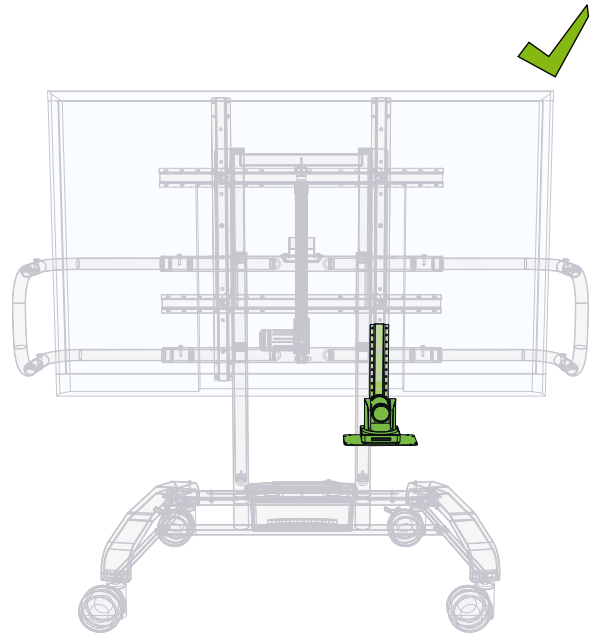


**iRover2 Height-adjustable Wall Mount for Flat Panels (HAWM)**  
*(IFP-WCM not compatible below TV)*

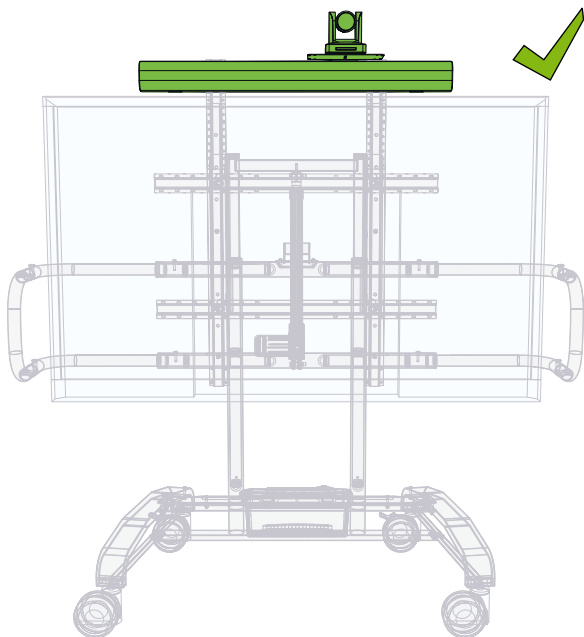
## Choose Where To Install Web Camera Mount (Shown on IFP500)



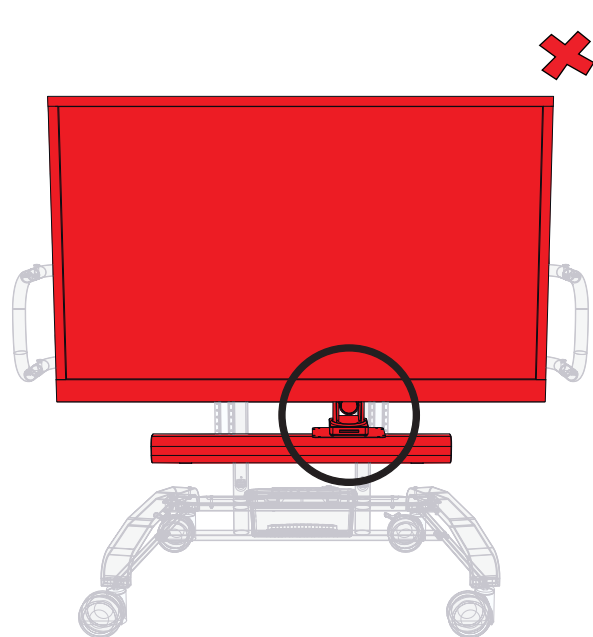
**Above Flat Panel**



**Below Flat Panel**



**Above Flat Panel On Sound Bar Mount**  
*(supplied Riser not needed if mounting  
on our IFP-ACS2 Sound Bar Mount)*



**Below Flat Panel On Sound Bar Mount  
Is Not Supported**  
*(not enough space underneath for both  
sound bar and web camera)*



# 2.1

Actual Size:



4x



2x

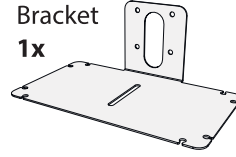


2x



4x

You will need: (Not to Scale)



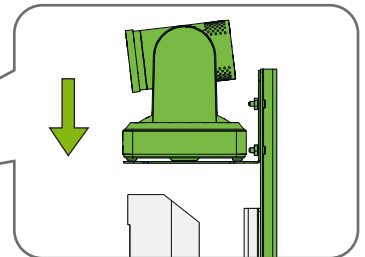
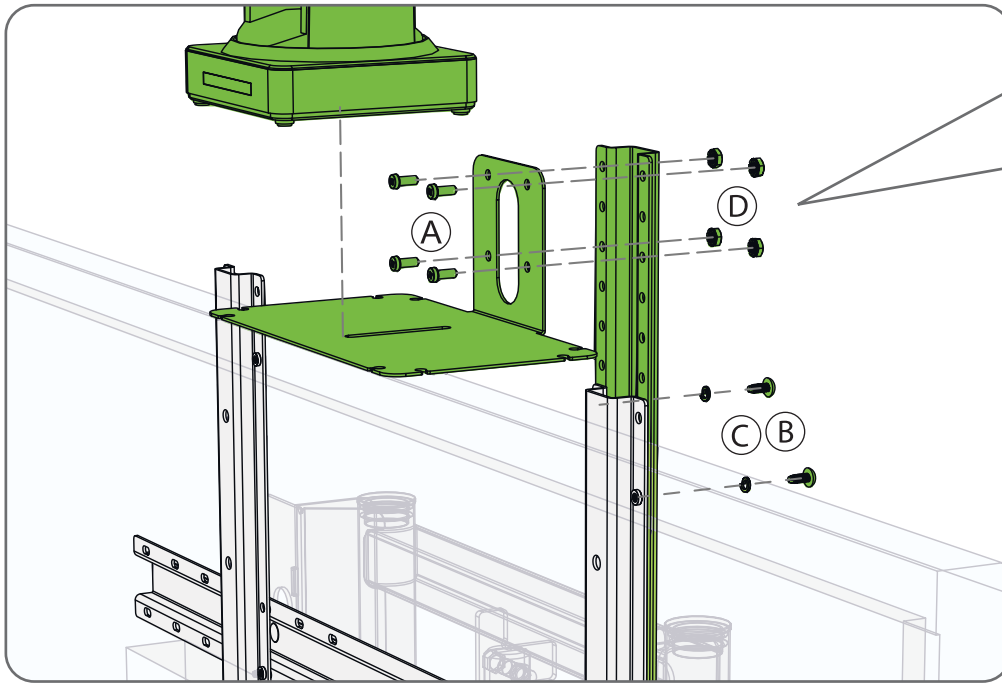
Screwdriver 1x



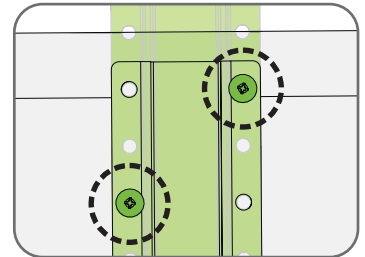
Adjustable Wrench 1x  
(10mm or 3/8")

## Installing On TV's Flat Panel Mount

### Installing Above Flat Panel

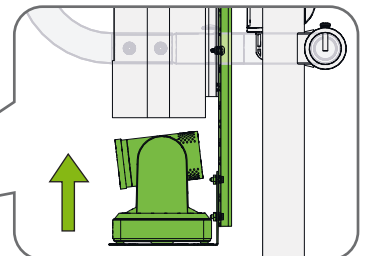
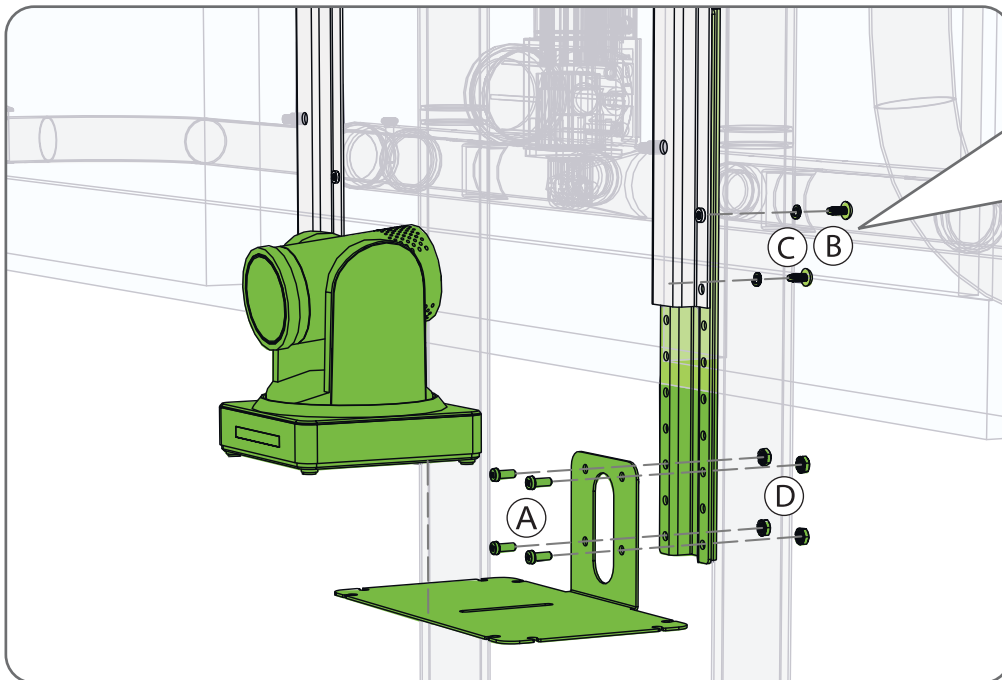


Position bracket close to flat panel

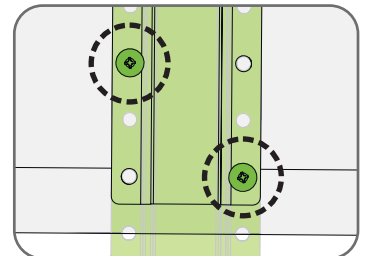


Only 2 of 4 holes will have threads

### Installing Below Flat Panel



Position bracket close to flat panel



Only 2 of 4 holes will have threads

...For Installation with Sound Bar Mount See Next Page

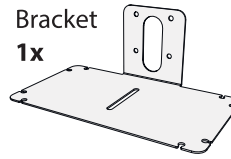


# 2.2

Actual Size:



You will need: (Not to Scale)



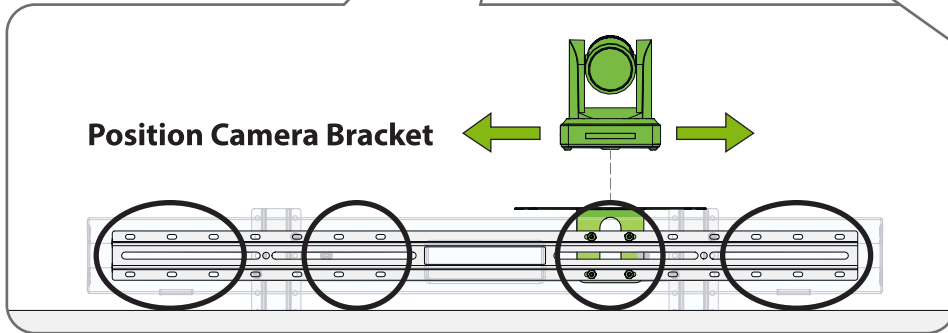
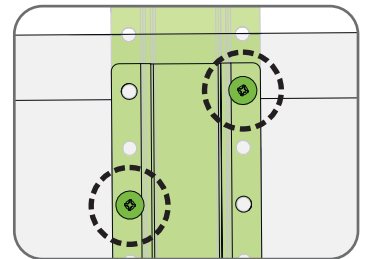
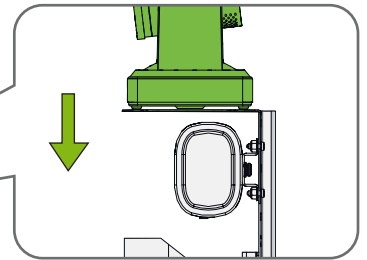
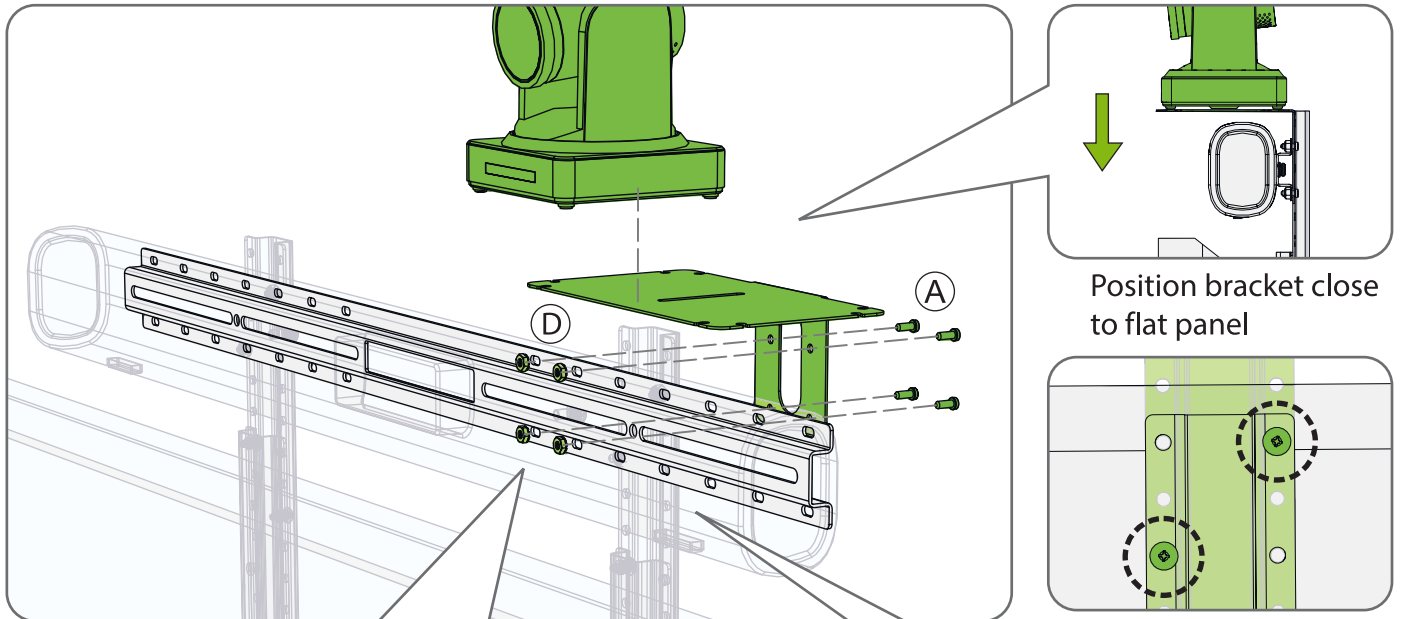
Screwdriver 1x  
⊕ OR ⊖



Adjustable Wrench 1x  
(10mm or 3/8")

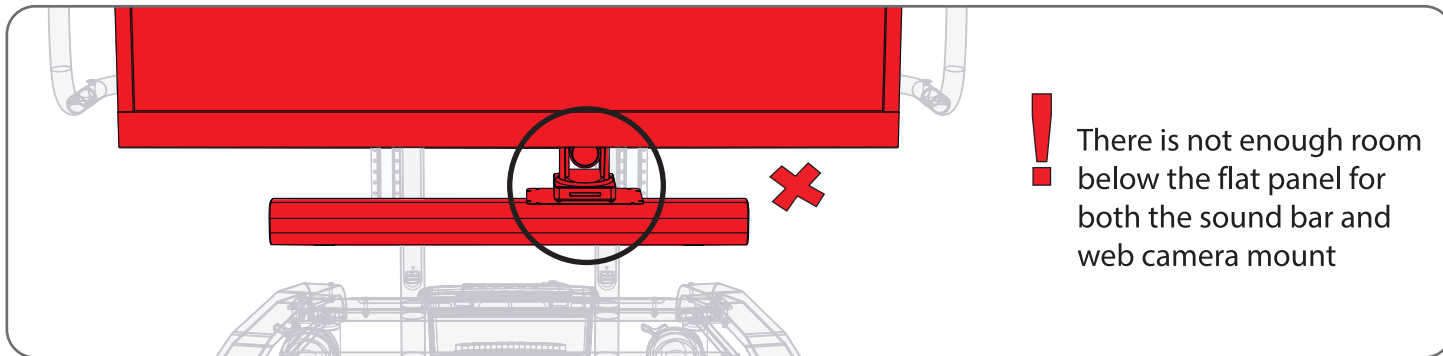
## Installing On Sound Bar Mount

### Installing Above Flat Panel On Sound Bar Mount (IFP-ACS2)

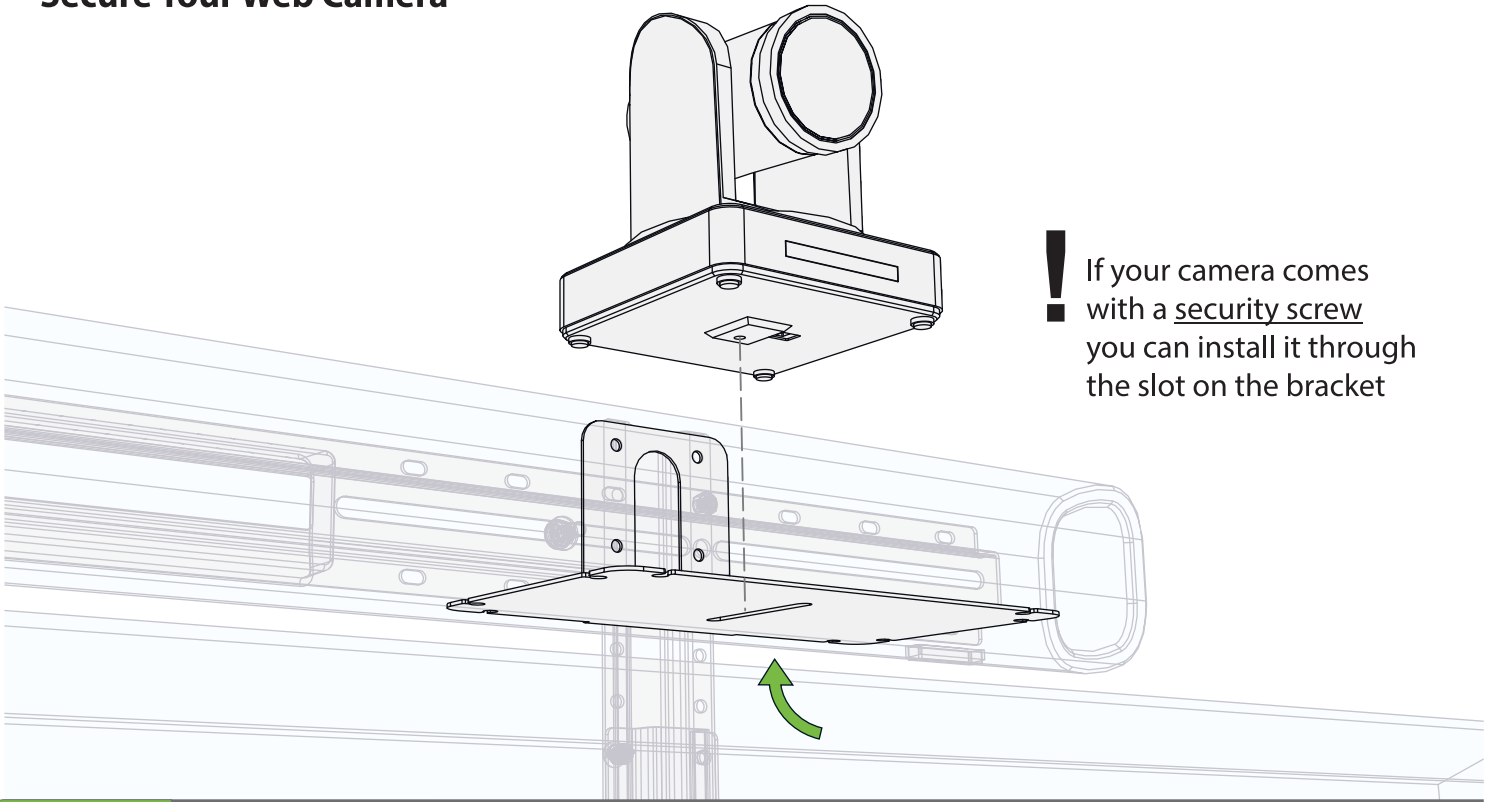


**!** The supplied Riser is not required when installing on our sound bar mount (IFP-ACS2)

### Installing Below Flat Panel On Sound Bar Mount is not supported



## Secure Your Web Camera



Optional: (Not to Scale)

Zip Tie  
2x



## Additional Security

★ You can strap your camera to the bracket with zip ties using these notches (zip ties not included)

