

SAN003  
SAN003-0

# Wall-mounted Hand Sanitizer Dispenser



## Assembly Guide

SAN003, SAN003-0\_2020\_B

Check out our other products online at  
[www.copernicused.com](http://www.copernicused.com)

For assistance, please contact us:

**1-800-267-8494**

Email [info@copernicused.com](mailto:info@copernicused.com)

**Have your packing slip ready for reference**

## WARNING



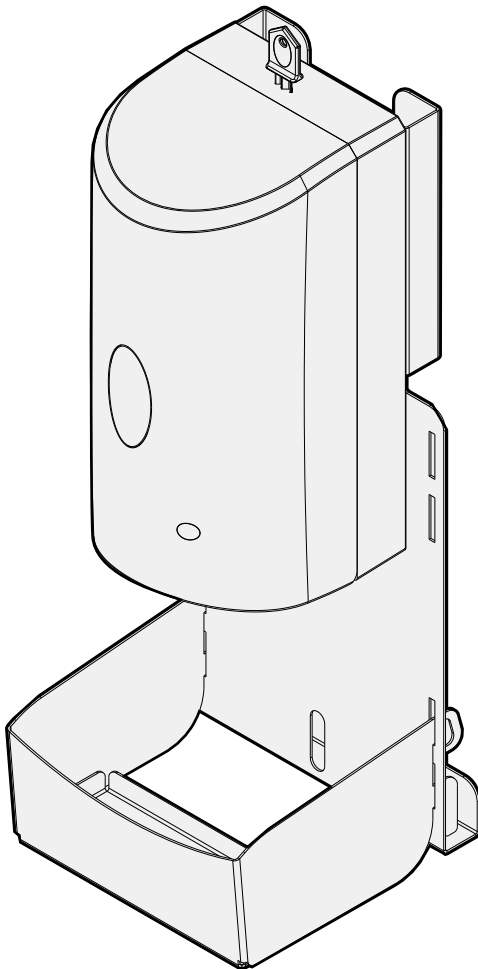
- This product is meant to be installed by a qualified installer.
- In its unassembled state, small parts present a hazard.
- To be used under direct supervision of an adult.



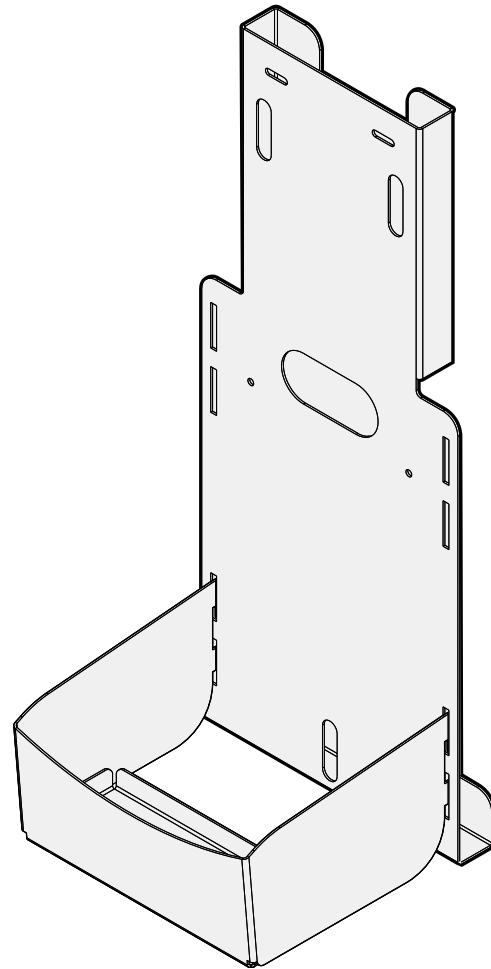
## NOTE:

Wall mounting hardware is not included.

- Installer must supply hardware suitable for the mounting surface.



**SAN003**  
includes hand  
sanitizer dispenser  
(HSD2)



**SAN003-0**  
no hand sanitizer  
dispenser included



**Please Recycle**

SAN003  
SAN003-0

# Wall-mounted Hand Sanitizer Dispenser



## Assembly Guide

SAN003, SAN003-0\_2020\_B

Check out our other products online at  
[www.copernicused.com](http://www.copernicused.com)

For assistance, please contact us:

**1-800-267-8494**

Email [info@copernicused.com](mailto:info@copernicused.com)

**Have your packing slip ready for reference**

Dear Educator,

Thank you for purchasing the Wall-mounted Hand Sanitizer Dispenser. We hope it meets all your expectations and you and your students enjoy using it in your school. If you have any questions, concerns or ideas on how we can improve please let us know by contacting our Customer Solutions Ninjas at 1-800-267-8494 or [info@copernicused.com](mailto:info@copernicused.com).

Happy teaching,

Kaylyn Belcourt  
President

**Lifetime**  
All Components  
Warranty

### Register your Product

Registering your warranty ensures we have all the information we need to make any future warranty claims quick and easy. Please visit [www.copernicused.com/warranty](http://www.copernicused.com/warranty) and complete the form within 10 business days from product assembly. By registering your product, you will be entered into a draw to win Copernicus product.

### Make a Warranty Claim

We offer a Lifetime Warranty on almost everything we make. Please call 1-800-267-8494 or email [info@copernicused.com](mailto:info@copernicused.com) to start your warranty claim. Proof of purchase will be required upon warranty claim (i.e. copy of invoice).



## Warning! Hazard Risks!

Please read the warnings below for important safety information regarding your product. Failure to read these warnings or to follow the instructions below could result in personal injury or damage to your product that could void your warranty.



Adult  
Supervision

This product is to be used under the supervision of an adult.



Small  
Parts

In its unassembled state, this product contains parts that can be hazardous to small children. This product should be assembled by an adult.

## Customer Service - FAQ's



### For any issues:

Please call Copernicus Customer Service, where we will be happy to help.

1-800-267-8494. Monday - Friday 8:00am - 4:30 pm EST.

Email our Customer Support Service at [vanessa@copernicused.com](mailto:vanessa@copernicused.com)

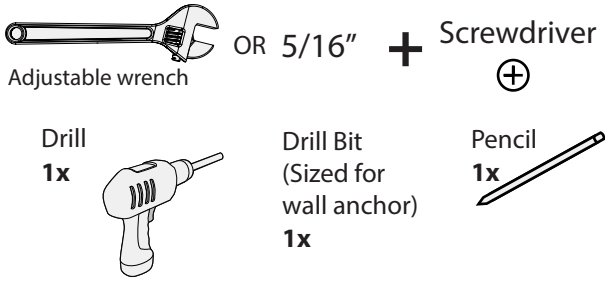
Check out some of our  
other great products!



[www.copernicused.com](http://www.copernicused.com)

## Before beginning, you should have:

Additional tools required:



1

You will need:

Pencil 1x

Drill and Drill Bit 1x

**NOTE: INSTALLER MUST SUPPLY HARDWARE**

#8 x Pan Head Screw 2x

Type and length to be determined by installer, depending on mounting surface.

<p><b>SAN003</b></p> <p>Wall-mounting Plate (32284) 1x</p> <p>Child Lockout Safety Feature (32277) 1x</p> <p>HSD2 Dispenser &amp; Power Cable (HSD2) 1x</p>	<p><b>SAN003-0</b></p> <p>Wall-mounting Plate (32284) 1x</p> <p>Child Lockout Safety Feature (32277) 1x</p> <p>Adhesive Tape (700013) 8x</p>
---	--

OR

**Hardware**  
Actual Size

<p><b>A</b> 6-32 x 3/8" Pan Head Screw (4301352) 4x</p>	
<p><b>B</b> 6-32 Hex Nut (430164) 4x</p>	
<p><b>C</b> 11/64" Flat Washer (4301902) 4x</p>	

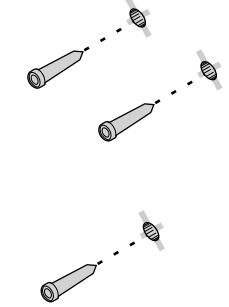
**Recommended Wall Fasteners**  
(NOT INCLUDED)

<p>#8 x Pan Head Screw 3x</p>	<p>Type and length to be determined by installer, depending on mounting surface.</p>
-------------------------------	--

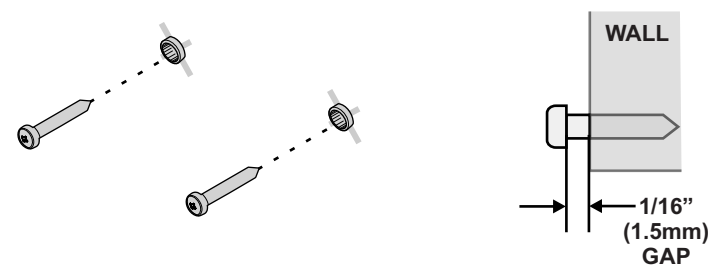
## Install top two wall mounting fasteners

**1** Mark and drill all three mounting holes

**2** Install wall anchors in all 3 holes (if required)

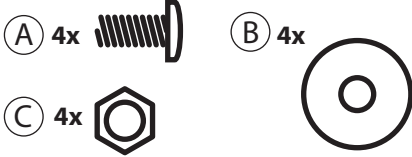


**3** Install top 2 screws ONLY  
Leave a 1/16" (1.5mm) gap between screw head and wall

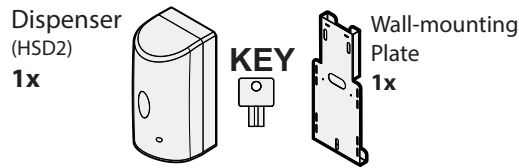


## 2A SAN003 ONLY

Actual Size:



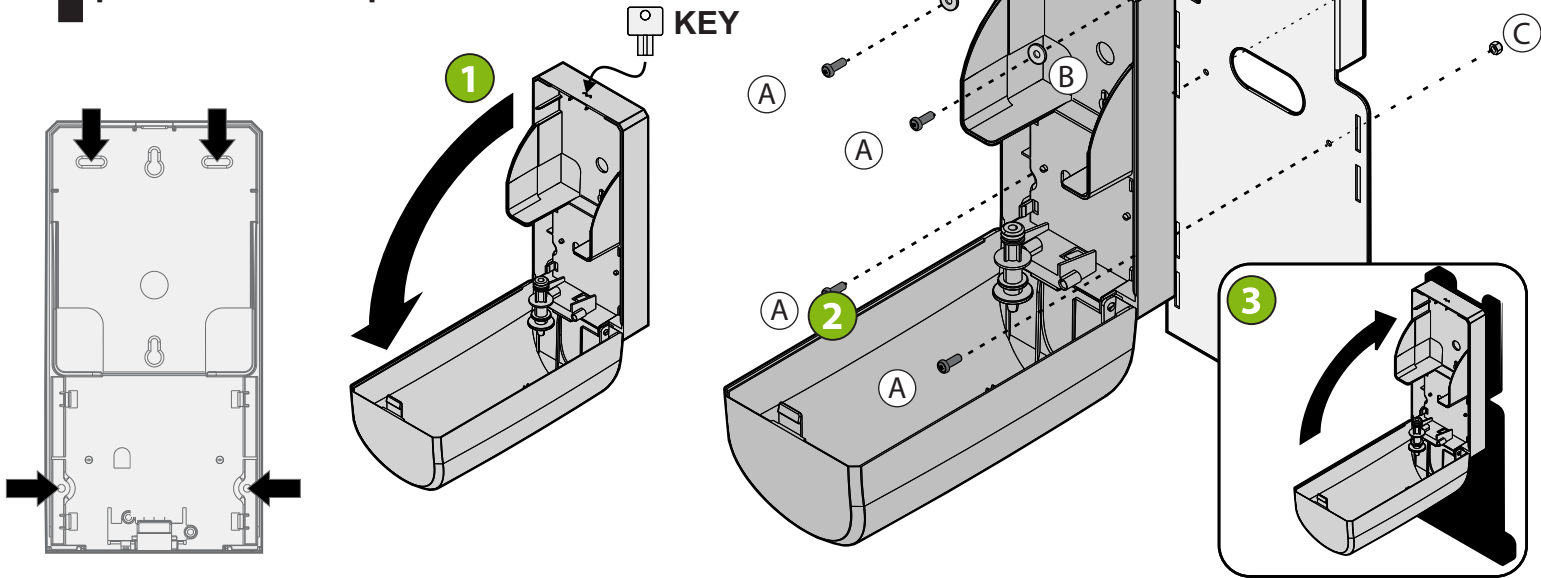
You will need: (Not to Scale)



### Install Dispenser onto Wall-mounting Plate

#### NOTE:

If you are using your own dispenser please proceed to next step (2B)

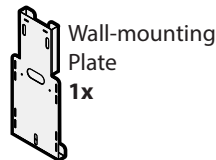


## 2B SAN003-0 ONLY

You will need: (Not to Scale)

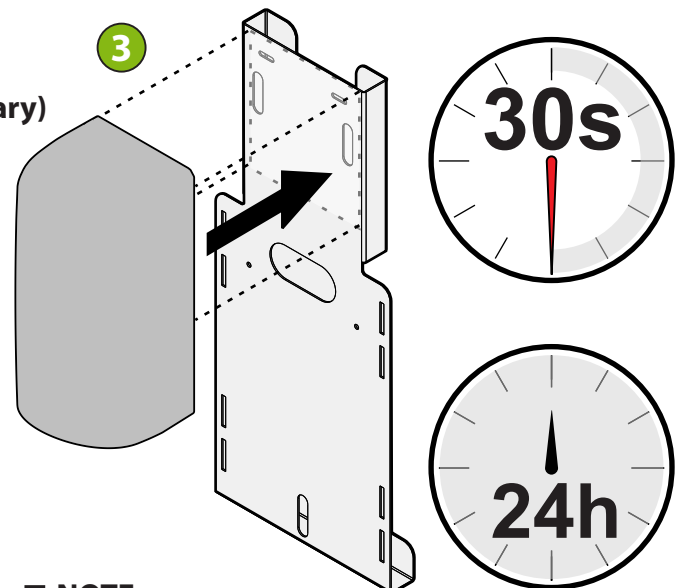
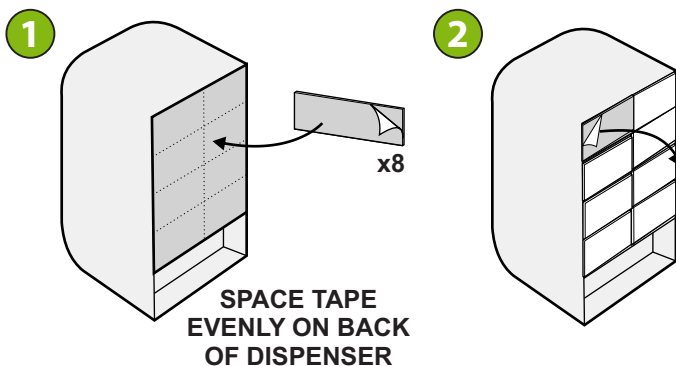


User Provided  
Dispenser  
1x



### Install your own dispenser

- 1 Peel off backing and press Adhesive Tape Strips onto your dispenser (use as many strips as necessary)
- 2 Peel off 2nd Adhesive Tape Backing
- 3 Press your dispenser firmly against plate for 30 seconds to ensure proper adhesion



#### NOTE:

After applying adhesive tape, wait 24 hours before filling dispenser.

3

Actual Size:

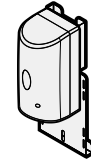
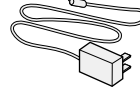
#8 x Pan Head Screw  
1x



Exact type and length of fastener determined by installer, depending on mounting surface.

You will need: (Not to Scale)

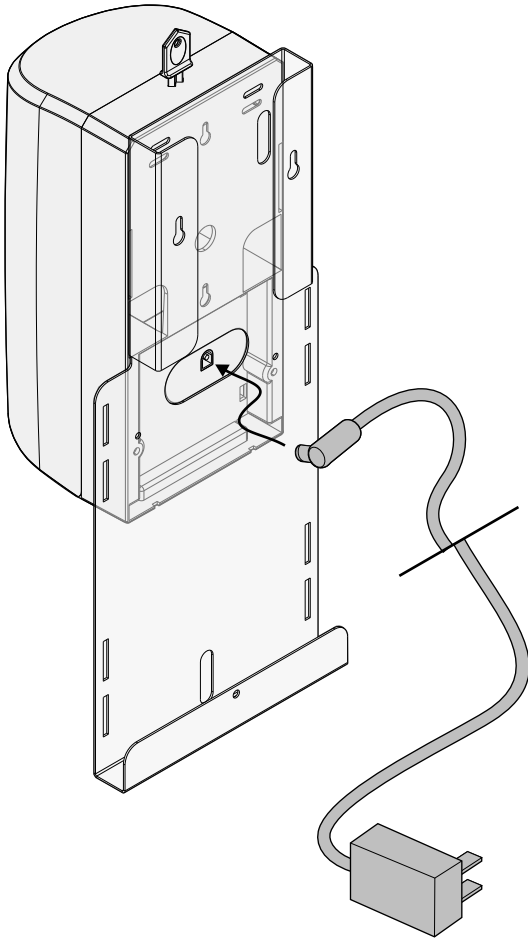
Dispenser Power Cable  
1x



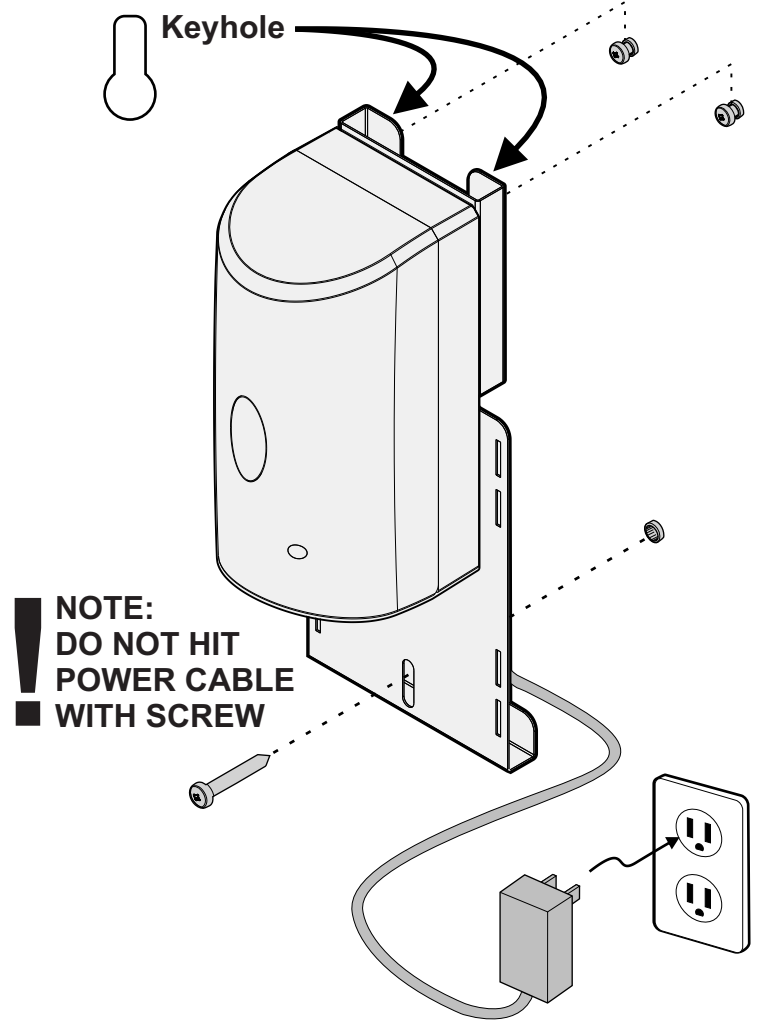
Dispenser mounted to Wall Plate  
1x

## Install Dispenser and Wall-mounting Plate onto wall

1 Plug Power Cable into Dispenser



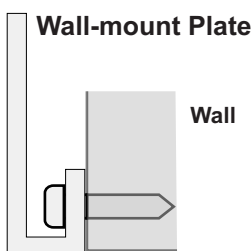
2 Hook keyholes on back of wall plate onto top 2 screws



3 Fasten bottom of Dispenser with screw

4 Plug in Dispenser power cable

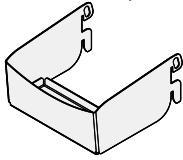
NOTE:  
Tighten screw all the way



4

You will need: (Not to Scale)

Child Lockout Safety Feature  
1x



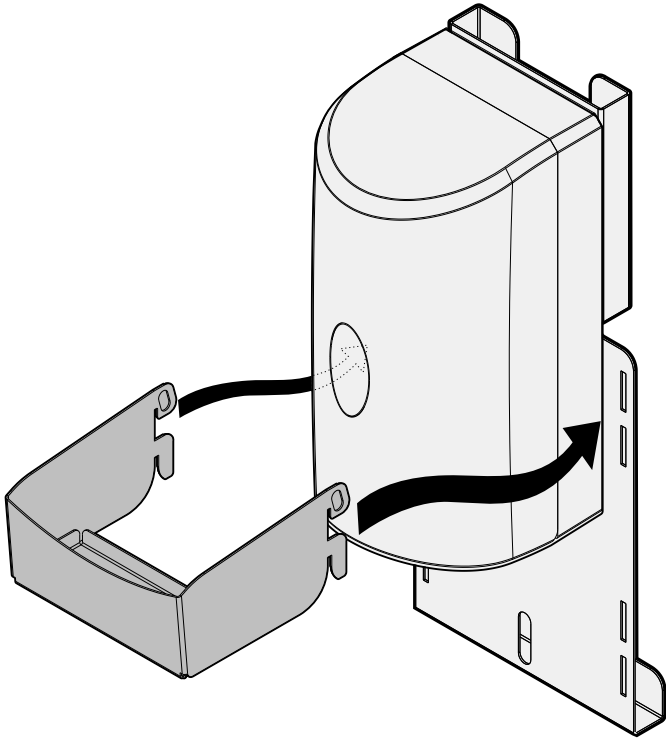
Padlock (NOT INCLUDED)  
1x



The child lock out safety feature prevents students from draining dispensers or ingesting sanitizer. This important feature is not found on generic hand sanitizer dispensers.

### Install Dispenser Lockout into locked or unlocked position

#### Dispenser - LOCKED



#### Dispenser - OPEN

