



Assembly Guide

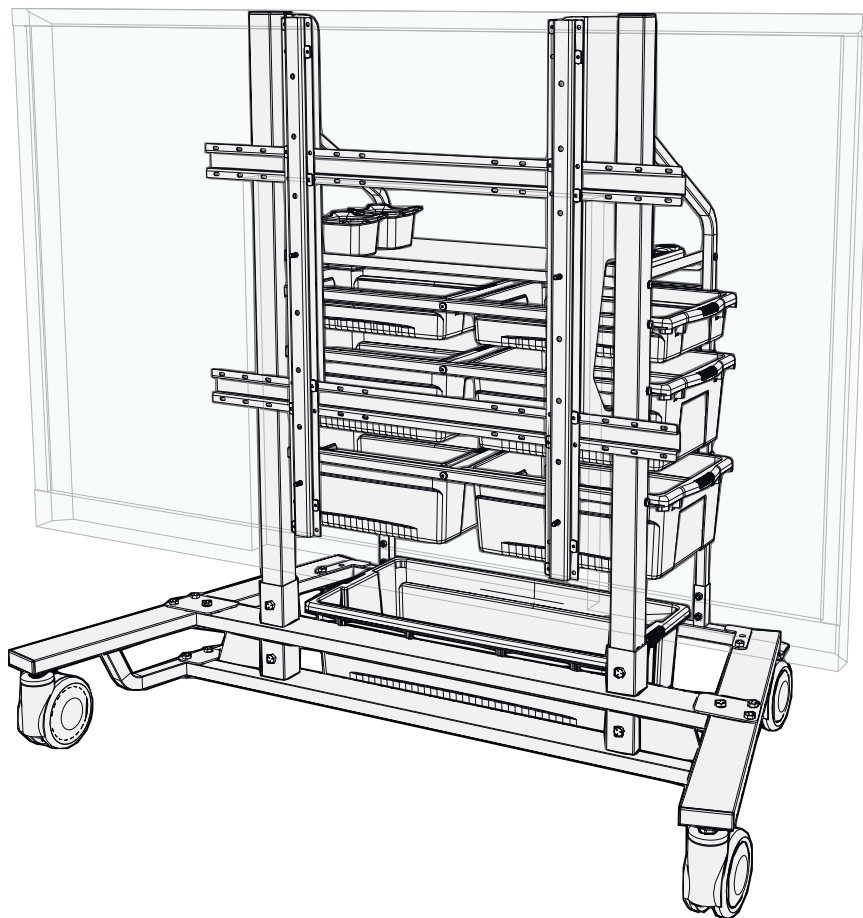
Check out our other products online at www.copernicused.com

For assistance, please contact us by telephone at **1-800-267-8494** or email at info@copernicused.com.

Have your packing slip ready for reference.

WARNING !

- **This product is meant to be assembled by an adult.**
- **In its unassembled state, small parts present a hazard.**
- **To be used under direct supervision of an adult.**
- **This cart is intended for institutional use.**



Shown with 65" Flat Panel (sold separately)



Warning – Supports a maximum screen size of 75".

Warning – For use with flat panel screens weighing 250 lbs (113.4 Kg) or less. Use with heavier flat panel screens may result in instability causing tip over resulting in death or serious injury.



Avertissement – Peut supporter une taille d'écran maximale de 75".

Avertissement – À utiliser seulement avec des écrans plats pesant jusqu'à 250 lb (113,4 kg) ou moins. L'utilisation avec des écrans plats plus lourds peut causer une instabilité provoquant un basculement qui risque la mort ou des blessures graves.

Customer Service & Warranty Information

Dear Educator,

Thank you for purchasing the iRover2™ Interactive Flat Panel Easel. We hope it meets your expectations and you and your students enjoy using it at your school.

Every day we see and hear stories of teachers going above and beyond to help students thrive. Thank you so much for all you do – you are awesome, and you make a difference.

Thank you for inspiring us.

If you have any questions, concerns or ideas on how we can improve please let us know by contacting our Customer Solutions Ninjas at 1-800-267-8494 or info@copernicused.com.

Happy teaching,

Kaylyn Belcourt, President
kaylyn@copernicused.com



We do not inherit the earth from our ancestors, we borrow it from our children.

- NATIVE AMERICAN PROVERB

Change is the end result of all true learning.

- LEO BUSCAGLIA

What you leave behind is not what is engraved in stone monuments, but what is woven into the lives of others.

- PERICLES

Education is the most powerful weapon which you can use to change the world.

- NELSON MANDELA

For missing parts and other issues regarding your product:

Please contact Customer Service, where we will be happy to help.

Telephone: 1-800-267-8494, Monday - Friday 8:00am - 4:30 pm EST

Email: info@copernicused.com

My flat panel isn't working, who should I call?

Please contact the reseller that you bought the product from.

**Need Support?
Have a Question?**



[Email Customer Service](mailto:info@copernicused.com)

**Check out some of our
other great products!**



www.copernicused.com



Register your Product

Registering your warranty ensures we have all the information we need to make any future warranty claims quick and easy. Please visit www.copernicused.com/warranty and complete the form within 10 business days from product assembly. By registering your product, you will be entered into a draw to win Copernicus product.

Make a Warranty Claim

We offer a Lifetime Warranty on almost everything we make. Please call 1-800-267-8494 or email info@copernicused.com to start your warranty claim. Proof of purchase will be required upon warranty claim (i.e. copy of invoice).

Tips for Assembly

Before You Begin:

- Lay out and identify all of the included parts.
- The hardware has been packed according to together in one bag
- Read the assembly guide over once to familiarize yourself with them.

As You Assemble the Unit:

- Follow the steps in sequence.
- Before beginning each step, find the part(s) that you need for that step.
- The title of each step states what you will be doing. Review the text and the pictures as you build the unit.

Watch for These Helpful Symbols:



2-Person Task

For safety, please have someone help you when working on steps displaying this symbol.



The symbol denotes a step needing extra attention to ensure it is done correctly.



Important Information! Warning!

Please read the warnings below for important safety information regarding your product. Failure to read these warnings or to follow the instructions below could result in personal injury or damage to your product that could void your warranty.



Small Parts

In its unassembled state, this product contains parts that can be hazardous to small children. This product should be assembled by an adult.



Adult Supervision

This product is to be used under the supervision of an adult.



Indoor Use Only

This product is intended for indoor commercial use only. To reduce the risk of fire or electric shock, do not expose this product to rain or moisture. The internal components are not sealed from the environment.



Power Strip Specifications

Read your power strip electrical specifications. Only plug in devices that are approved for use with this power strip. Connect the supplied power strip directly to a wall outlet. **Do not connect to another power strip or use an extension cord.** Turn off power strip before unplugging. Unplug when not in use.



Electronic Equipment

Read the electrical specifications of any electronic equipment you are using with your Copernicus products. Failure to read these specifications and follow their instructions could result in damage to your equipment or personal injury.

Relocating audio and/or video equipment to furniture not specifically designed to support audio and/or video equipment may result in death or serious injury due to the furnishing collapsing or over turning onto a child.



Cable Trip Hazard

Ensure that any cables extending across the floor to your product are properly bundled and marked to avoid tripping or falling which may lead to personal injury.



Electrical Shock

Do not install or use the electrical components of this unit during a lightning storm.



Climb Hazard

Death or serious injury may occur when children climb on audio and/or video equipment furniture. A remote control or toys placed on the furnishing may encourage a child to climb on the furnishing and as a result the furnishing may tip over on to the child. Do not climb on, hang from or suspend objects from any components of your product unless otherwise specified.

Parts

Before beginning, you should have:

Additional tools required:

Adjustable wrench (2x)



OR

7/16" Wrench (2x)
9/16" Wrench (2x)

+

Screwdriver

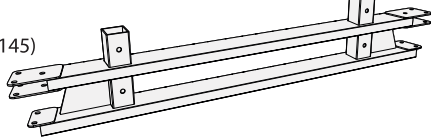


Phillips #2 or #3

Contents - Box 0

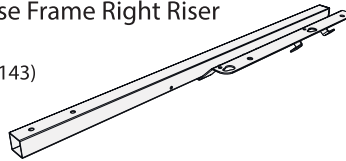
Base Frame Front Stretcher

1x
(33145)



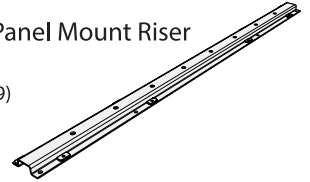
Base Frame Right Riser

1x
(33143)



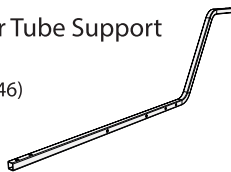
Flat Panel Mount Riser

2x
(33149)



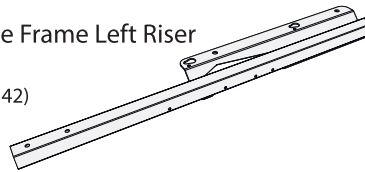
Rear Tube Support

2x
(33146)



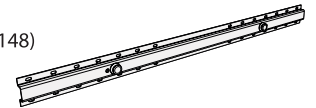
Base Frame Left Riser

1x
(33142)



Flat Panel Mount Stretcher

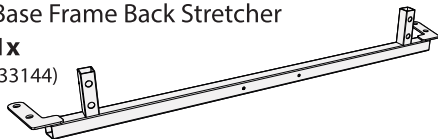
2x
(33148)



Contents - Box 1

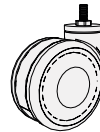
Base Frame Back Stretcher

1x
(33144)



5" Caster

2x
(410066)



Tiny Tub - Orange

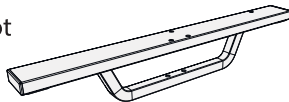
2x
(CC4072-O)



1 lbs Weight Limit

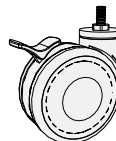
Left Foot

1x
(32254L)



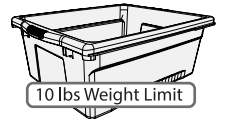
5" Locking Caster

2x
(410065)



Open Tub - Red, Blue, Yellow,
Green

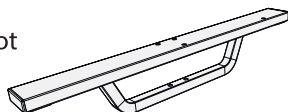
4x
(CC4068-R)
(CC4068-B)
(CC4068-Y)
(CC4068-G)



10 lbs Weight Limit

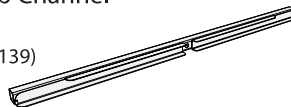
Right Foot

1x
(32254R)



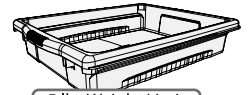
Tub Channel

6x
(33139)



Shallow Tub - Red, Blue

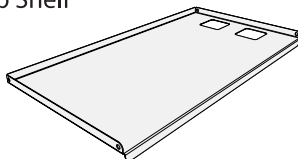
2x
(CC4074-R)
(CC4074-B)



5 lbs Weight Limit

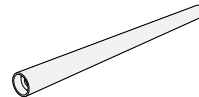
Laptop Shelf

1x
(32260)



Tub Channel Joining Stretcher

3x
(33141)



Really Big Tub - Blue

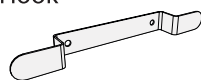
1x
(CC4073)



15 lbs Weight Limit

Cable Hook

1x
(34091)



6 Outlet Powerbar

1x
(25515)



... hardware on following page

Hardware

Before beginning, you should have:

Hardware:
Actual Size

(A) 3/8" x 1-1/2" Bolt
(43308)
12x



(B) 3/8" x 2-1/4" Bolt
(43310)
4x



(C) #10-24 x 1/2" Self Tapping Screw
(4302012)
8x



(D) 1/4" x 3/4" Self Tapping Screw
(4300510)
6x



(V) 1/4" x 1" Screw
(43004)
2x



(E) 1/4" x 1-1/4" Screw
(43005)
8x



(F) 1/4" x 1-1/2" Screw
(43006)
12x



(G) 1/4" x 2-1/4" Screw
(43034)
2x



(H) 1/4" x 2-1/2" Screw
(430082)
6x



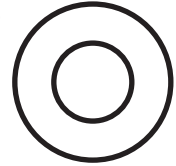
(I) 1/4" Lock Nut
(430101)
8x



(J) 3/8" Lock Nut
(430122)
16x



(K) 3/8" Flat Washer
(430197)
6x



(L) #10-24" Flat Washer
(4301002)
8x



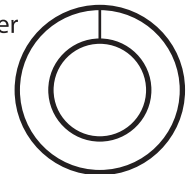
(M) 1/4" Lock Washer
(43010)
32x



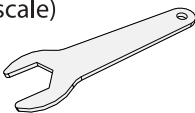
(N) 5/16" Lock Washer
(43025)
4x



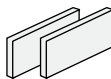
(O) 1/2" Lock Washer
(43010211)
4x



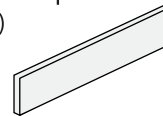
Caster Wrench
(not to scale)
1x
(320955)



Hook & Loop Tape
(not to scale)
1x
(43322, 43323)



Hook & Loop Straps
(not to scale)
6x
(43321)



Metric VESA Mounting Hardware

(P) M6 x 15mm VESA Screw
(432151)
4x



(Q) M6 x 20mm VESA Screw
(43222)
4x



(R) M8 x 15mm VESA Screw
(432764)
4x



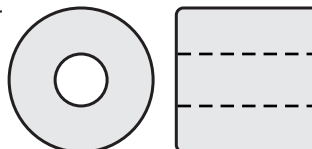
(S) M8 x 25mm VESA Screw
(432765)
4x



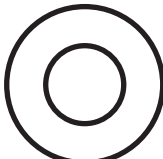
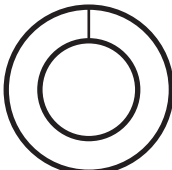
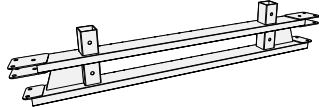
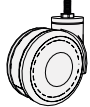

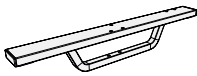
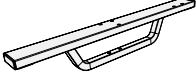


(T) M8 x 40mm
4x
(432762)



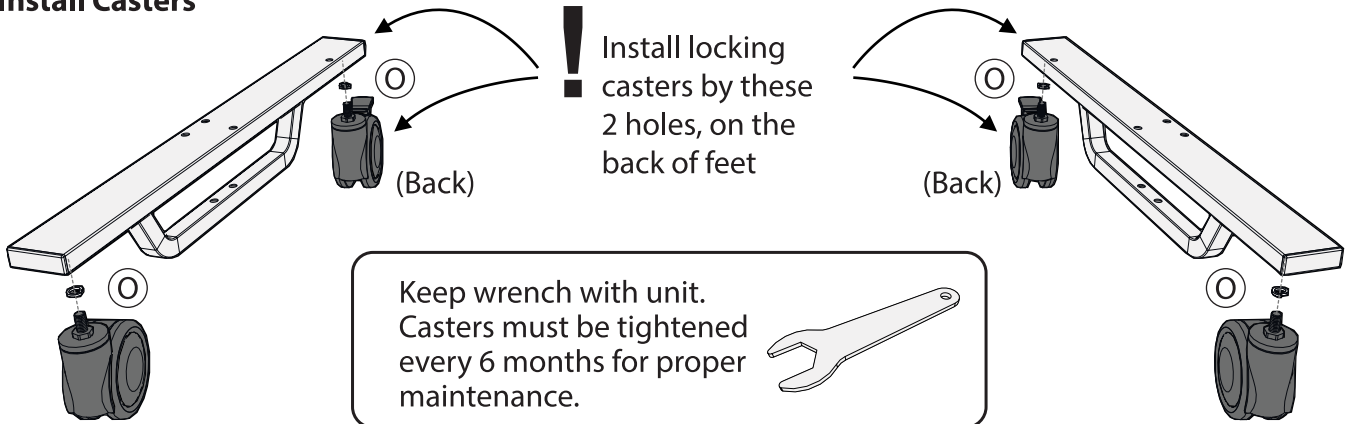
(U) 3/4" Spacer
4x
(4303141)



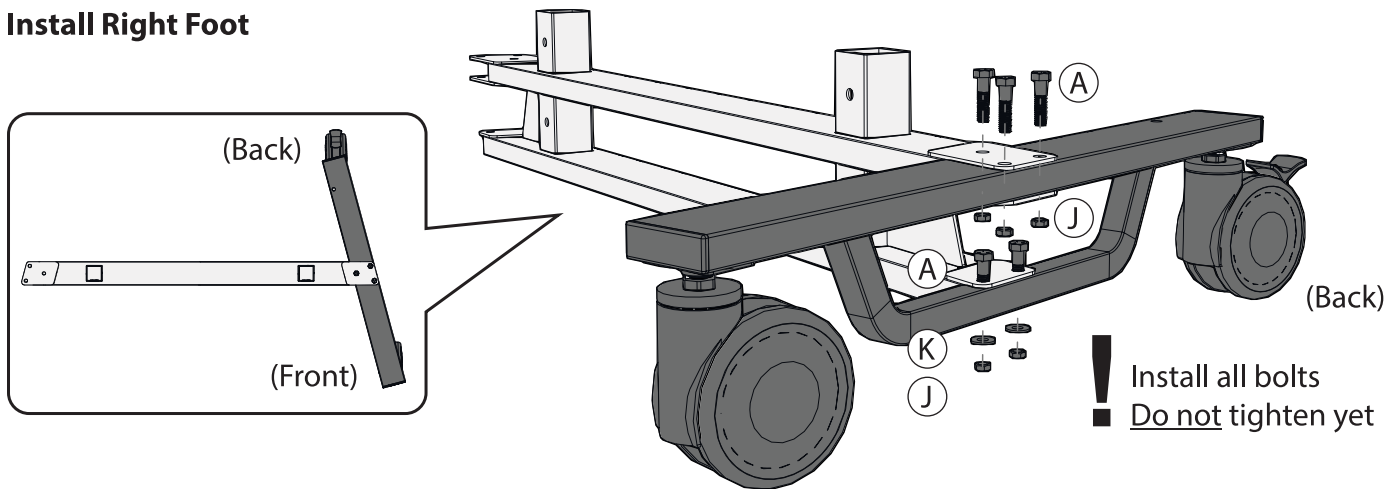
1	Actual Size:	 A 10x	 J 10x	 K 4x	 O 4x	
	You will need: (Not to Scale)	 Base Frame Front Stretcher 1x	 5" Caster 2x	 5" Locking Caster 2x	 Left Foot 1x	 Right Foot 1x

Assembly Base Frame

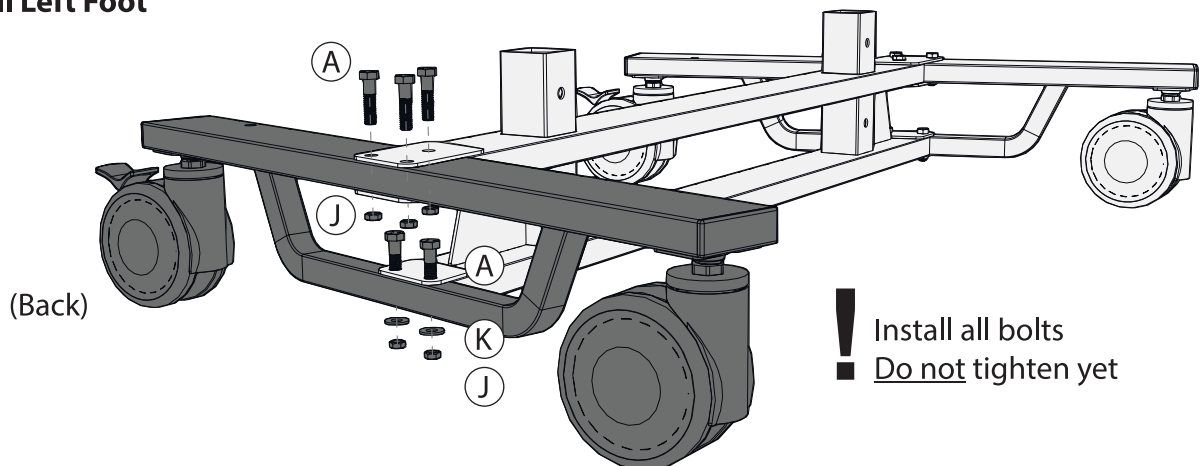
A Install Casters



B Install Right Foot

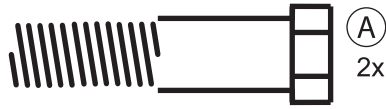


C Install Left Foot

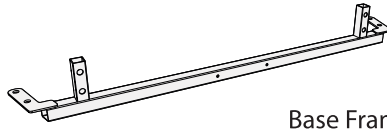


2

Actual Size:



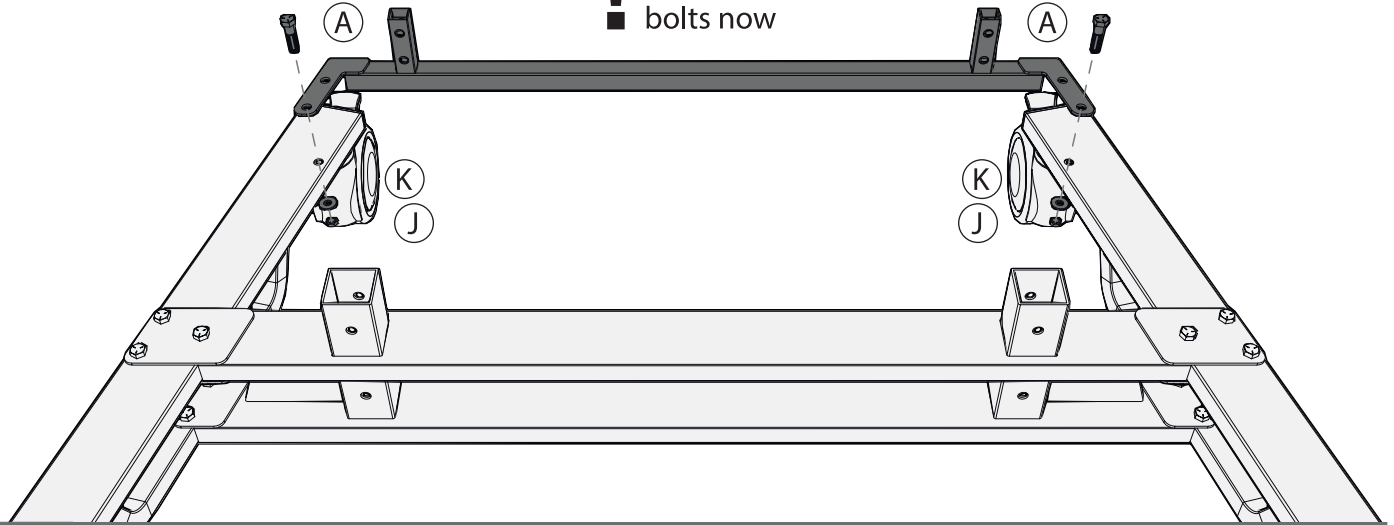
You will need: (Not to Scale)



Base Frame Back Stretcher
1x

Install Back Stretcher

! Tighten all bolts now

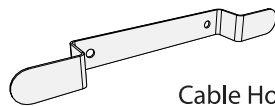


3

Actual Size:



You will need: (Not to Scale)



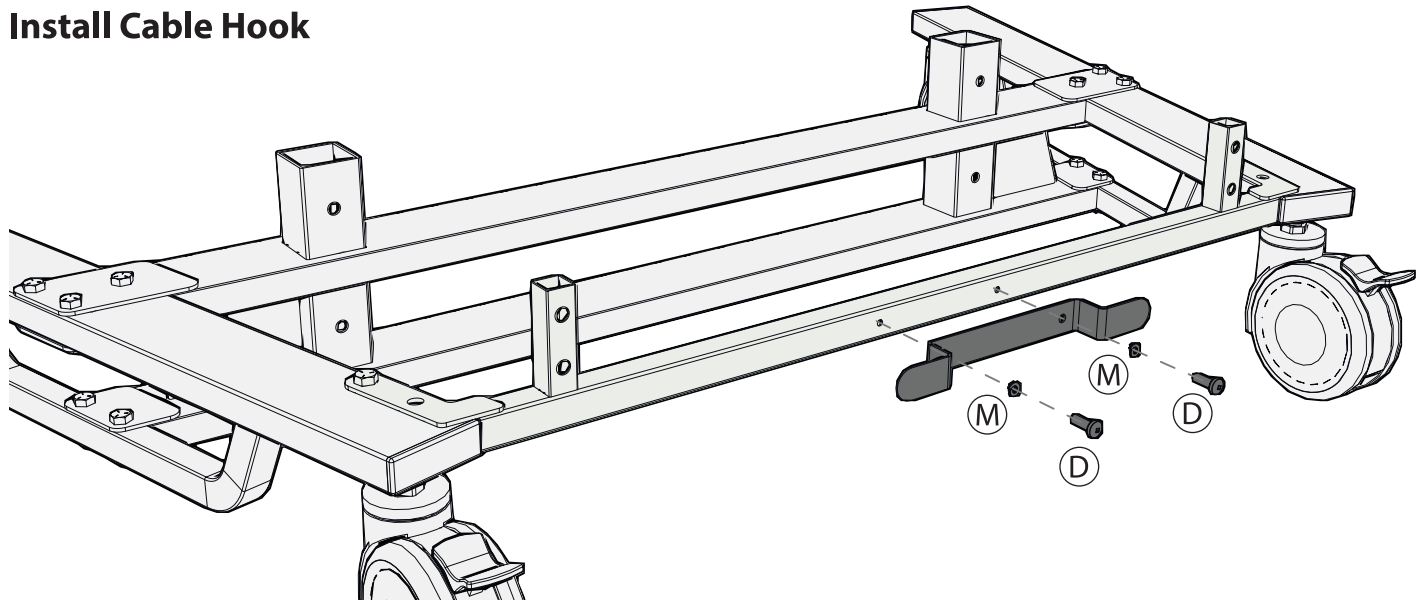
Cable Hook
1x

Screwdriver



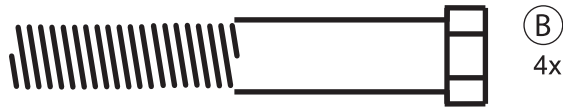
Phillips #2 or #3

Install Cable Hook

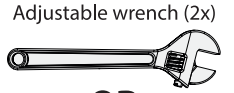
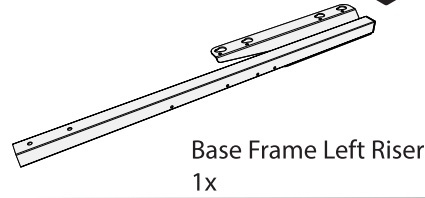
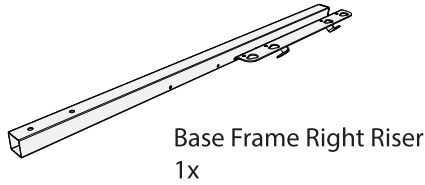


4

Actual Size:



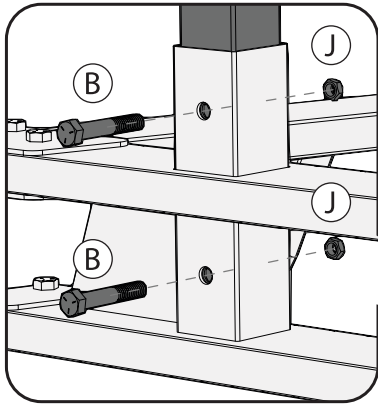
You will need: (Not to Scale)



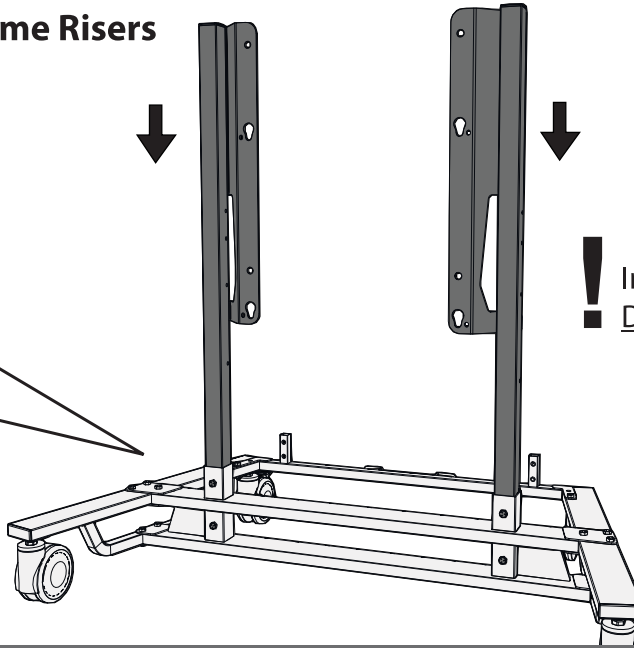
OR

9/16" Wrench (2x)

Install Left & Right Base Frame Risers



2x



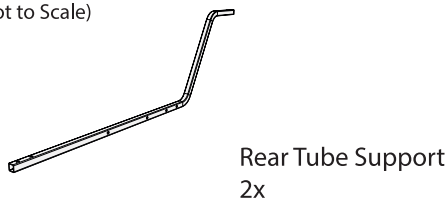
! Install bolts on both sides
Do not tighten yet

5

Actual Size:



You will need: (Not to Scale)

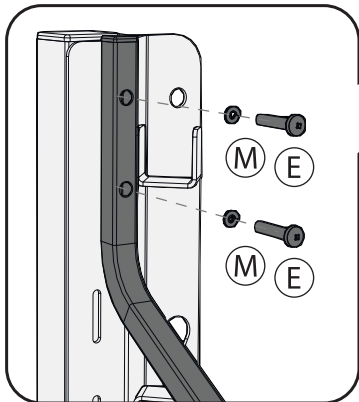


Rear Tube Support
2x

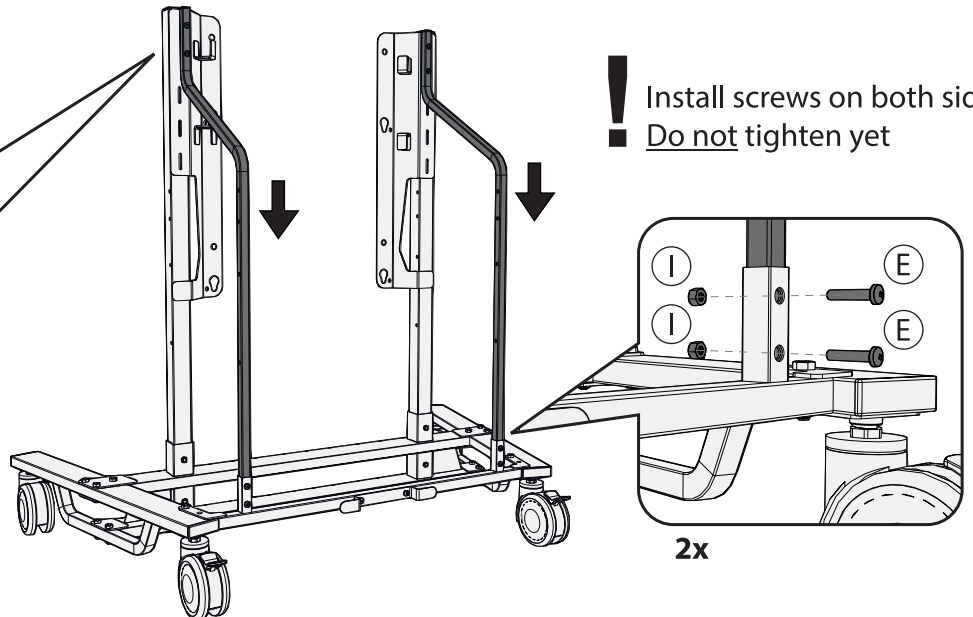
Screwdriver



Install Rear Tube Supports



2x



! Install screws on both sides
Do not tighten yet

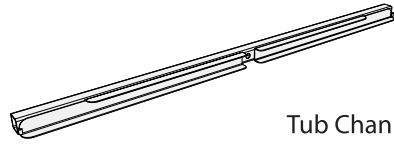
2x

6

Actual Size:



You will need: (Not to Scale)



Tub Channel
6x

Screwdriver

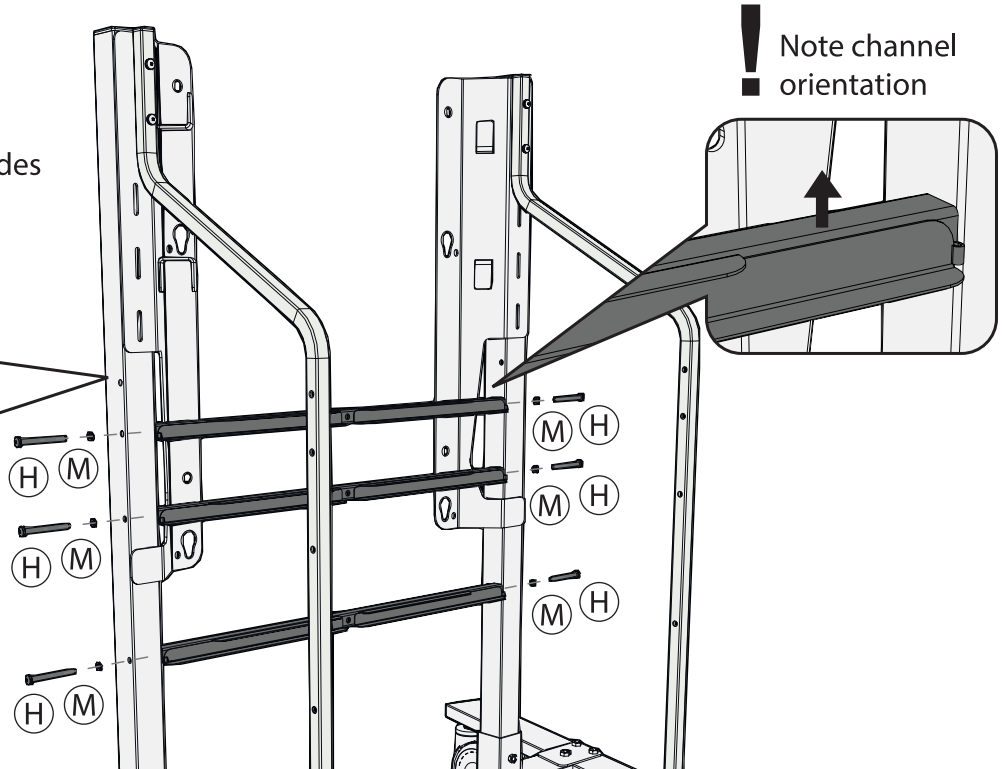
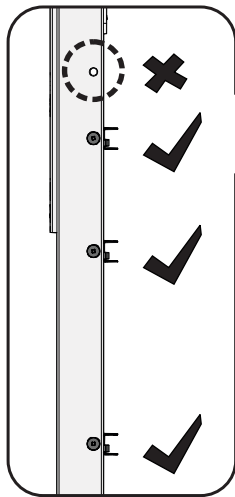


Phillips #2 or #3

Installing Tub Channels

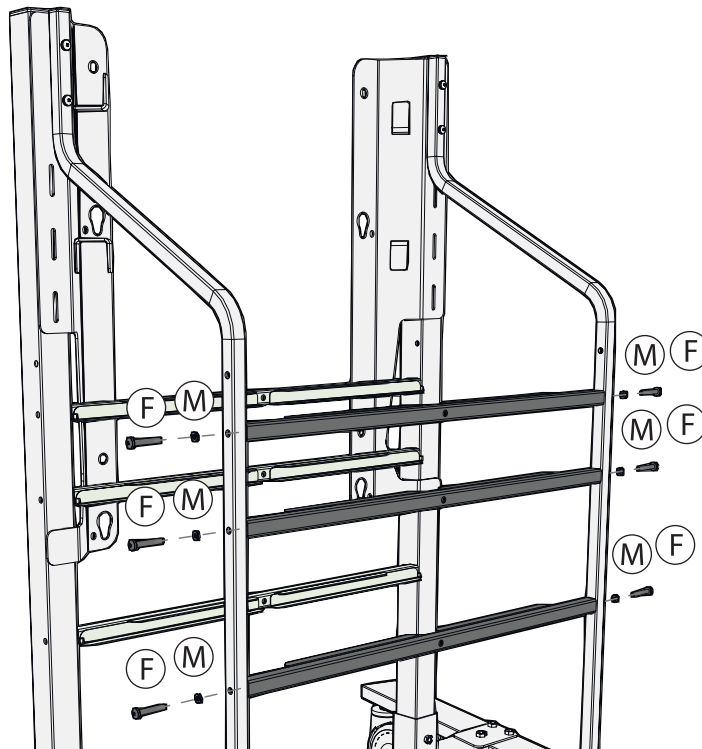
A Install Front Tub Channels

- ! Install hardware on both sides
- Do not tighten yet



B Install Rear Tub Channels

- ! Install hardware on both sides
- Do not tighten yet

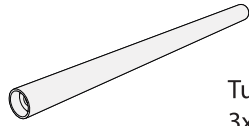


7

Actual Size:



You will need: (Not to Scale)



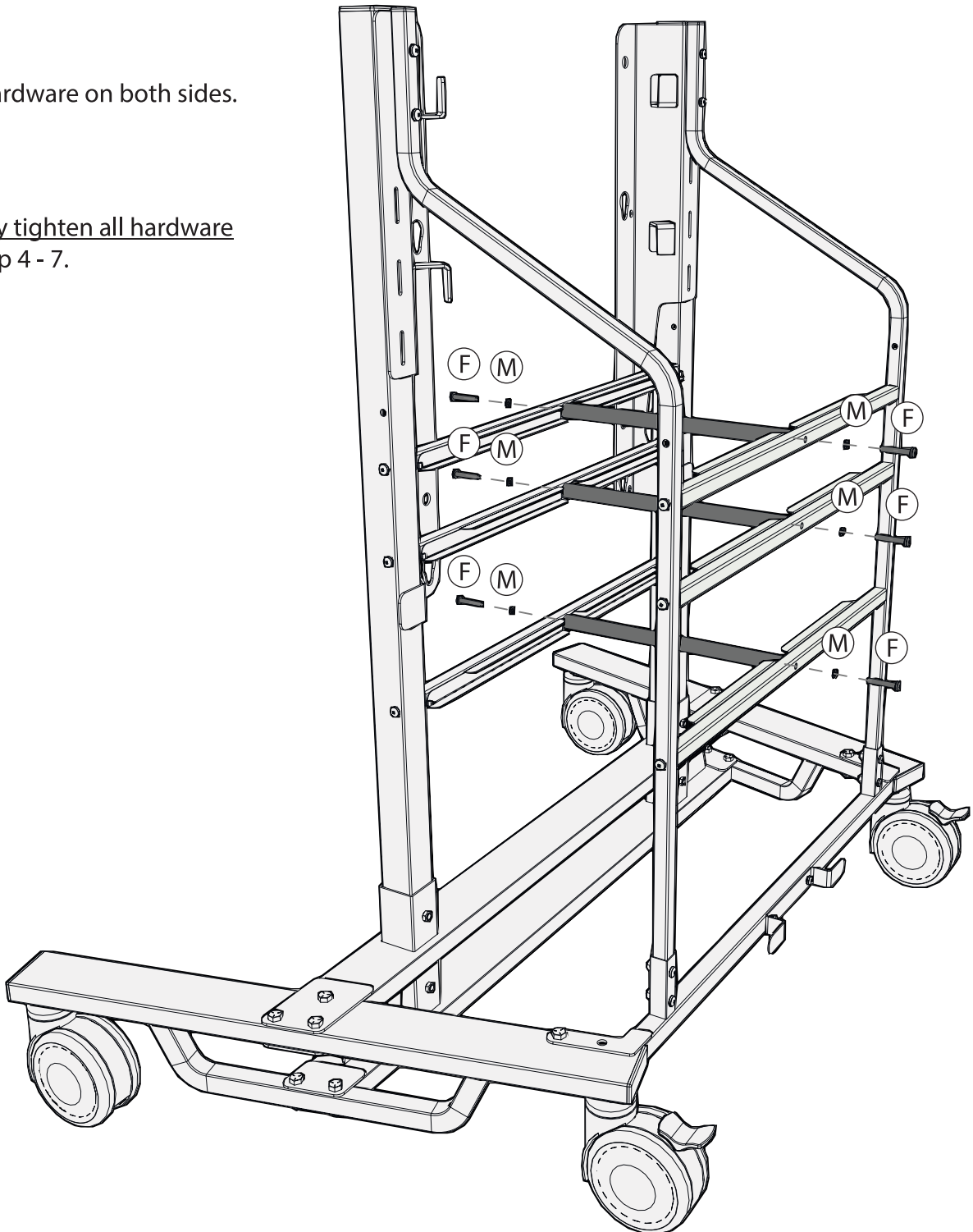
Tub Channel Joining Stretcher
3x

Screwdriver



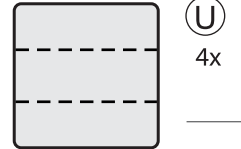
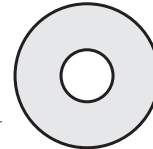
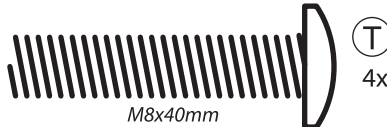
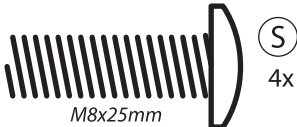
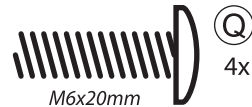
Install Tub Joining Stretchers

- A Install hardware on both sides.
- B Now fully tighten all hardware from Step 4 - 7.



8

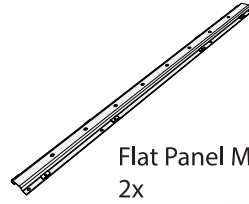
Actual Size:



You will need: (Not to Scale)



Compatible flat panel
(sold separately)
1x



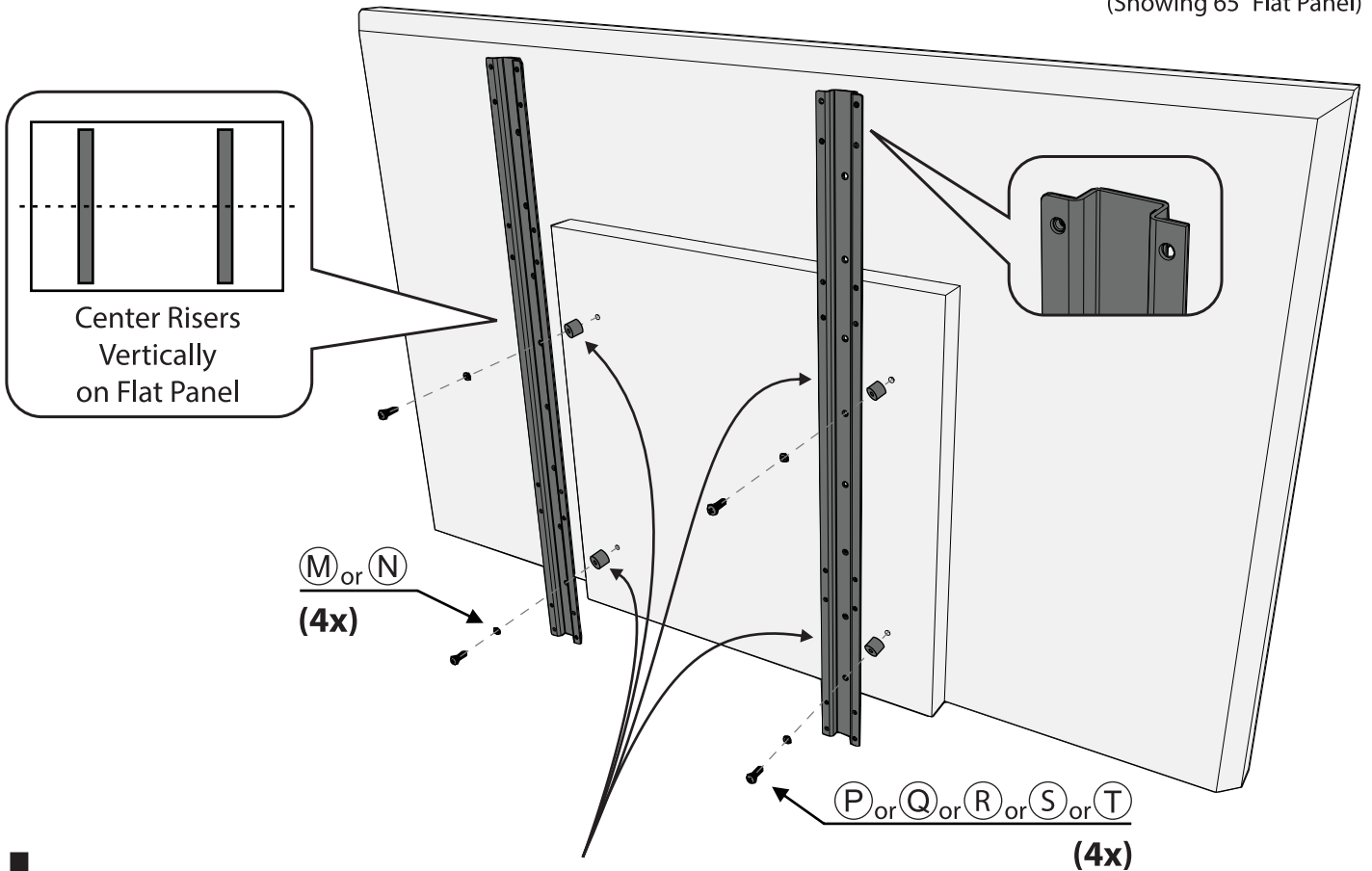
Flat Panel Mount Riser
2x

Screwdriver
⊕ Phillips #2 or #3

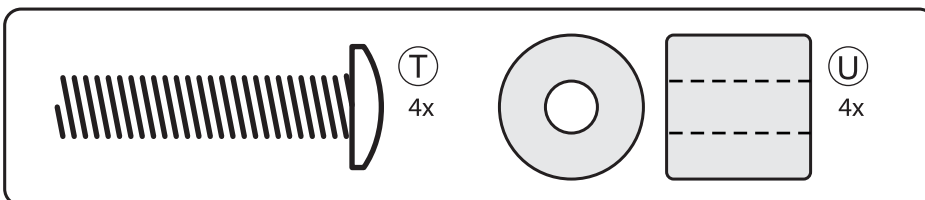
Attaching Your Flat Panel Mount Risers

! Check your flat panel owners manual to determine correct VESA screw size and torque specifications to avoid causing damage to your flat panel.

(Showing 65" Flat Panel)



! For TVs without a flat back (Ex. Promethean) use the provided 3/4" spacers and longer screws. Install spacers between mount and TV.



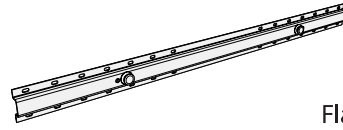
9

Actual Size:



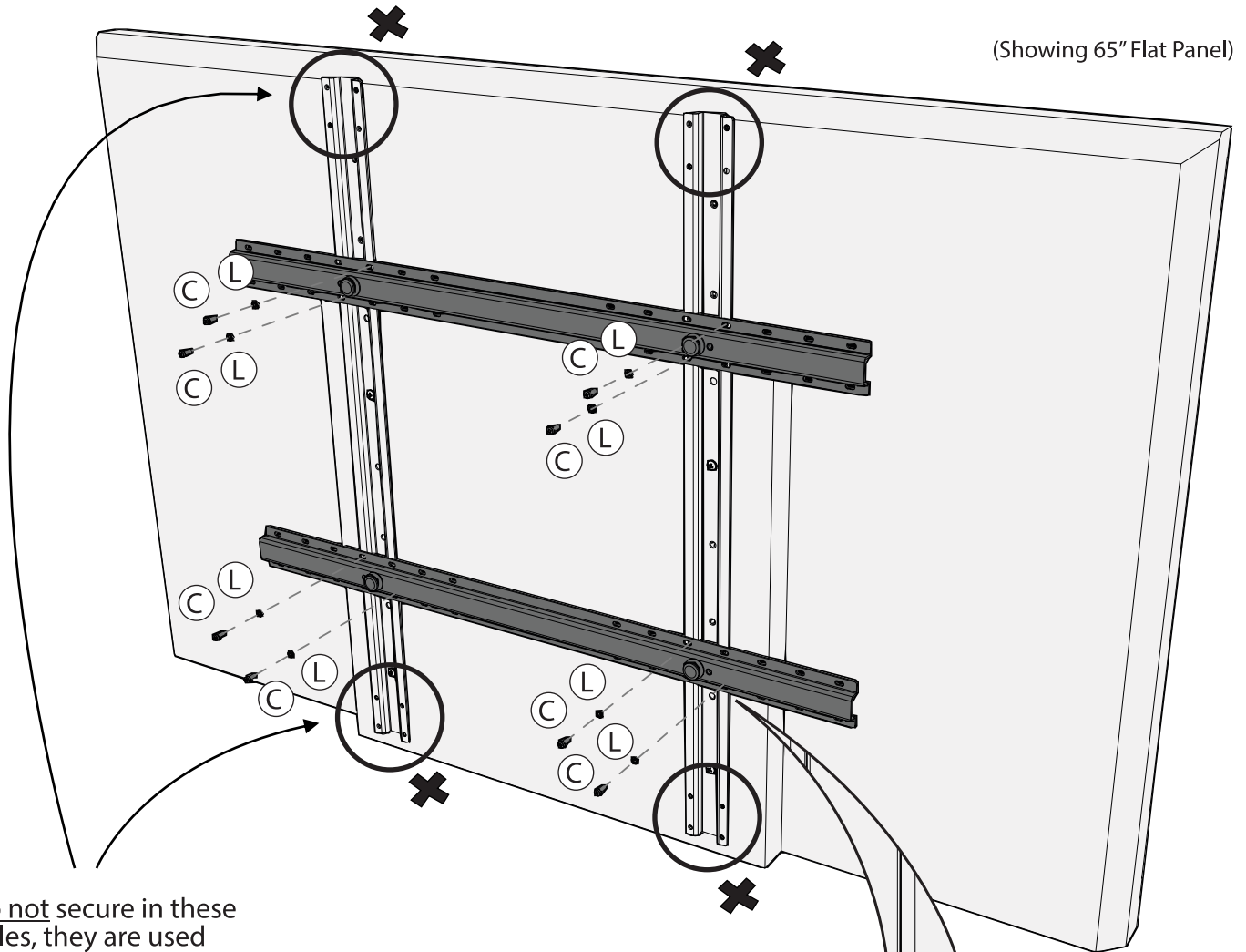
You will need: (Not to Scale)

Screwdriver
⊕ Phillips #2 or #3



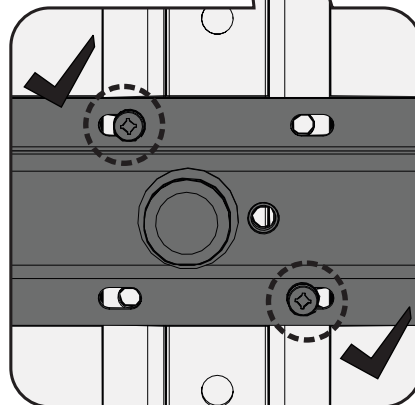
Flat Panel Mount Stretcher
2x

Install Flat Panel Mount Stretchers



! Do not secure in these holes, they are used for attaching an optional soundbar mount

! Install screws in holes with threads, only 2 of 4 holes will have threads



10

Actual Size:



2-Person Task

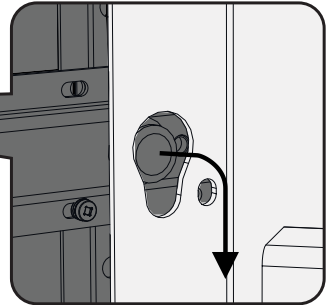
You will need: (Not to Scale)

Screwdriver

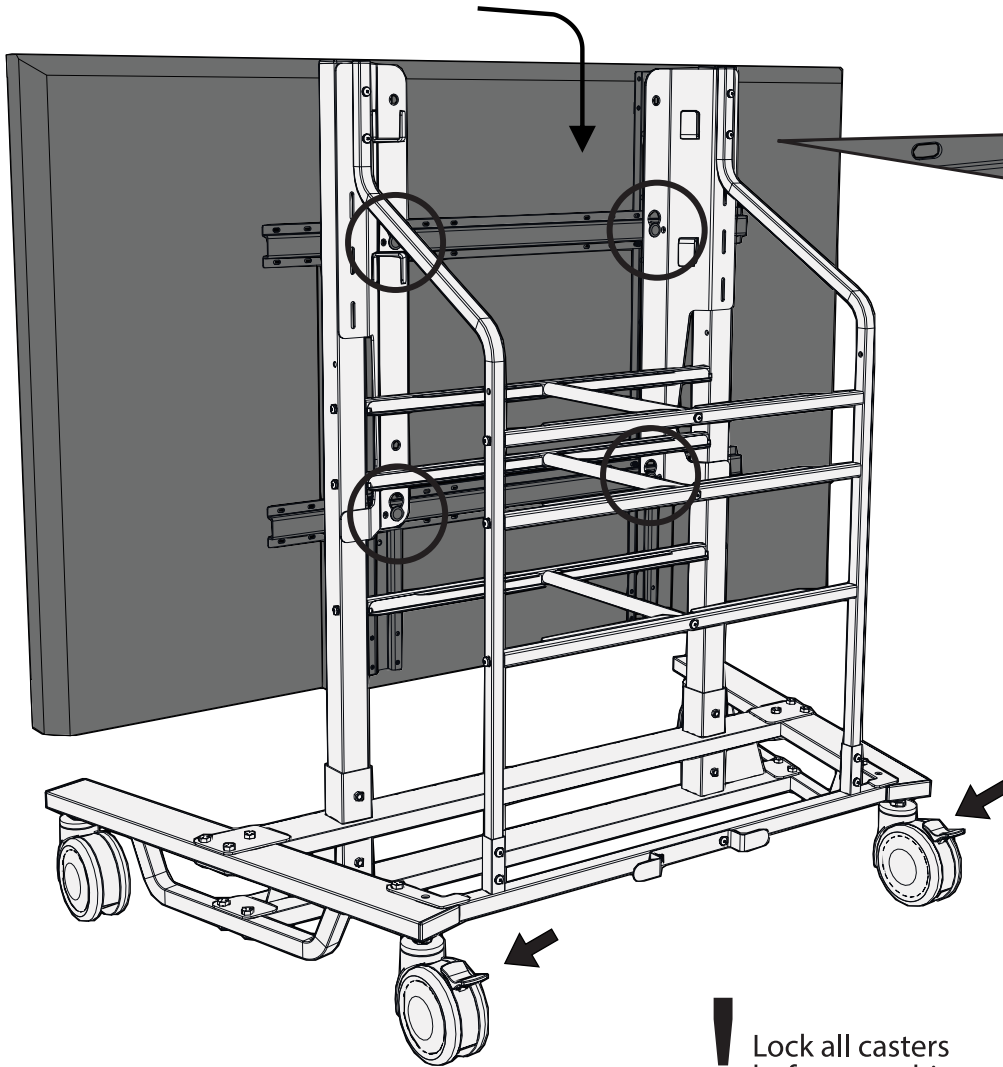
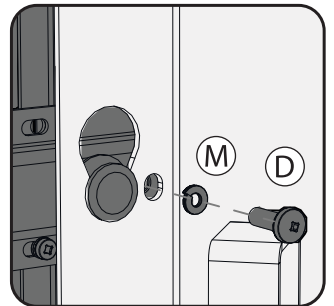


Secure Flat Panel To Cart

A Insert all 4 adapters into keyholes.



B Insert all 4 Safety Screws



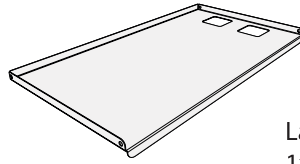
! Lock all casters before attaching flat panel to cart

11

Actual Size:



You will need: (Not to Scale)

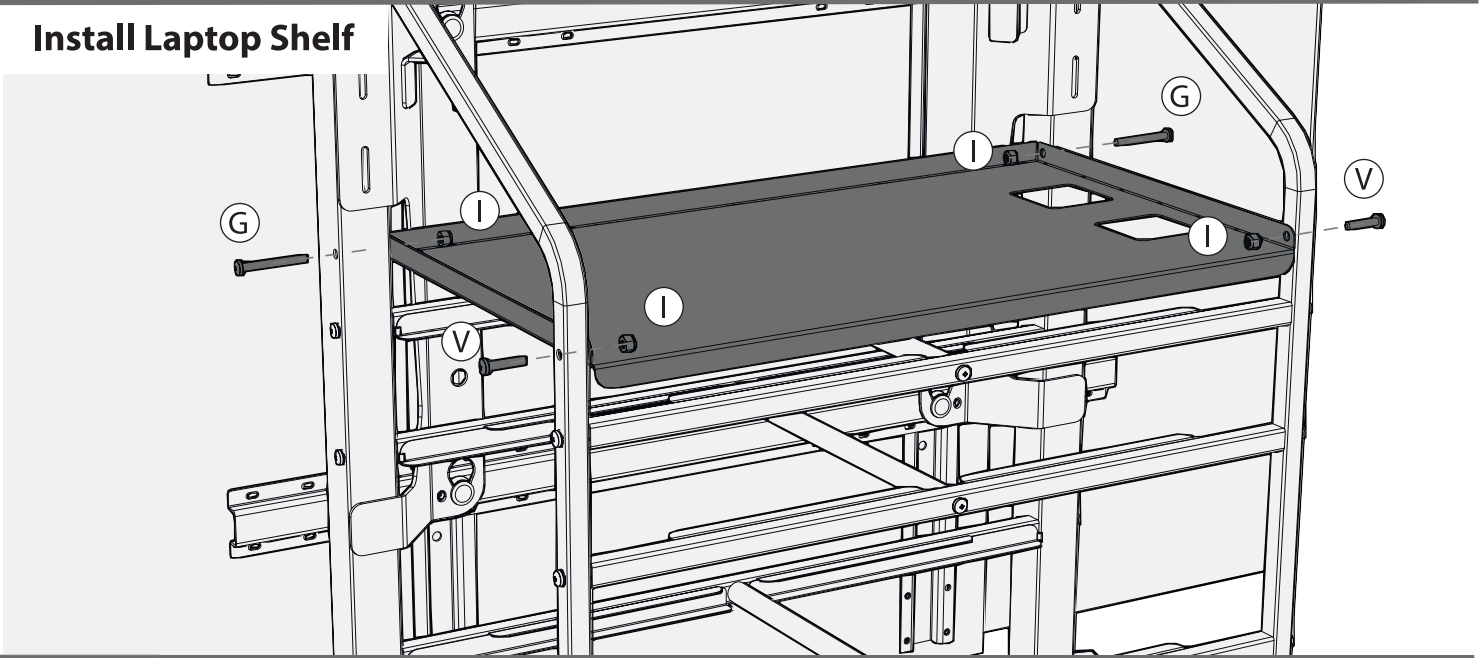


Laptop Shelf
1x

Screwdriver



Install Laptop Shelf



12

Actual Size:

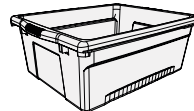
You will need: (Not to Scale)



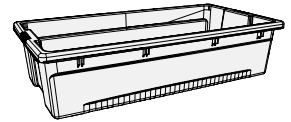
Tiny Tub
2x



Shallow Tub
2x

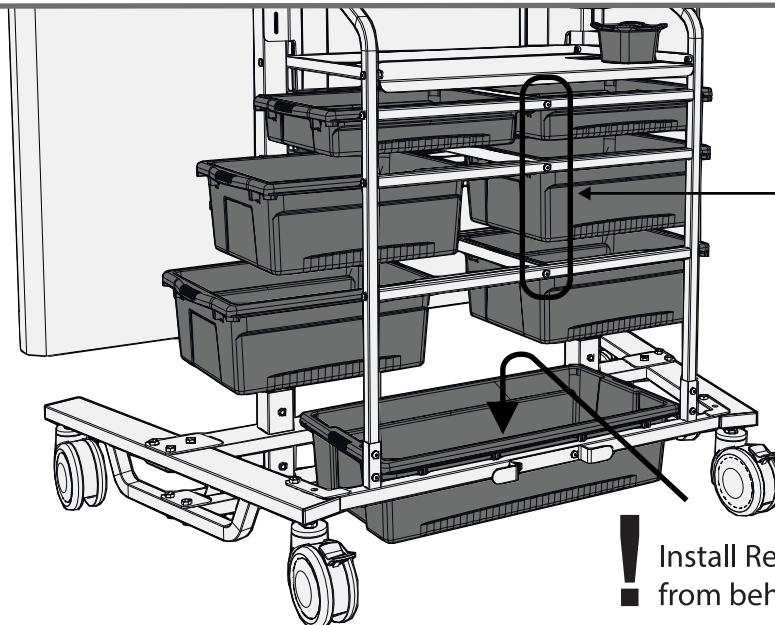


Open Tub
4x



Really Big Tub
1x

Install Tubs



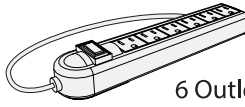
! If you have difficulty inserting tubs into channels **loosen these screw from Step 7 and insert the tubs then retighten screws.**

! Install Really Big Tub from behind

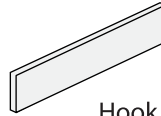
13

Actual Size:

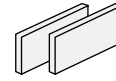
You will need: (Not to Scale)



6 Outlet Powerbar
1x

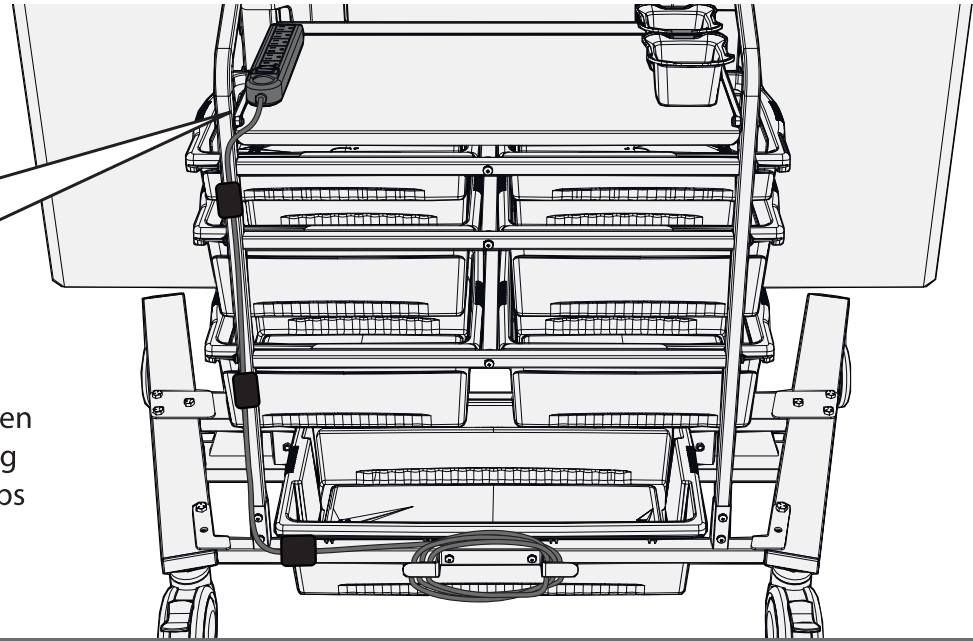
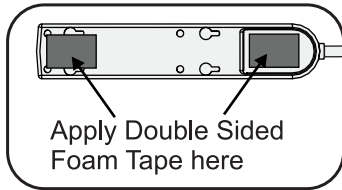


Hook & Loop Straps
6x



Hook & Loop Tape
1x

Install Powerbar



! Wrap your power cord when not in use and secure using supplied hook & loop straps

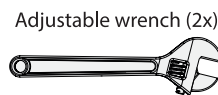
14

Actual Size:

You will need: (Not to Scale)



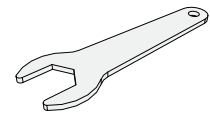
+



OR

7/16" Wrench (2x)
9/16" Wrench (2x)

+



Caster Wrench
1x

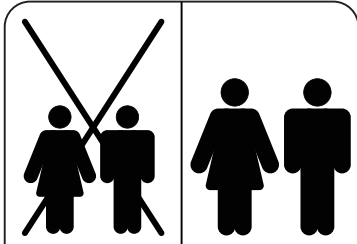
Final Assembly Checks

Check entire assembly for loose parts; tighten all casters, bolts, screws and nuts

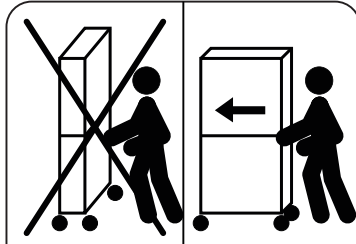
! Tighten all casters using supplied Caster Wrench.
Keep wrench with unit. Casters must be tightened every 6 months for proper maintenance.



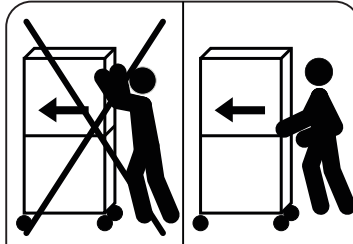
Warning - Can tip over resulting in risk of injury.
Do not allow children under 16 to move cart.
Move cart slowly.



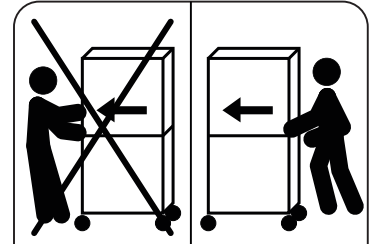
**ONLY ADULTS SHOULD
MOVE THIS UNIT**



**APPLY MOVING FORCE
ON NARROW
DIMENSION**



**NEVER APPLY FORCE AT
TOP - ALWAYS PUSH
NEAR MIDDLE**



PUSH, DON'T PULL