

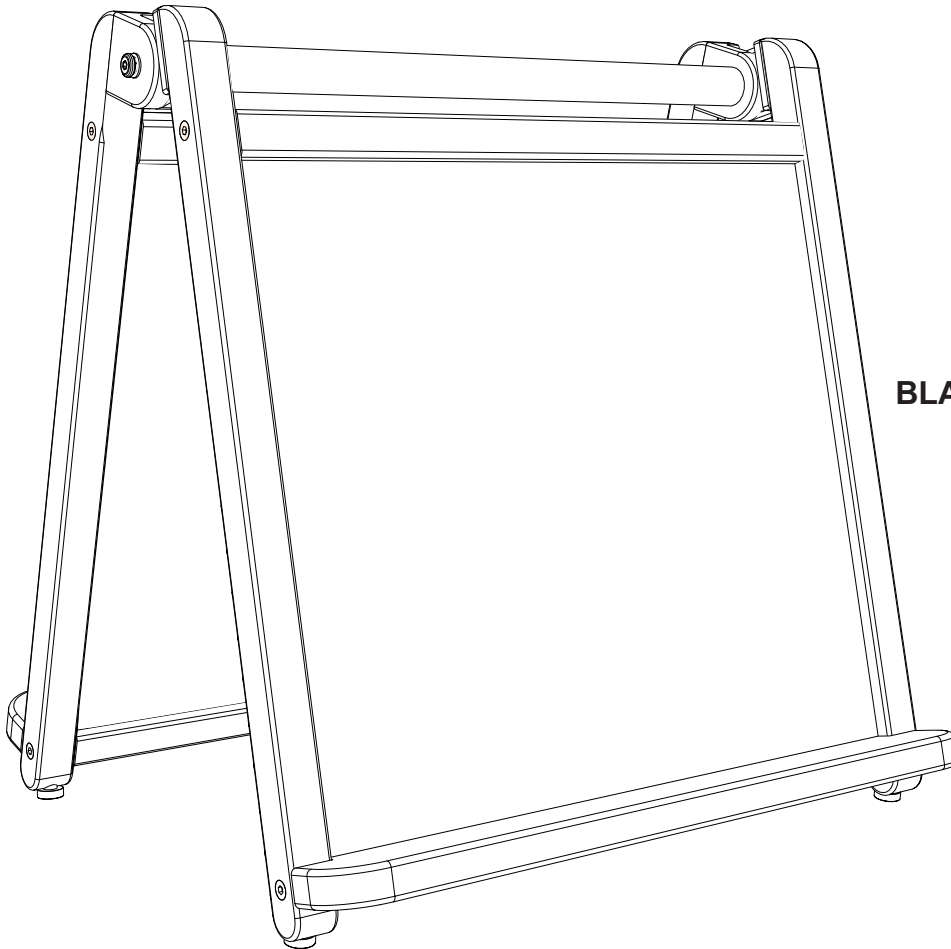


Assembly Guide

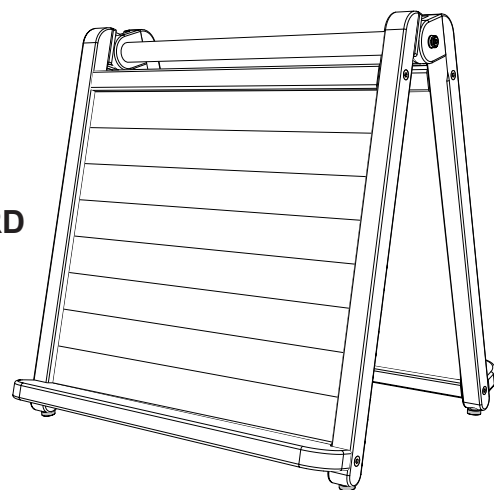
Check out our other products online at www.copernicused.com

For assistance, please contact us by telephone at **1-800-267-8494** or email at info@copernicused.com.

Have your packing slip ready for reference.



BLANK WHITEBOARD
SIDE 1



LINED WHITEBOARD
SIDE 2





Important Information! Warning!



Small Parts

In its unassembled state, this product contains parts that can be hazardous to small children. This product should be assembled by an adult.



Adult Supervision

This product is to be used under the supervision of an adult.



Climb Hazard

Do not climb on, hang from or suspend objects from any components of your product unless otherwise specified.



Indoor Use Only

This product is intended for indoor commercial use only. To reduce the risk of fire or electric shock, do not expose this product to rain or moisture. The internal components are not sealed from the environment.



Bamboo Maintenance

When needed, wipe down with mild soapy water. A mild disinfectant can be used. A mild bleach water solution (1:50) can also be used. Wipe cleaning solution off after application. Recommended cleaning frequency is once monthly, and at minimum, once per school year.

DO NOT leave standing water or cleaning solutions on the bamboo surface.

DO NOT use harsh chemicals to clean surfaces.

Customer Service & Warranty Information

For missing parts and other issues regarding your product:

Please contact Customer Service, where we will be happy to help.

Telephone: 1-800-267-8494, Monday - Friday 8:00am - 4:30 pm EST

Email: info@copernicused.com

Need Support?
Have a Question?



Email Customer Service

Check out some of our
other great products!



www.copernicused.com

Lifetime
All Components
Warranty

Register your Product

Registering your warranty ensures we have all the information we need to make any future warranty claims quick and easy. Please visit www.copernicused.com/warranty and complete the form within 10 business days from product assembly. By registering your product, you will be entered into a draw to win Copernicus product.

Make a Warranty Claim

We offer a Lifetime Warranty on almost everything we make. Please call **1-800-267-8494** or email info@copernicused.com to start your warranty claim. Proof of purchase will be required upon warranty claim (i.e. copy of invoice).

Replace your Whiteboard

Have a well-used whiteboard that needs replacing? Our whiteboards carry a five-year warranty and replacement parts program after the warranty period. Please call **1-800-267-8494** or email info@copernicused.com to get a new whiteboard for your Copernicus product!

Bamboo Variations

Bamboo has natural variations that are considered normal and are not covered under warranty (i.e. grain irregularities, knots, color). For more information, visit our website at www.copernicused.com/lifetime-warranty.

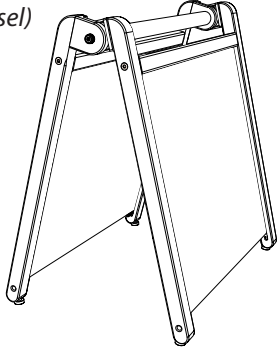
Parts

Before beginning, you should have:

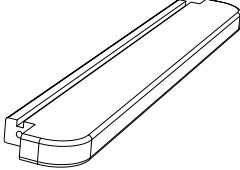
Additional tools required: _____

TTE200-0

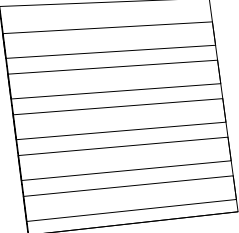
TTE200
(Easel)
1x



Bookledge
2x




Pocket Chart
1x



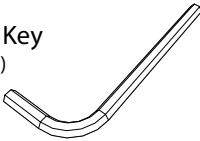
Hardware
Actual Size

(A) M7 x 48 Self Tapping Screw
4x



Tools
(Not to Scale)

Allen Key
(43281)
x1

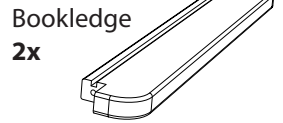


1

Actual Size:



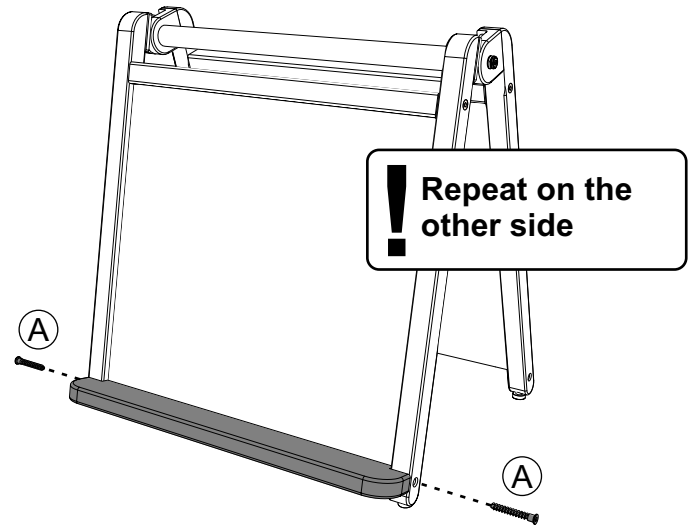
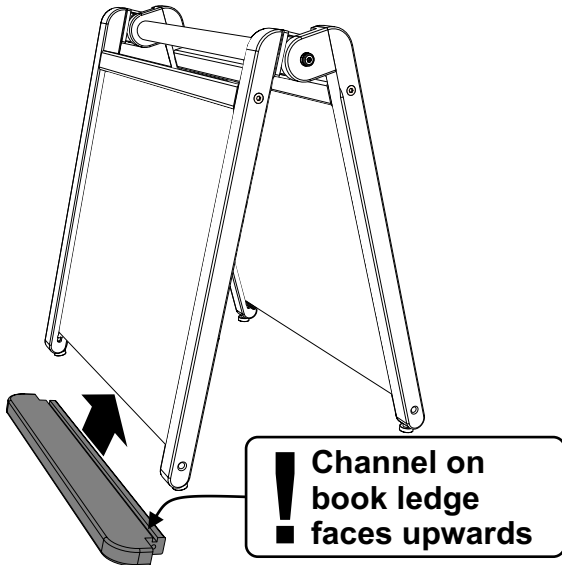
You will need: (Not to Scale)



Install book ledge on each whiteboard

1 Place the book ledge under the whiteboard

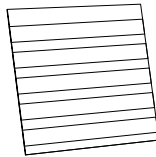
2 Install the hardware on either side of the whiteboard frame



1

You will need: (Not to Scale)

Pocket Chart
1x



Attach the pocket chart

! Pocket chart can be attached to either whiteboard

