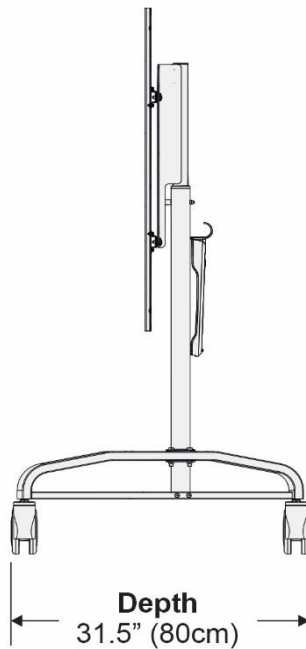
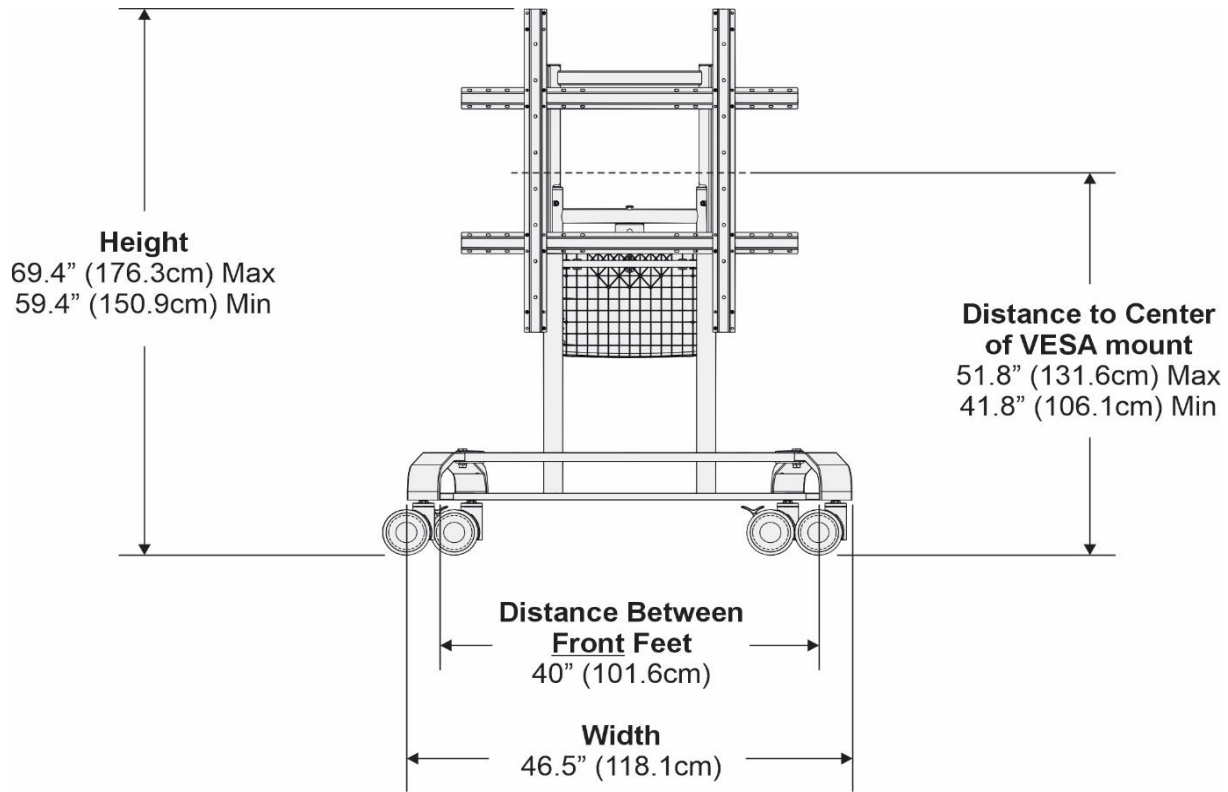


iRover² Base Model for Interactive Flat Panels

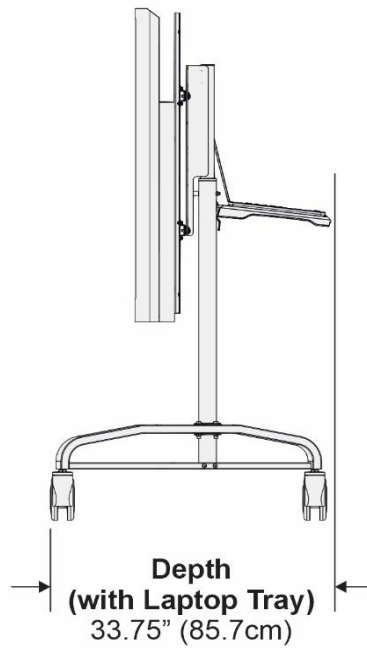
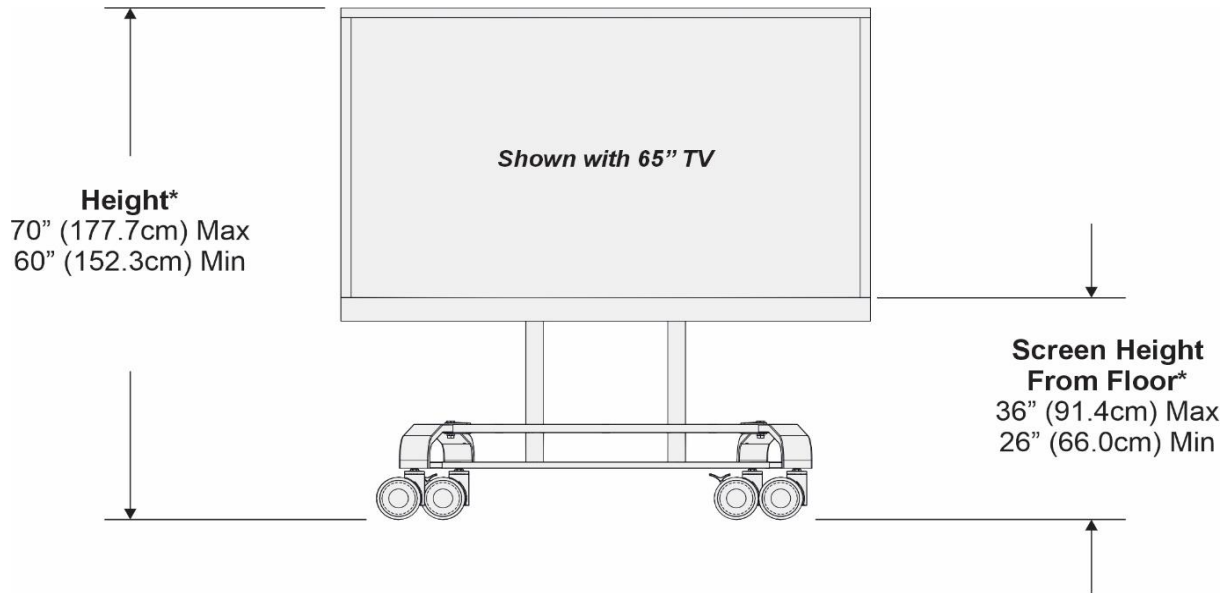
Model: IFP550



All dimensions $\pm 1/8"$ (0.3cm).
All weights ± 8 oz (250g).

iRover² Base Model for Interactive Flat Panels

Model: IFP550



(* values are approximate and will vary depending on your flat panel.

iRover² Base Model for Interactive Flat Panels

Model: IFP550

Warranty:

Lifetime warranty

Physical Specifications:

59-13/32" H x 46-1/2" W x 31-1/2" D (150.9cm H x 118.1cm W x 80cm D)

*measurements do not include installed flat panel

Flat Panel Compatibility:

Commonly supported flat panels include: SMART, Promethean, Clever Touch, Clear Touch and others. Spacers and longer screws are provided for flat panels that do not have a flat back, like Promethean.

Flat Panel Mounting Stretchers:

This unit comes with its own VESA flat panel mount.

Supported Screen Size: 50"- 86"

Supported VESA: 300 x 200 (min)

800 x 700 (max)

Max Weight: 250lbs (113kg)

iRover² Base Model for Interactive Flat Panels Certifications:

Conformance: cULus

Carton Size & Weights:

	Part No.	Carton Size (outer dimensions)	Carton Weight	Shipping Size (cubic feet)	Shipping Weights
IFP550	IFP550-0	40" H x 40" W x 4-1/2" D 102cm H x 102cm W x 11cm D	37lbs 16.8kg	4.17	37lbs 16.8kg
	IFP550-1	47" H x 26-1/2" W x 4" D 119.4cm H x 67cm W x 10cm D	42lbs 19.1kg	2.88	26lbs 11.8kg

Copernicus Educational Products

USA | P.O. Box 248 | Buffalo, NY | 14225

CANADA: R.R. #3, 8194 County Road 109 | Arthur, ON | N0G 1A0

P 1 800 267 8494 | E info@copernicused.com

Copernicus Educational Products is not responsible for printing errors. Copernicus reserves the right to change or modify pricing and products specifications with or without prior notification. Illustrations and descriptions may not be exactly as shown. No part may be reproduced by any means without prior authorization of Copernicus Educational Products Inc. All rights reserved. 2015 ©