

Book Display and Wall Mount Racks



Assembly Guide AC359KD_2018_A

Check out our other products online at
www.copernicused.com

For assistance, please contact us:

1-800-267-8494

Email info@copernicused.com

Have your packing slip ready for reference

WARNING



- This product is meant to be assembled by an adult.
- In its unassembled state, small parts present a hazard.
- To be used under direct supervision of an adult.

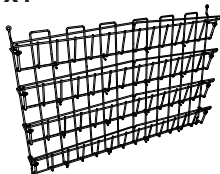
Before beginning, you should have:

Parts List (Not to Scale):

Small Book Display
x2



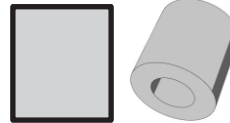
Large Book Display
x1



"S" Hooks
x4



(A) 13mm x 15mm Spacer
x8



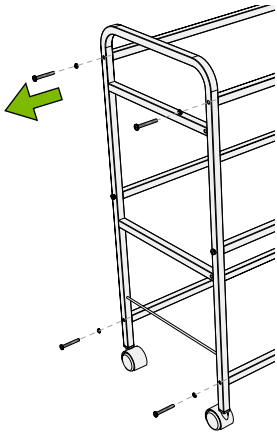
**NOTE: Allen Key
found in BB005/
CC005 frame box.**

Allen Key
x1

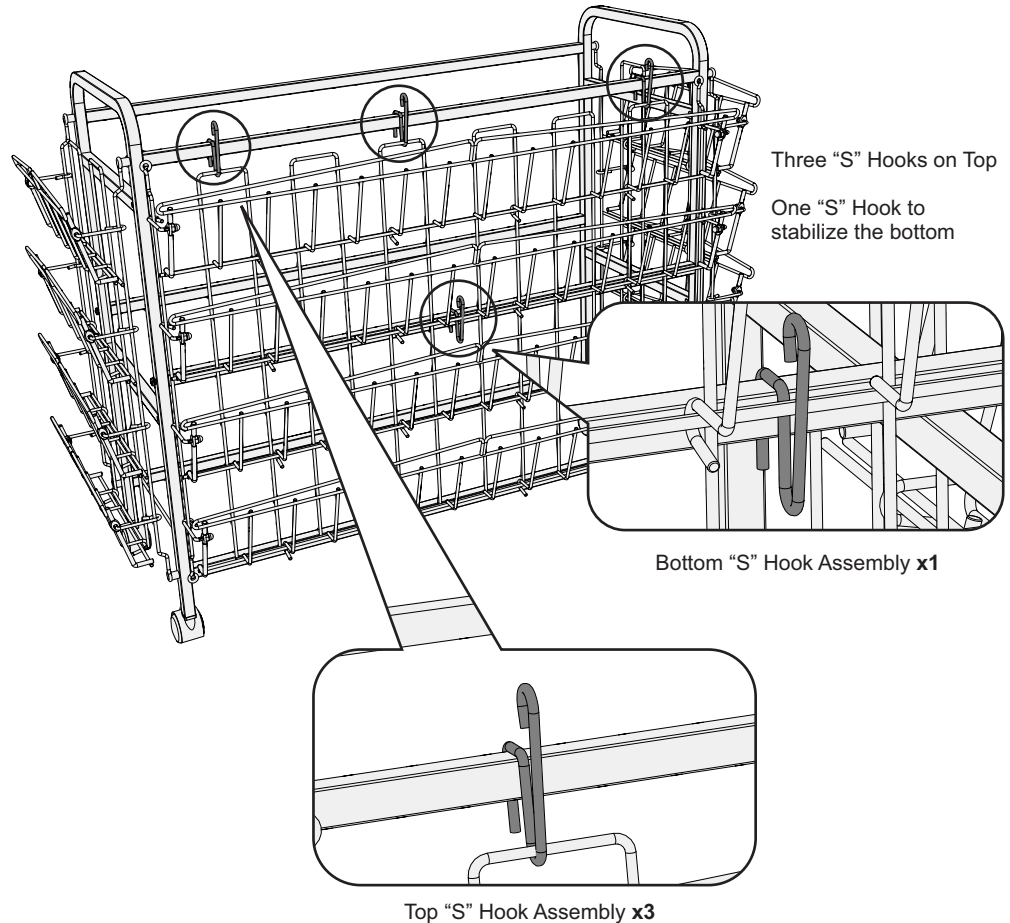
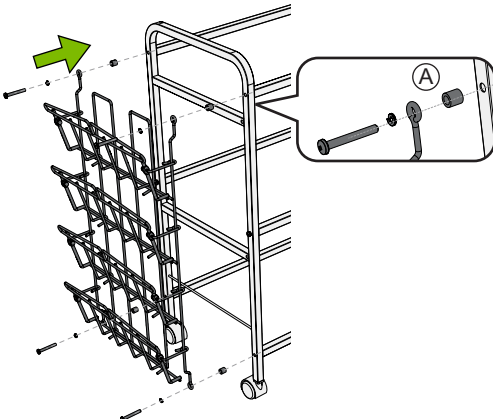


**NOTE: Hardware not included for
wall mount application.**

1 Remove hardware from end frame.



2 Install Small Rack with spacers and frame hardware. Repeat on other side.



Three "S" Hooks on Top
One "S" Hook to stabilize the bottom

Bottom "S" Hook Assembly x1

Top "S" Hook Assembly x3