

SAN001

Hand Sanitizer Stand



Assembly Guide

SAN001_2020_D

Check out our other products online at
www.copernicused.com

For assistance, please contact us:

1-800-267-8494

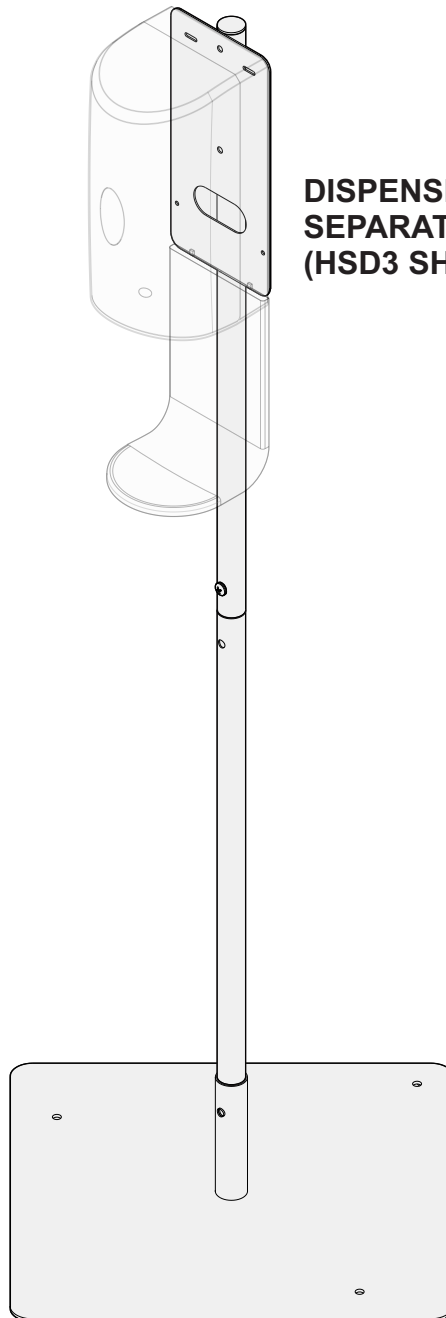
Email info@copernicused.com

Have your packing slip ready for reference

WARNING



- This product is meant to be assembled by an adult.
- In its unassembled state, small parts present a hazard.
- To be used under direct supervision of an adult.



**DISPENSER SOLD
SEPARATELY
(HSD3 SHOWN)**



Please Recycle



Assembly Guide SAN001_2020_D

Check out our other products online at
www.copernicused.com

For assistance, please contact us:

1-800-267-8494

Email info@copernicused.com

Have your packing slip ready for reference

Dear Educator,

Thank you for purchasing the Hand Sanitizer Stand. We hope it meets all your expectations and you and your students enjoy using it in your school. If you have any questions, concerns or ideas on how we can improve please let us know by contacting our Customer Solutions Ninjas at 1-800-267-8494 or info@copernicused.com.
Happy teaching,

Kaylyn Belcourt
President

Lifetime
All Components
Warranty

Register your Product

Registering your warranty ensures we have all the information we need to make any future warranty claims quick and easy. Please visit www.copernicused.com/warranty and complete the form within 10 business days from product assembly. By registering your product, you will be entered into a draw to win Copernicus product.

Make a Warranty Claim

We offer a Lifetime Warranty on almost everything we make. Please call 1-800-267-8494 or email info@copernicused.com to start your warranty claim. Proof of purchase will be required upon warranty claim (i.e. copy of invoice).



Warning! Hazard Risks!

Please read the warnings below for important safety information regarding your product. Failure to read these warnings or to follow the instructions below could result in personal injury or damage to your product that could void your warranty.



Adult
Supervision

This product is to be used under the supervision of an adult.



Small
Parts

In its unassembled state, this product contains parts that can be hazardous to small children. This product should be assembled by an adult.

Customer Service - FAQ's



For any issues:

Please call Copernicus Customer Service, where we will be happy to help.

1-800-267-8494. Monday - Friday 8:00am - 4:30 pm EST.

Email our Customer Support Service at vanessa@copernicused.com

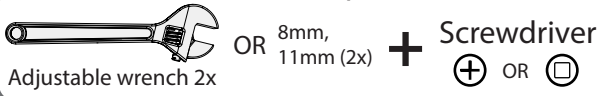
Check out some of our
other great products!



www.copernicused.com

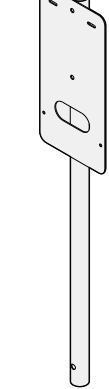
Before beginning, you should have:

Additional tools required:



Hardware
Actual Size

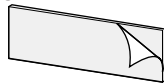
Top Tube
(33178)
1x



Bottom Tube
(33177)
1x

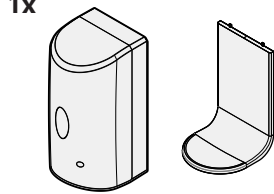


Adhesive Tape
(700013)
8x

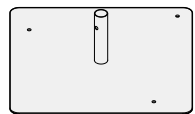


HSD3
SOLD SEPARATELY

Dispenser and
Drip Tray
(HSD3)
1x



Square Base
(32285)
1x




Hardware
Actual Size


(A) 1/4-20 x 1-1/2" Pan Head Screw
(43006)
2x




(B) 1/4-20 Lock Nut
(430101)
2x



(C) 1/4" Flat Washer
(43019)
2x




(D) 6-32 x 3/8" Pan Head Screw
(4301352)
4x



(E) 6-32 Hex Nut
(430164)
4x

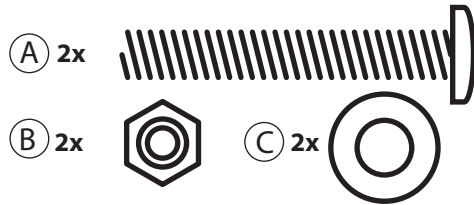


(F) 11/64" Flat Washer
(4301902)
4x

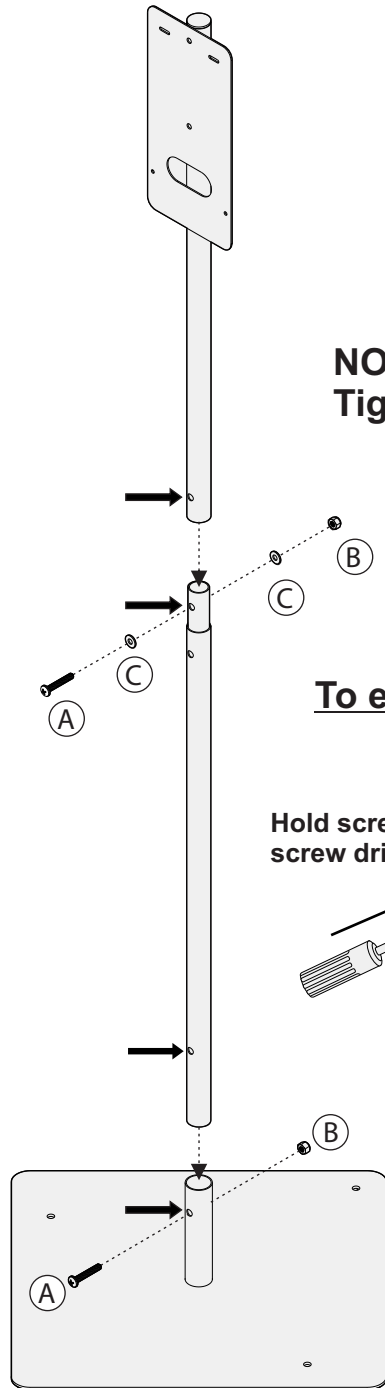


1

You will need: (Not to Scale)

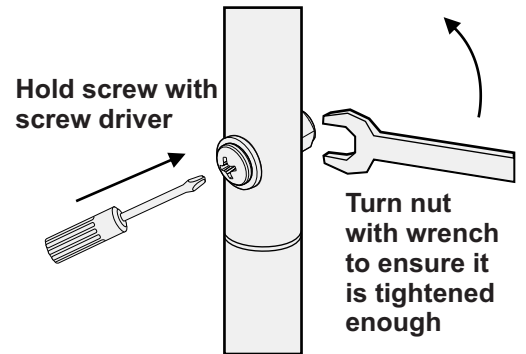


Assemble Hand Sanitizer Stand



NOTE:
Tighten hardware securely

To ensure a secure joint:



2A

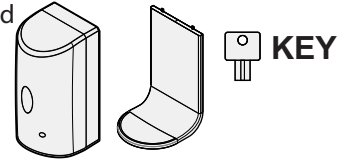
Actual Size:



You will need: (Not to Scale)

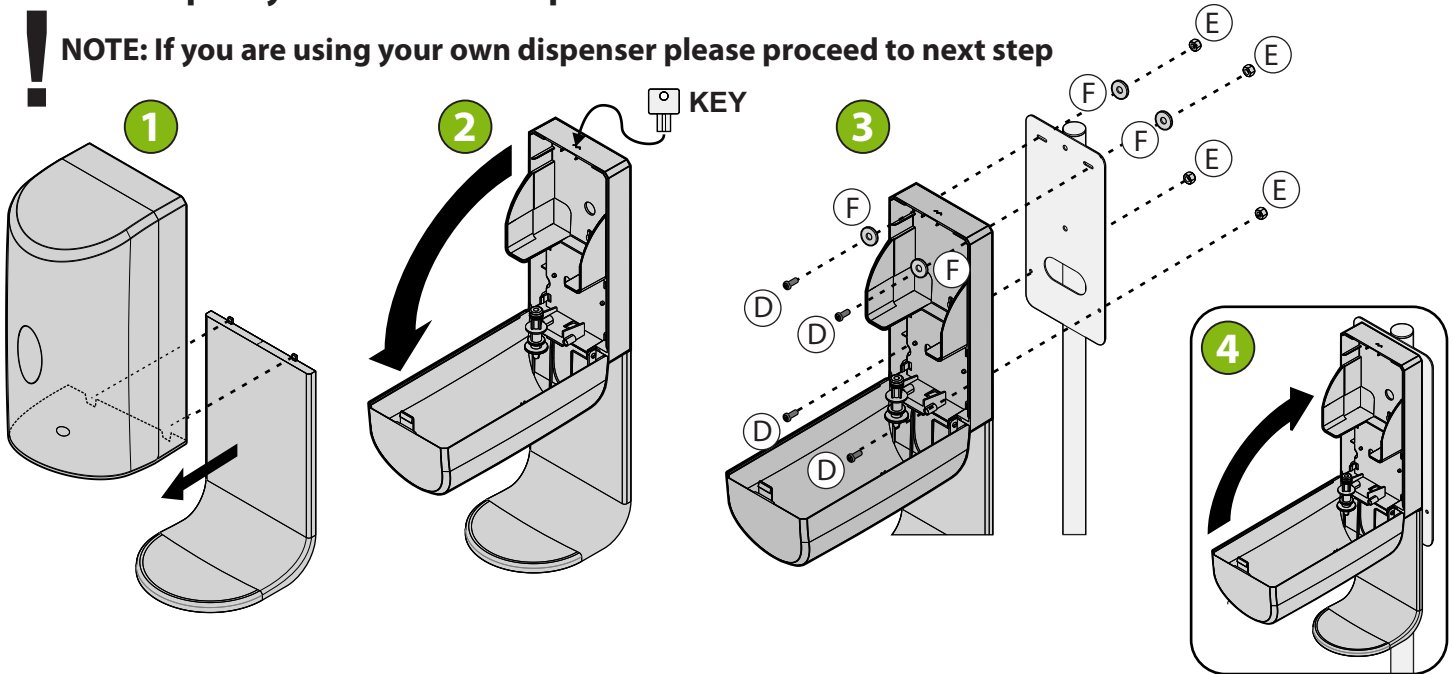
SOLD SEPARATELY

Dispenser and Drip Tray (HSD3) 1x



Install Drip Tray then mount Dispenser onto Hand Sanitizer Stand

NOTE: If you are using your own dispenser please proceed to next step



2B

You will need: (Not to Scale)

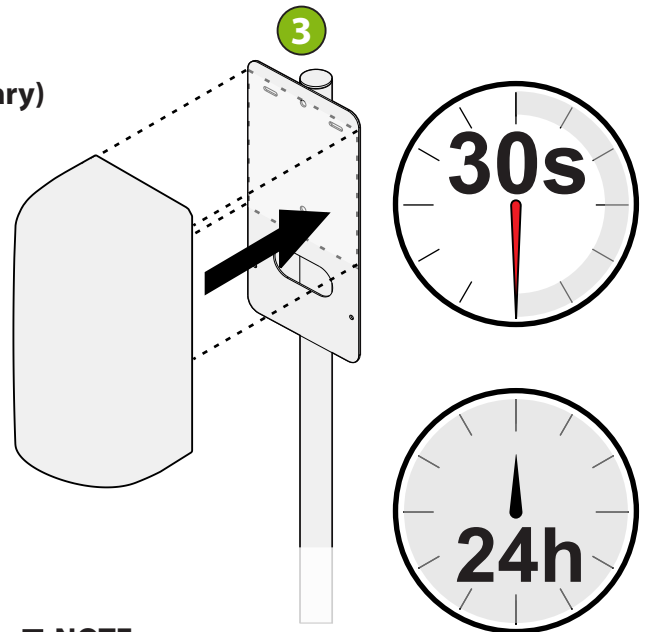
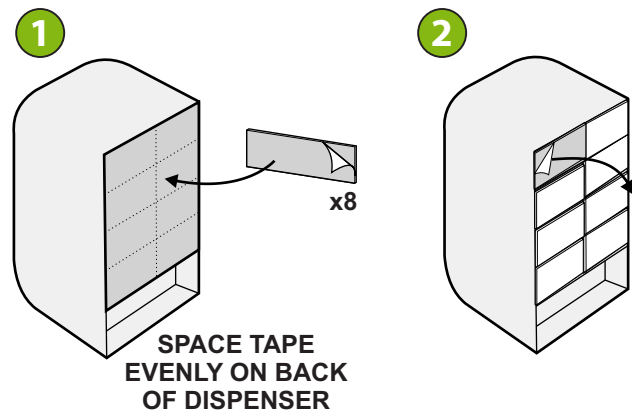
Adhesive Tape 8x



User Provided Dispenser 1x

Install your own dispenser

- 1 Peel off backing and press Adhesive Tape Strips onto your dispenser (use as many strips as necessary)
- 2 Peel off 2nd Adhesive Tape Backing
- 3 Press your dispenser firmly against plate for 30 seconds to ensure proper adhesion



NOTE: After applying adhesive tape, wait 24 hours before filling dispenser.