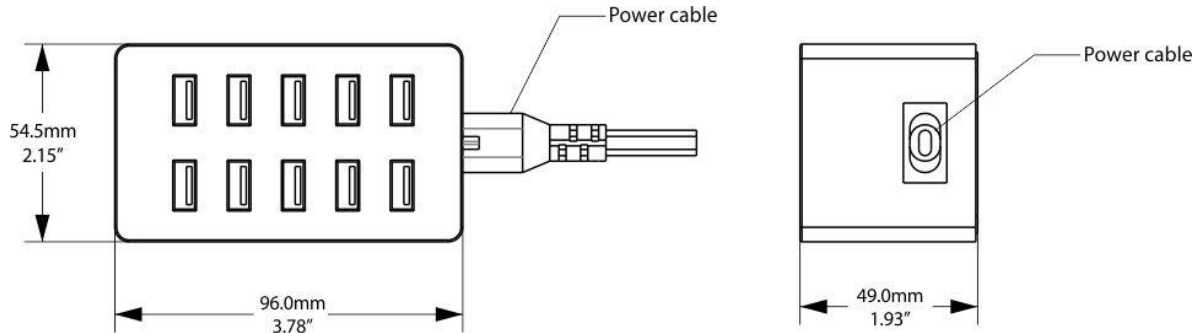


**USB 10 Port Hub and Power Adapter Kit**

**TEC-USB**



**Warranty:**

1 year Power Supply Warranty

**Physical Specifications:**

3.78" x 2.15" x 1.93" (96mm x 54.5mm x 49.0mm), Weight 8 oz. (0.23kg)  
5-ft (152cm) power cable

**Product Feature**

**10 Port USB Hub**

- Input: 100-240 VAC, 50/60Hz, 1.5A
- Output: 10 x USB 5V  $\overline{\text{---}}$  12A Max (each port 3A Max)
- Made in China
- Certification
  - UL, CE, and FCC compliant

**User Benefits**

- Smart Port technology maximizes compatibility with Android, Apple and other devices by enabling charging speeds of up to 12A between 10 ports or 3A per port.
- Supports 2.4A devices for universal compatibility.
- 60W 10-Port Fast Charger
- 10-port USB charger
- Detachable power cord
- Overload protection

**Estimated Carton Size & Weights**

	Part No.	Carton Size (in) (Outer dimensions)	Carton Weight (lbs)	Shipping Size (Cubic Feet)	Shipping Weight (lbs)
<b>10 Port USB Hub</b>	TEC-USB	5.5 x 4.5 x 3.25	0.87	0.05	1

**Copernicus Educational Products**

USA | P.O. Box 248 | Buffalo, NY | 14225

CANADA | R.R. #3, 8194 County Road 109 | Arthur, ON | N0G 1A0

P 1 800 267 8494

E [info@copernicused.com](mailto:info@copernicused.com)

Copernicus Educational Products is not responsible for printing errors. Copernicus reserves the right to change or modify pricing and products specifications with or without prior notification. Illustrations and descriptions may not be exactly as shown. No part may be reproduced by any means without prior authorization of Copernicus Educational Products Inc. All rights reserved. 2015 ©