

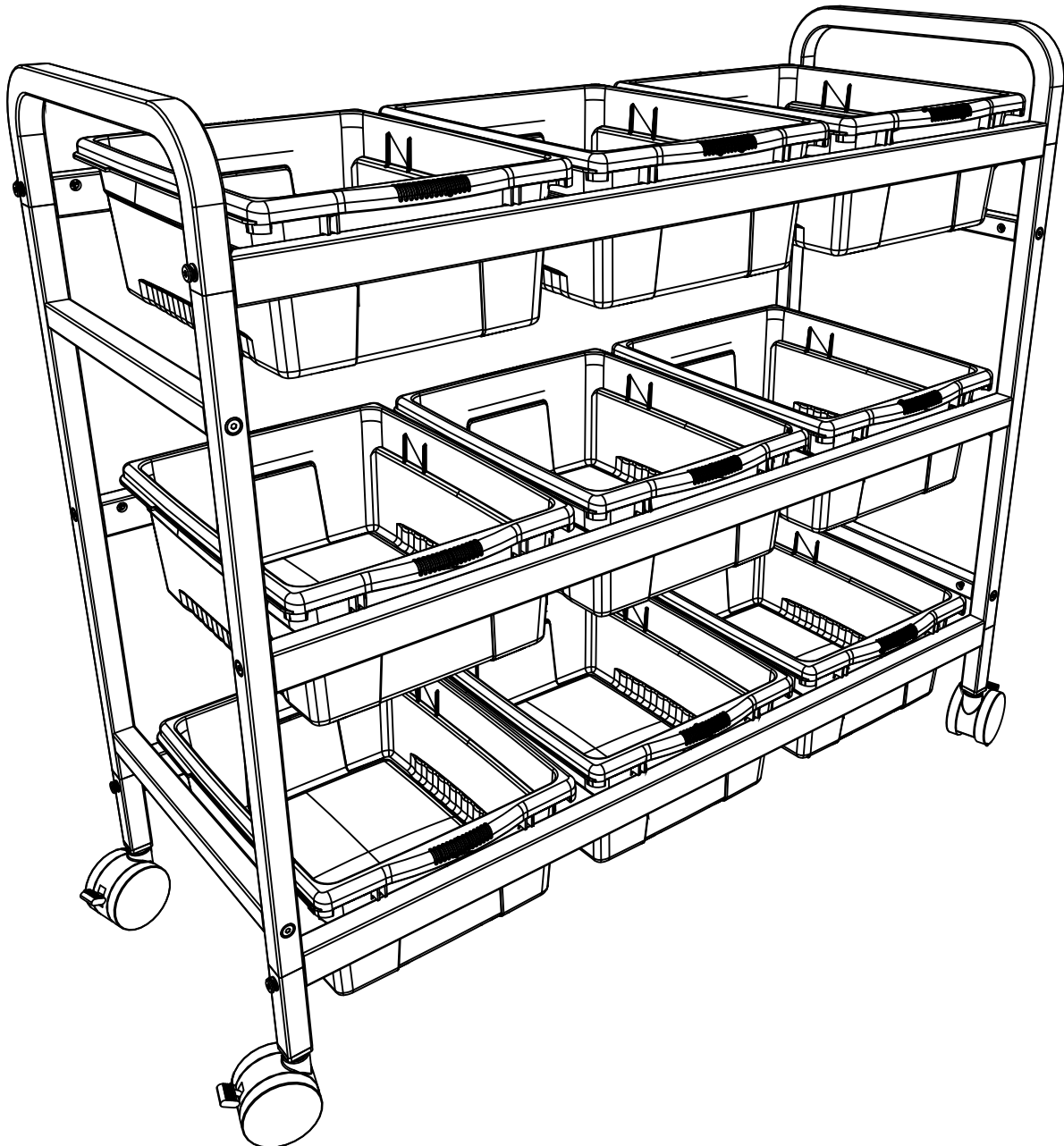


Assembly Guide

Check out our other products online at www.copernicused.com

For assistance, please contact us by telephone at **1-800-267-8494** or email at info@copernicused.com.

Have your packing slip ready for reference.



Customer Service & Warranty Information

Dear Educator,

Thank you for purchasing the Bamboo Book Browser Cart. We hope it meets your expectations and you and your students enjoy using it at your school.

Every day we see and hear stories of teachers going above and beyond to help students thrive. Thank you so much for all you do – you are awesome, and you make a difference.

Thank you for inspiring us.

If you have any questions, concerns or ideas on how we can improve please let us know by contacting our Customer Solutions Ninjas at 1-800-267-8494 or info@copernicused.com.

Happy teaching,

Kaylyn Belcourt, President
kaylyn@copernicused.com



We do not inherit the earth from our ancestors, we borrow it from our children.

- NATIVE AMERICAN PROVERB

Change is the end result of all true learning.

- LEO BUSCAGLIA

What you leave behind is not what is engraved in stone monuments, but what is woven into the lives of others.

- PERICLES

Education is the most powerful weapon which you can use to change the world.

- NELSON MANDELA

For missing parts and other issues regarding your product:

Please contact Customer Service, where we will be happy to help.

Telephone: 1-800-267-8494, Monday - Friday 8:00am - 4:30 pm EST

Email: info@copernicused.com

**Need Support?
Have a Question?**



[Email Customer Service](mailto:info@copernicused.com)

**Check out some of our
other great products!**



www.copernicused.com

Lifetime
Frame Warranty

Register your Product

Registering your warranty ensures we have all the information we need to make any future warranty claims quick and easy. Please visit www.copernicused.com/warranty and complete the form within 10 business days from product assembly. By registering your product, you will be entered into a draw to win Copernicus product.

Lifetime
All Components
Warranty

Make a Warranty Claim

We offer a Lifetime Warranty on almost everything we make. Please call 1-800-267-8494 or email info@copernicused.com to start your warranty claim. Proof of purchase will be required upon warranty claim (i.e. copy of invoice).

Tips for Assembly

Before You Begin:

- Lay out and identify all of the included parts.
- The hardware has been packed according to step.
- Read the assembly guide over once to familiarize yourself with them.

As You Assemble the Unit:

- Follow the steps in sequence.
- Before beginning each step, find the part(s) that you need for that step.
- The title of each step states what you will be doing. Review the text and the pictures as you build the unit.

Watch for These Helpful Symbols:



2-Person Task

For safety, please have someone help you when working on steps displaying this symbol.



The symbol denotes a step needing extra attention to ensure it is done correctly.



Important Information! Warning!

Please read the warnings below for important safety information regarding your product. Failure to read these warnings or to follow the instructions below could result in personal injury or damage to your product that could void your warranty.



Small Parts

In its unassembled state, this product contains parts that can be hazardous to small children. This product should be assembled by an adult.



Adult Supervision

This product is to be used under the supervision of an adult.



No Maintenance

This product does **NOT** require maintenance. Repairs should only be performed by authorized personnel. Please contact customer service if repairs are required.



Climb Hazard

Do not climb on, hang from or suspend objects from any components of your product unless otherwise specified.



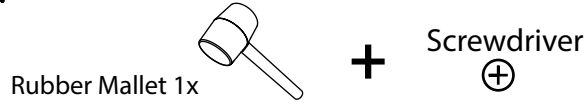
Indoor Use Only

This product is intended for indoor commercial use only. To reduce the risk of fire or electric shock, do not expose this product to rain or moisture. The internal components are not sealed from the environment.

Parts

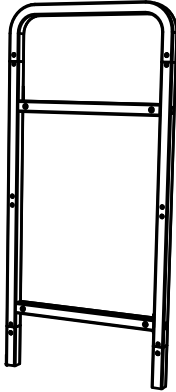
Before beginning, you should have:

Additional tools required:



BB006-0

End Frame
2x



3" Locking Twin
Wheel Caster
4x



Stretcher
6x



In Box 1

Hardware
Actual Size

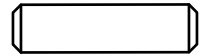
(A) M6 x 60mm
8x



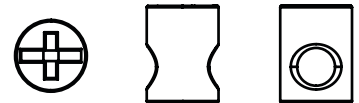
(B) M6 x 55mm
4x



(C) Wooden Peg
12x



(D) M6 Hammer Nut
12x



(E) M6 Flat Washer
12x

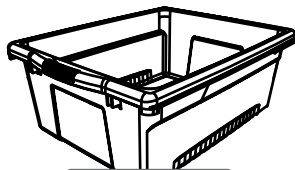


(F) M6 Lock Washer
12x



BB9-CB

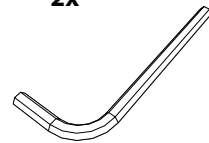
Open Tub
9x
(CC4068)



10 lbs Weight Limit

Tools
(Not to Scale)

Allen Key
(43281)
2x



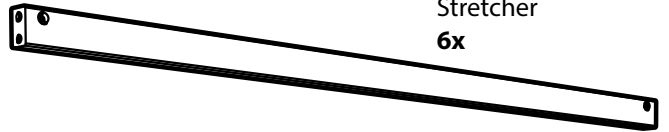
1

Actual Size:



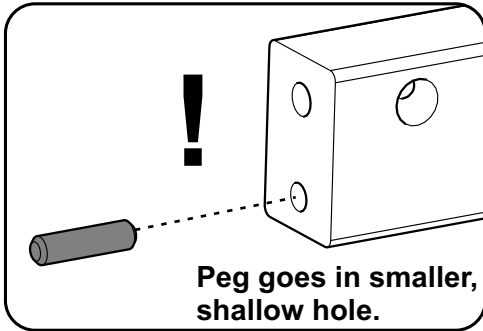
6x

You will need: (Not to Scale)

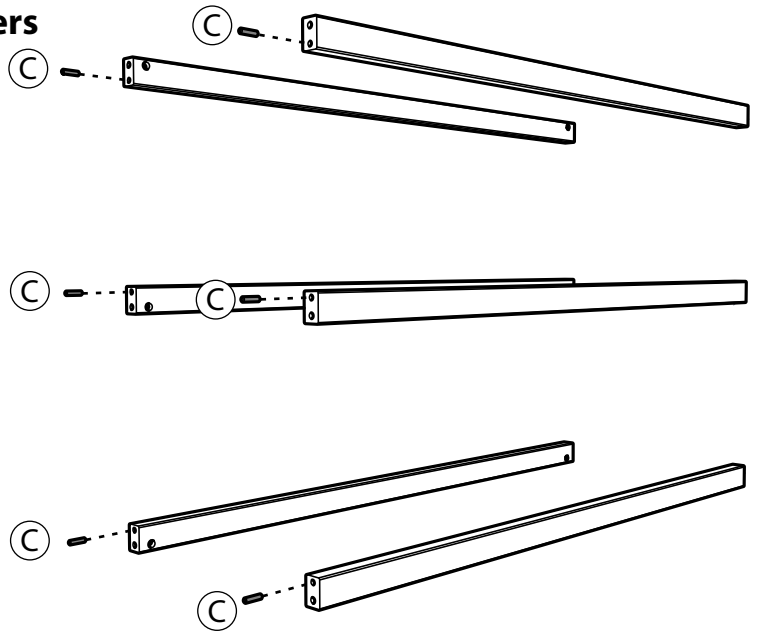


Stretcher
6x

Add wood pegs into one end of stretchers



Peg goes in smaller, shallow hole.



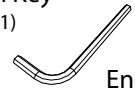
2

Actual Size:

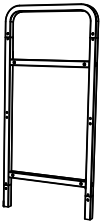


You will need: (Not to Scale)

Allen Key
(43281)
2x



End Frame
1x

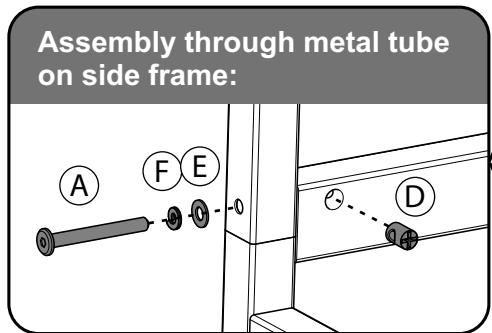


Screwdriver
+



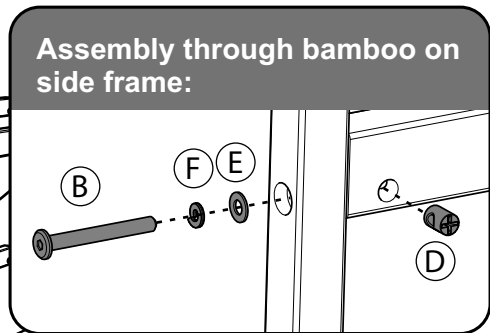
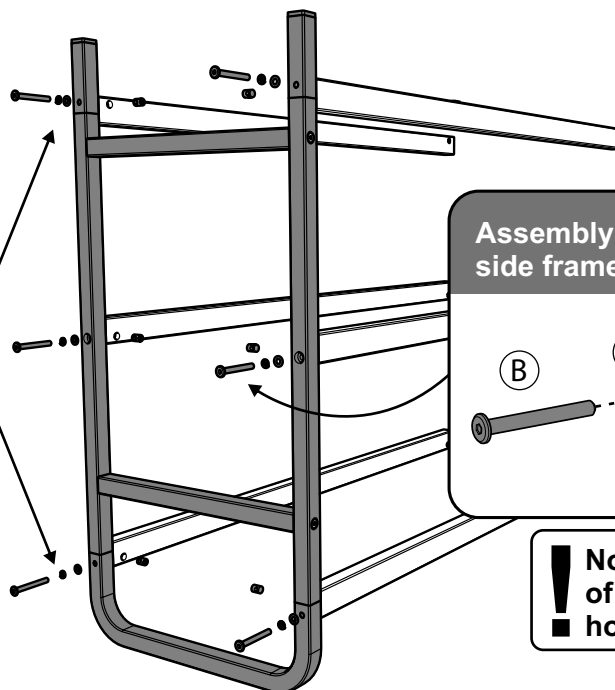
2-Person Task

Add side frame with hardware



Assembly through metal tube on side frame:

! Note orientation of hammer nut hole on stretcher



Assembly through bamboo on side frame:

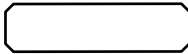
! Note orientation of hammer nut hole on stretcher

3

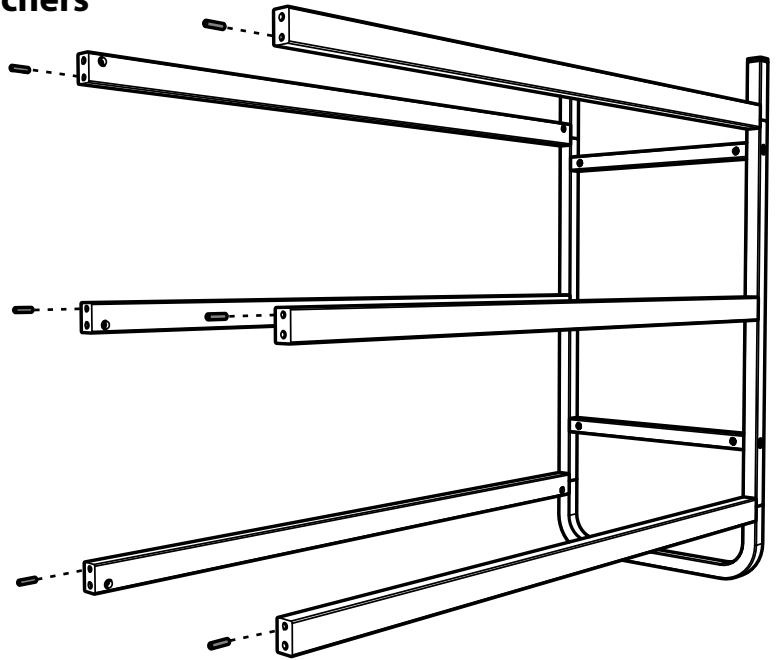
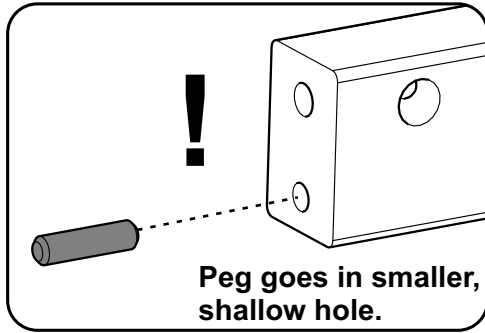
Actual Size:



6x



Add wood pegs into other end of stretchers



4

Actual Size:

A

4x



D

6x



E

6x



B

2x



F

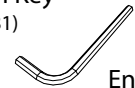
6x



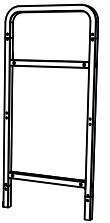
You will need: (Not to Scale)

Allen Key (43281)

2x



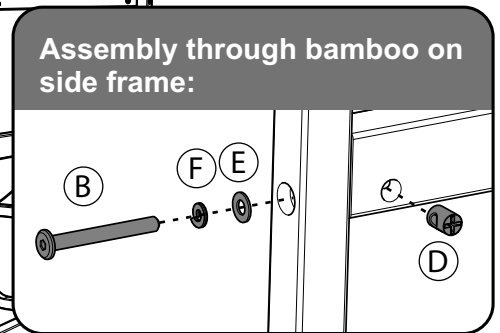
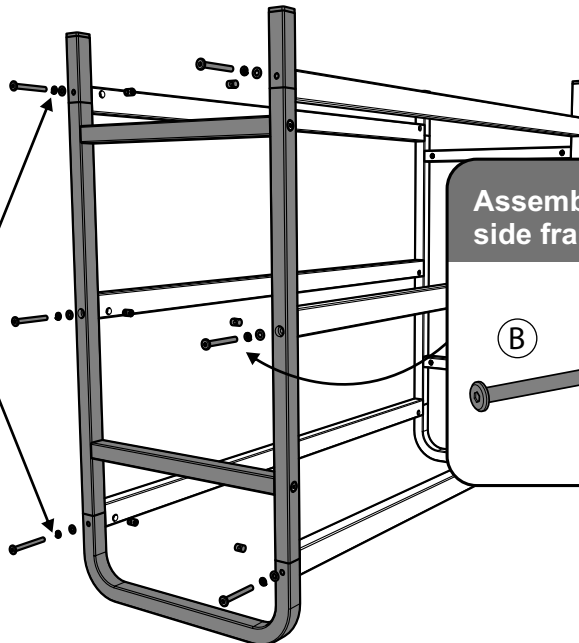
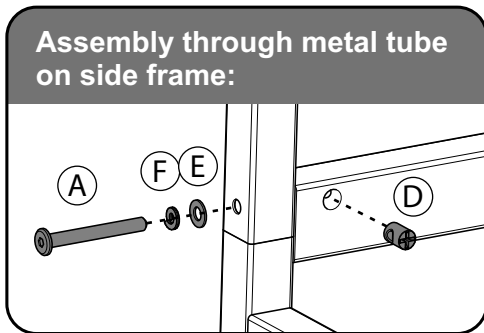
End Frame 1x



Screwdriver



Add second side frame with hardware



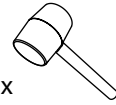
5

You will need: (Not to Scale)

3" Locking Twin
Wheel Caster
4x



Rubber Mallet 1x

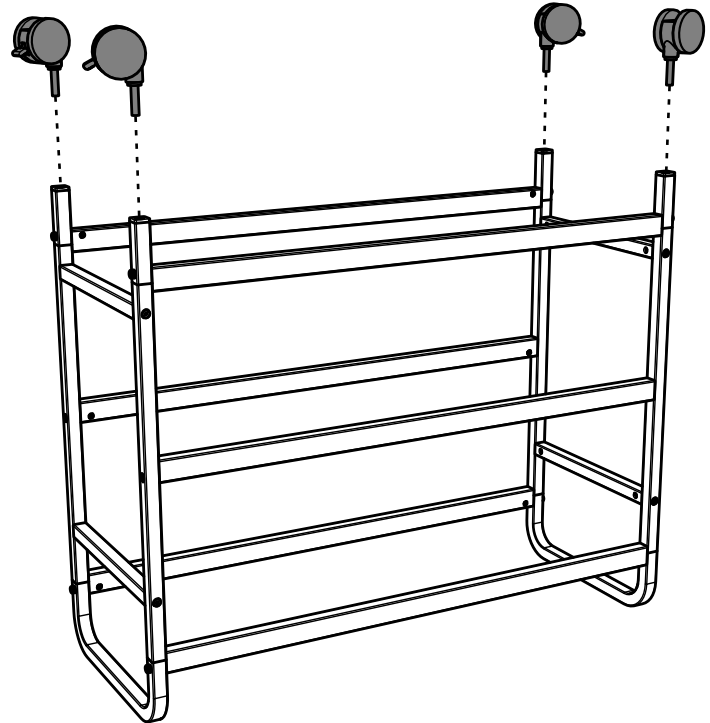


Insert casters into bottom of side frames

Press Casters firmly into the Base:



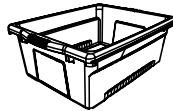
Casters will click into place
If necessary, tap the caster in
using a rubber mallet.



6

You will need: (Not to Scale)

Open Tub
9x



Check entire assembly for loose parts and fasteners. Add tubs.

