

PDR20KD

Spring Loaded Drying Rack



Assembly Guide

Check out our other products online at www.copernicused.com
For assistance, please contact us by telephone at 1-800-267-8494 or email at info@copernicused.com.
Have your packing slip ready for reference.



Please Recycle

Customer Service & Warranty Information

Dear Educator,

Thank you for purchasing the Spring Loaded Drying Rack. We hope it meets your expectations and you and your students enjoy using it at your school.

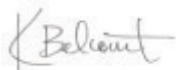
Every day we see and hear stories of teachers going above and beyond to help students thrive. Thank you so much for all you do – you are awesome, and you make a difference.

Thank you for inspiring us.

If you have any questions, concerns or ideas on how we can improve please let us know by contacting our Customer Solutions Ninjas at 1-800-267-8494 or info@copernicused.com.

Happy teaching,

Kaylyn Belcourt, President
kaylyn@copernicused.com



We do not inherit the earth from our ancestors, we borrow it from our children.

- NATIVE AMERICAN PROVERB

Change is the end result of all true learning.

- LEO BUSCAGLIA

What you leave behind is not what is engraved in stone monuments, but what is woven into the lives of others.

- PERICLES

Education is the most powerful weapon which you can use to change the world.

- NELSON MANDELA

For missing parts and other issues regarding your product:

Please contact Customer Service, where we will be happy to help.

Telephone: 1-800-267-8494, Monday - Friday 8:00am - 4:30 pm EST

Email: info@copernicused.com

Need Support?
Have a Question?



Email Customer Service

Check out some of our other great products!



www.copernicused.com



Register your Product

Registering your warranty ensures we have all the information we need to make any future warranty claims quick and easy. Please visit www.copernicused.com/warranty and complete the form within 10 business days from product assembly. By registering your product, you will be entered into a draw to win Copernicus product.



Tips for Assembly

Before You Begin:

- Lay out and identify all of the included parts.
- The hardware has been packed together in one bag.
- Read the assembly guide over once to familiarize yourself with them.

As You Assemble the Unit:

- Follow the steps in sequence.
- Before beginning each step, find the part(s) that you need for that step.
- The title of each step states what you will be doing. Review the text and the pictures as you build the unit.

Watch for These Helpful Symbols:



2-Person Task

For safety, please have someone help you when working on steps displaying this symbol.



The symbol denotes a step needing extra attention to ensure it is done correctly.



Important Information! Warning!

Please read the warnings below for important safety information regarding your product. Failure to read these warnings or to follow the instructions below could result in personal injury or damage to your product that could void your warranty.



Small Parts

In its unassembled state, this product contains parts that can be hazardous to small children. This product should be assembled by an adult.



Adult Supervision

This product is to be used under the supervision of an adult.



No Maintenance

This product does NOT require maintenance. Repairs should only be performed by authorized personnel. Please contact customer service if repairs are required.



Climb Hazard

Do not climb on, hang from or suspend objects from any components of your product unless otherwise specified.



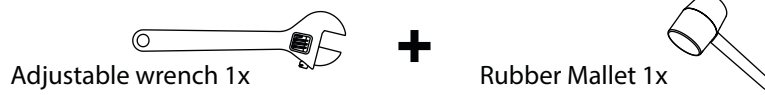
Indoor Use Only

This product is intended for indoor commercial use only. To reduce the risk of fire or electric shock, do not expose this product to rain or moisture. The internal components are not sealed from the environment.



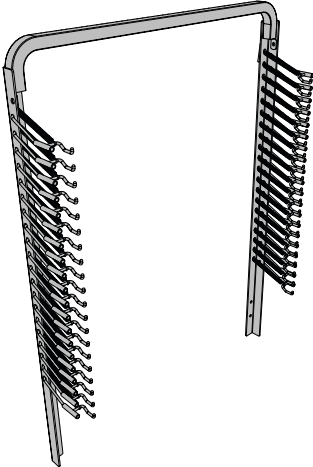
Before beginning, you should have:

Additional tools required:

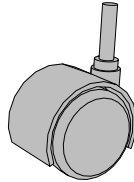


PDR20KD

Back Frame Assembly
1x

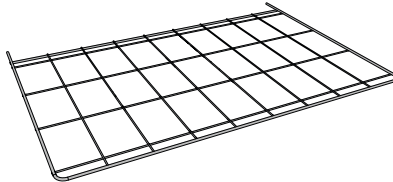


2" Caster with Brake
4x

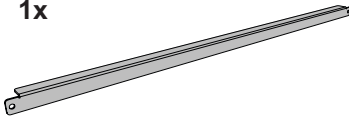


In Box 1

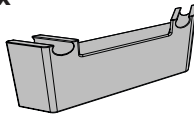
Drying Rack
20x



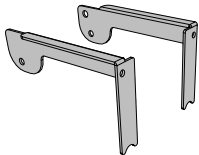
Locking Bar Stretcher
1x



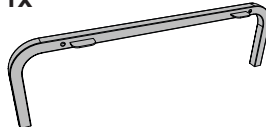
Rack Spacer
40x



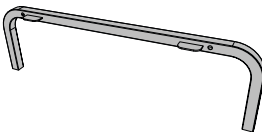
Locking Bar Arms
(1 Left, 1 Right)
2x



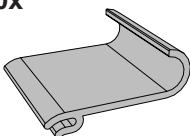
Left Leg
1x



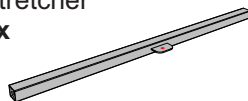
Right Leg
1x



Paper Catch
40x



Stretcher
2x



Hardware Actual Size

(A) M6 x 35mm
4x



(H) M6 x 30mm
4x



(B) M6 x 15mm
(4321322)
2x



(C) M5 x 10mm
(4321321)
2x



(D) M6 Lock
Washer
4x



(E) Nylon Washer
(430326)
4x



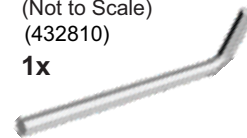
(F) M5 Lock Nut
2x



(G) M6 Lock Nut
6x



Allen Key
(Not to Scale)
(432810)
1x

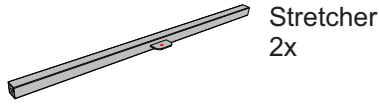


1

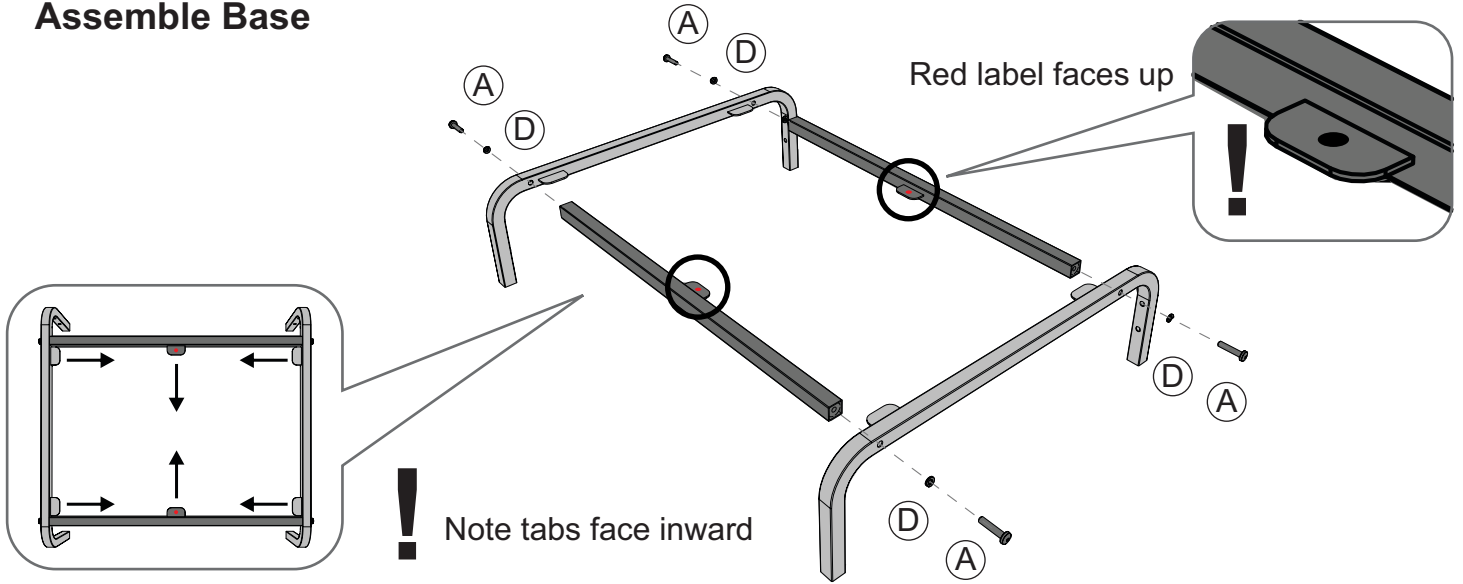
Actual Size:



You will need: (Not to Scale)



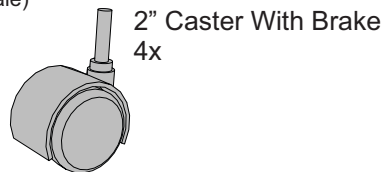
Assemble Base



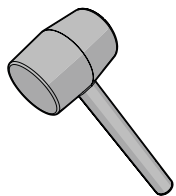
2

Actual Size:

You will need: (Not to Scale)

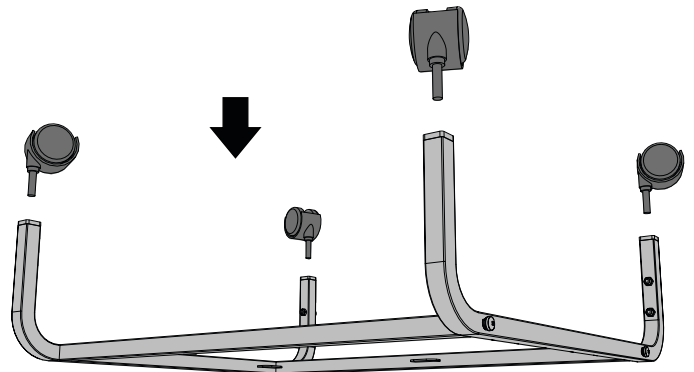


Install Casters



Flip unit upside down.

Press Casters firmly into the Base:
Casters will click into place.
If necessary, tap the caster in
using a rubber mallet.



3

Actual Size:



M6 x 30mm
4x



M6 Lock Nut
4x



2 Person

You will need: (Not to Scale)

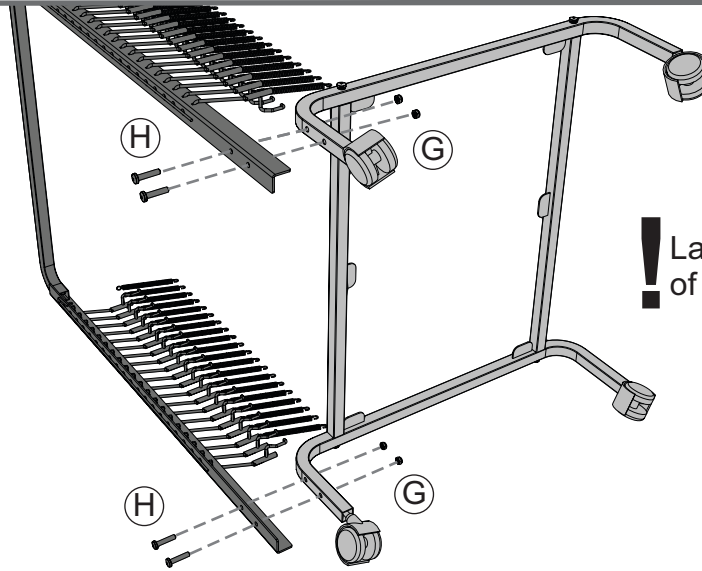


Back Frame Assembly
1x



Adjustable wrench x1

Attach Back Frame

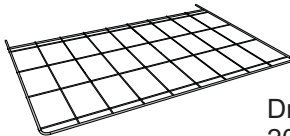


! Lay unit on side for ease of assembly.

4

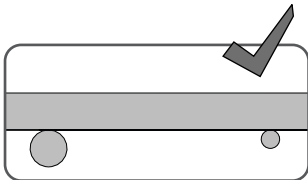
Actual Size:

You will need: (Not to Scale)



Drying Rack
20x

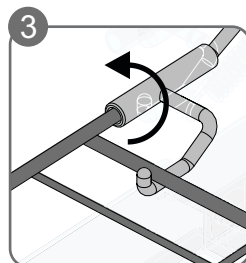
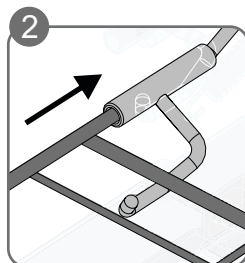
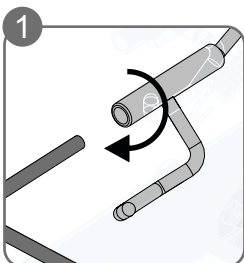
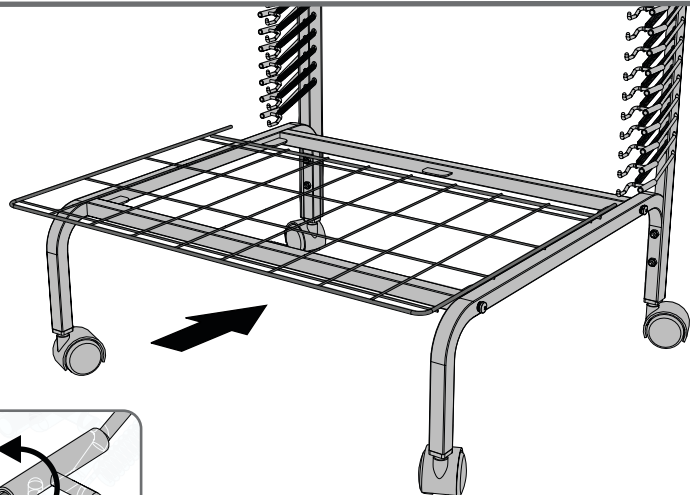
Install Drying Racks



Grid wires should be below frame wire



Incorrect orientation



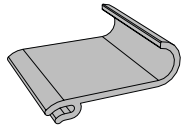
! Follow the steps below until all racks have been installed and secured on both sides.



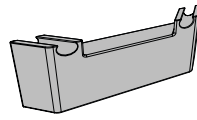
5

Actual Size:

You will need: (Not to Scale)



Paper Catch
40x



Rack Spacer
40x

Insert Paper Catches and Rack Spacer



6

Actual Size:

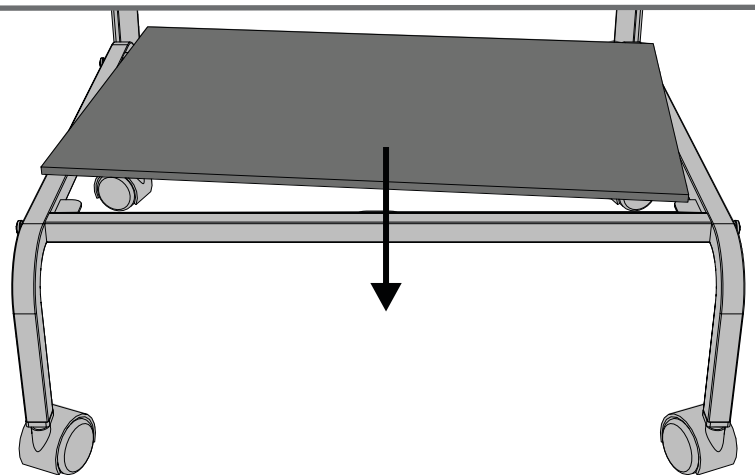
You will need: (Not to Scale)

Cutout Cardboard Drip Tray

Cut out your Cardboard Drip Tray from your packaging !

Replace it as often as you need, just cut a new one the following size:

**W 56 x D 38cm
(W 22" x D 19")**



7

Actual Size:



(C)

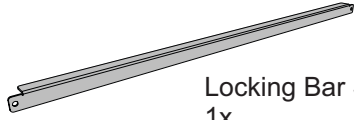
M5 x 10mm
2x



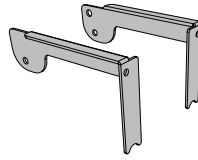
(F)

M5 Lock Nut
2x

You will need: (Not to Scale)



Locking Bar Stretcher
1x

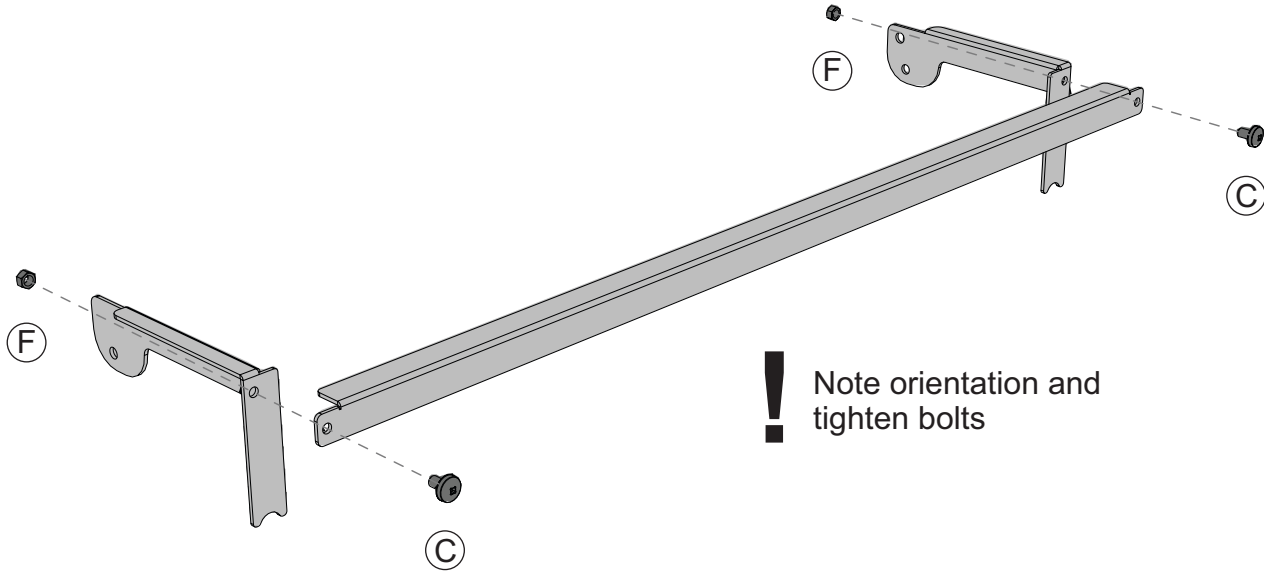


Locking Bar Arms
(1 Left, 1Right)
1x



Adjustable wrench x1

Assemble Locking Bar



8

Actual Size:



(B)

M6 x 15mm
2x



(E)

Nylon Washer
4x



(G)

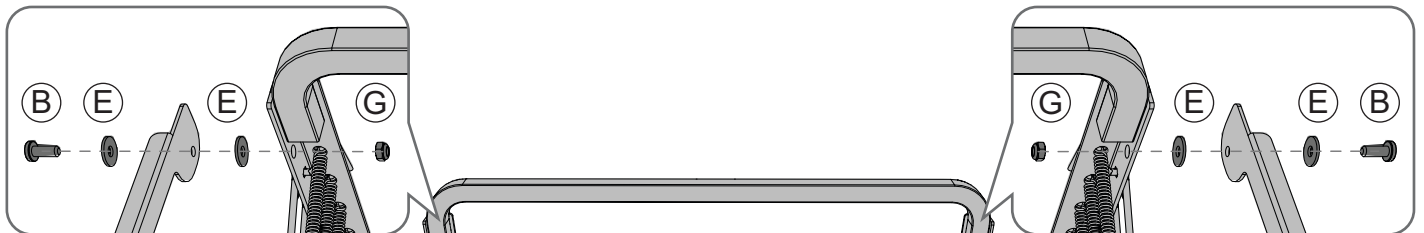
M6 Lock Nut
2x

You will need: (Not to Scale)



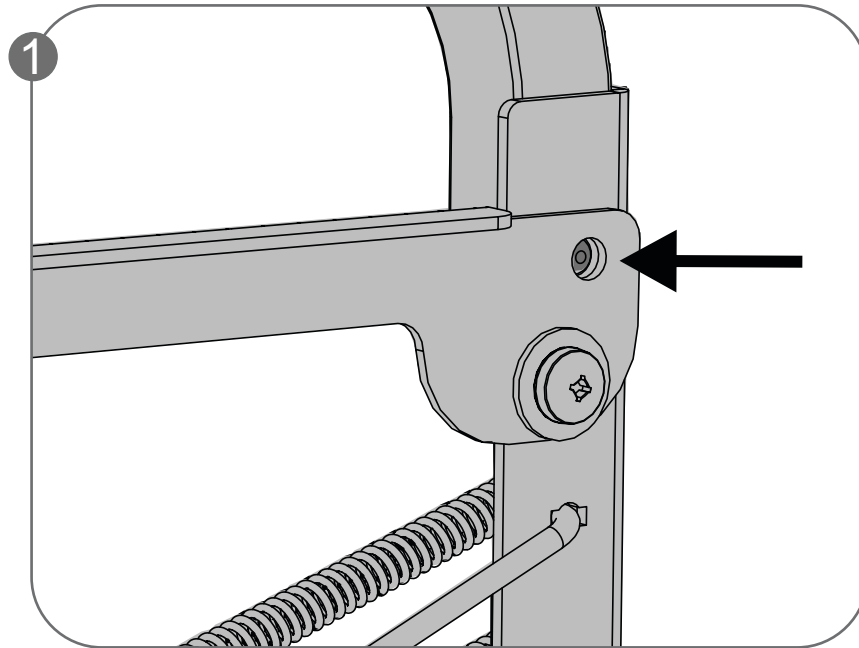
Adjustable wrench x1

Install Hold Down Bar



! Assemble the Hold Down Bar on the right side of the unit first (Valco button)

Using Locking Bar



! To release the Locking Bar press the locking mechanism inwards and lift up, to lock the Locking Bar press down until you hear a click.

